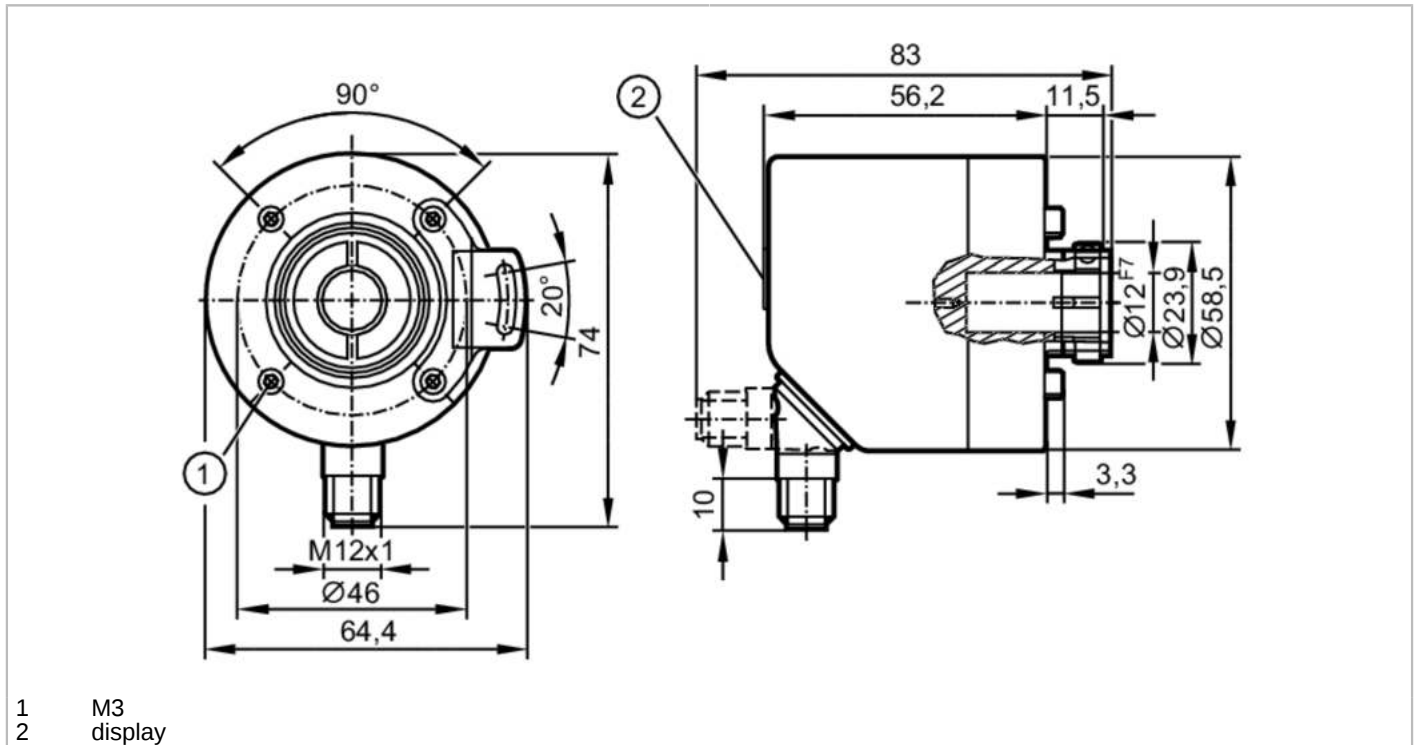


ROP520



Incremental encoder with hollow shaft and display

INCREMENTAL ENCODER PERFORMANCE LINE



- 1 M3 display
- 2 display



Product characteristics

Resolution	1...10000; (parameterisable; Factory setting: 1024) resolution
Communication interface	IO-Link
Shaft design	hollow shaft open to one side
Shaft diameter [mm]	12

Application

Function principle	incremental
Detection system	magnetic
Application	encoder; Speed monitor; counter

Electrical data

Operating voltage [V]	4.75...30 DC
Current consumption [mA]	< 350
Protection class	III
Reverse polarity protection	yes
Max. revolution electrical [U/min]	12000

Outputs

Electrical design	HTL/TTL
Switching frequency [kHz]	1000
Factory setting	Output function: HTL (50 mA)
Short-circuit protection	yes
Phase difference A and B [°]	90

Measuring/setting range

Resolution	1...10000; (parameterisable; Factory setting: 1024) resolution
------------	--

ROP520



Incremental encoder with hollow shaft and display

INCREMENTAL ENCODER PERFORMANCE LINE

Speed monitor		
Set point SP	-9994...9999 U/min	-166.6...166.7 Hz
Reset point rP	-9999...9994 U/min	-166.7...166.6 Hz
Counter		
Preset point	1...9999	
Accuracy / deviations		
Accuracy	[°]	0.1
Software / programming		
Parameter setting options	encoder; Resolution; direction of rotation; HTL; TTL; Speed monitor; Resolution	
Interfaces		
Communication interface	IO-Link	
Transmission type	COM2 (38,4 kBaud)	
IO-Link revision	1.1	
SIO mode	yes	
Min. process cycle time	[ms]	2.3
Operating conditions		
Ambient temperature	[°C]	-40...85
Storage temperature	[°C]	-40...85
Max. relative air humidity	[%]	95; (condensation not permissible)
Protection	IP 65; (on the housing: IP 67; on the shaft: IP 65)	
Tests / approvals		
Shock resistance	100 g	
Vibration resistance	20 g	
MTTF	[years]	218
Mechanical data		
Weight	[g]	478.5
Dimensions	[mm]	Ø 58.5 / L = 69
Materials	flange: aluminium; housing: stainless steel (1.4521 / 444); display window: PEI	
Max. revolution, mechanical [U/min]	12000	
Max. starting torque	[Nm]	2
Reference temperature torque	[°C]	20
Shaft design	hollow shaft open to one side	
Shaft diameter	[mm]	12
Shaft material	stainless steel	
Installation depth of shaft	[mm]	27
Max. axial shaft misalignment	[mm]	0,5
Displays / operating elements		
Display	10-segment display, red/green 4-digit parameterisable	
	2 x LED, yellow	
	5 x LED, green	
Accessories		
Items supplied	Stator coupling: 1	

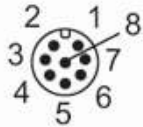


Incremental encoder with hollow shaft and display

INCREMENTAL ENCODER PERFORMANCE LINE

Electrical connection

Connector: 1 x M12, radial, can also be used axially; coding: A; Moulded body: stainless steel (316 / 1.4401); Maximum cable length: 100 m; (IO-Link: max. 20 m)



IO-Link

1	L+
2	not to be used
3	L-
4	IO-Link
5	not to be used
6	not to be used
7	not to be used
8	not to be used
Screen	plug

encoder

1	UB
2	A
3	GND
4	Z/O-Pulse (90 deg)
5	B
6	A-
7	B-
8	Z-
Screen	plug

Preset counter

1	UB
2	IN1
3	GND
4	not to be used
5	OUT1
6	not to be used
7	not to be used
8	not to be used
Screen	plug

Speed monitor

1	UB
2	OUT2
3	GND
4	not to be used
5	OUT1
6	OUT2-
7	OUT1-
8	not to be used
Screen	plug

ROP520

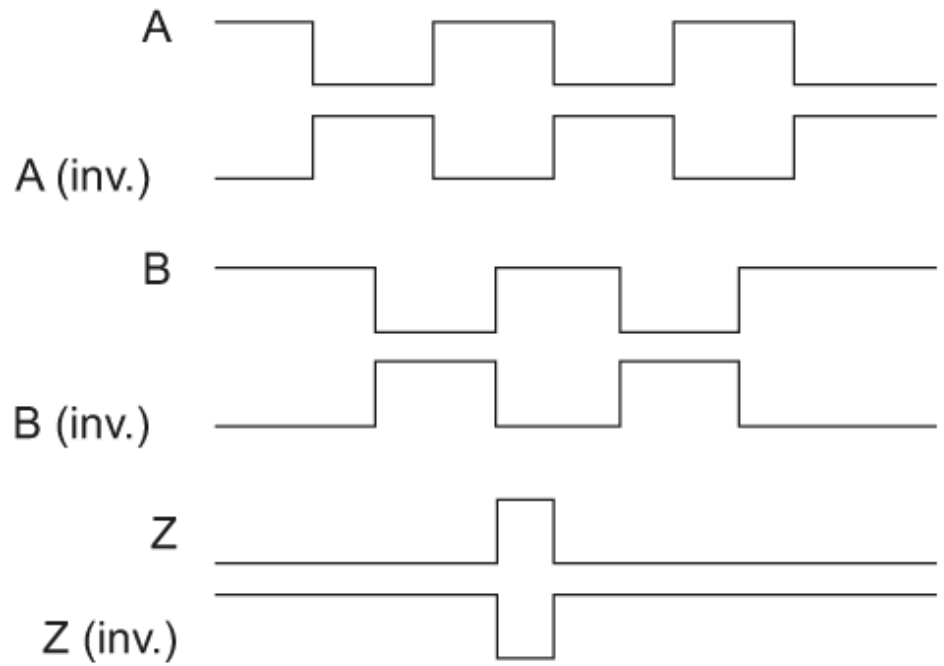


Incremental encoder with hollow shaft and display

INCREMENTAL ENCODER PERFORMANCE LINE

Diagrams and graphs

Pulse diagram



direction of rotation clockwise (looking at the shaft)