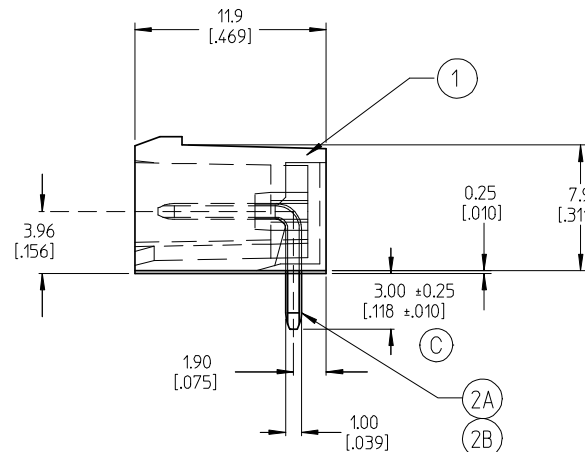
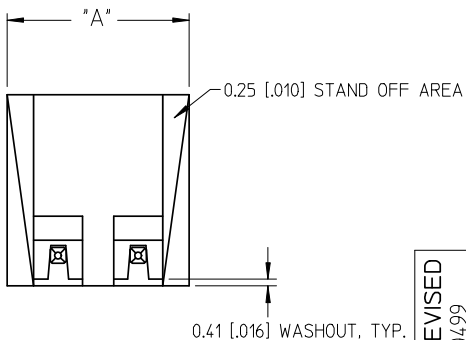
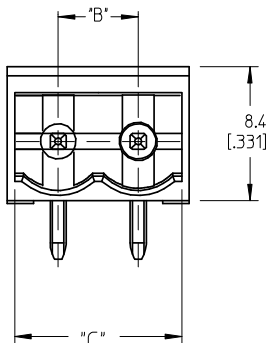


RECOMMENDED PLATED THRU HOLE PATTERN
SCALE 2:1



- NOTES
 1. .0055 INCH/INCH ALLOWABLE BOW
 2. SEE SHEET 2 OF 2 FOR IMPRINTING OPTIONS.
 3. ALL COMPONENTS ARE ROHS COMPLIANT.

2B	"XX"	HEADER PIN	BRASS	GOLD
2A	"XX"	HEADER PIN	BRASS	TIN
1	1	SR BTS	THERMOPLASTIC	BLACK
ITEM	QTY	DESCRIPTION	MATERIAL	FINISH

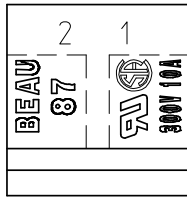
REDRAWN & REVISED
 EC NO: ETC2006-0499
 DRAWN:EHILE 2006/06/27
 CHKD:RDEROSS 2006/06/28
 APPR:RDEROSS 2006/07/03

QUALITY SYMBOLS
 ▽=0
 ▽=0

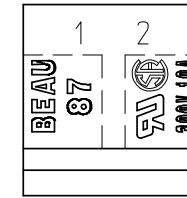
GENERAL TOLERANCES (UNLESS SPECIFIED)	
	mm INCH
4 PLACES	± --- ±.0015
3 PLACES	± 0.038 ±.005
2 PLACES	± 0.13 ±.01
1 PLACE	± 0.3 ± ---
ANGULAR ± 2 °	
DRAFT WHERE APPLICABLE MUST REMAIN WITHIN DIMENSIONS	

DIMENSION STYLE	
MM/IN	
DRAWN BY	DATE
R. KEMP	2002/01/08
CHECKED BY	DATE
P. WALTZ	2002/01/09
APPROVED BY	DATE
L. ROTHHAUS	2002/01/09
MATERIAL NO.	
SEE CHART	
SIZE	
B	

SCALE	DESIGN UNITS	THIRD ANGLE PROJECTION
3:1	INCH	
TITLE		
HEADER, RA, CLOSED END, ASSY, .197 CENTER W/.010 STAND-OFF, HIGH TEMP		
MOLEX INCORPORATED		
DOCUMENT NO.	SHEET NO.	
SD-39870-009	1 OF 2	
THIS DRAWING CONTAINS INFORMATION THAT IS PROPRIETARY TO MOLEX INCORPORATED AND SHOULD NOT BE USED WITHOUT WRITTEN PERMISSION		



IMPRINTING STYLE 11A



IMPRINTING STYLE 10A

# OF CIRCUITS	mm DIM. *A* INCH	mm DIM. *B* INCH	mm DIM. *C* INCH	MATERIAL #. W/ TIN PIN	MATERIAL #. W/GOLD PIN	MATERIAL #. -10A	MATERIAL #. -11A			
02	11.56	.455	5.00	.197	10.59	.417	39870-1402	39871-1402	39872-1402	39873-1402
03	16.56	.652	10.00	.394	15.59	.614	39870-1403	39871-1403	39872-1403	39873-1403
04	21.56	.849	15.00	.591	20.59	.811	39870-1404	39871-1404	39872-1404	39873-1404
05	26.56	1.046	20.00	.787	25.59	1.008	39870-1405	39871-1405	39872-1405	39873-1405
06	31.56	1.243	25.00	.984	30.59	1.205	39870-1406	39871-1406	39872-1406	39873-1406
07	36.56	1.440	30.00	1.181	35.59	1.402	39870-1407	39871-1407	39872-1407	39873-1407
08	41.56	1.637	35.00	1.378	40.59	1.599	39870-1408	39871-1408	39872-1408	39873-1408
09	46.56	1.834	40.00	1.575	45.59	1.796	39870-1409	39871-1409	39872-1409	39873-1409
10	51.56	2.031	45.00	1.772	50.59	1.993	39870-1410	39871-1410	39872-1410	39873-1410
11	56.56	2.228	50.00	1.969	55.59	2.190	39870-1411	39871-1411	39872-1411	39873-1411
12	61.56	2.425	55.00	2.165	60.59	2.387	39870-1412	39871-1412	39872-1412	39873-1412
13	66.56	2.622	60.00	2.362	65.59	2.584	39870-1413	39871-1413	39872-1413	39873-1413
14	71.56	2.819	65.00	2.559	70.59	2.781	39870-1414	39871-1414	39872-1414	39873-1414
15	76.56	3.016	70.00	2.756	75.59	2.978	39870-1415	39871-1415	39872-1415	39873-1415
16	81.56	3.213	75.00	2.953	80.59	3.175	39870-1416	39871-1416	39872-1416	39873-1416

REDRAWN & REVISED EIC NO: ETC2006-0499 DRW:EHILE 2006/06/27 CHK:RDEROSS 2006/06/28 APPR:RDEROSS 2006/07/03	REV DESCRIPTION	QUALITY SYMBOLS	GENERAL TOLERANCES (UNLESS SPECIFIED)	DIMENSION STYLE	SCALE	DESIGN UNITS	THIRD ANGLE PROJECTION	
		$\nabla=0$ $\sphericalangle=0$	mm INCH 4 PLACES \pm --- \pm .0015 3 PLACES \pm 0.038 \pm .005 2 PLACES \pm 0.13 \pm .01 1 PLACE \pm 0.3 \pm --- ANGULAR \pm 2 °	MM/IN	3:1	INCH	DRAWN BY R. KEMP DATE 2002/01/08 CHECKED BY P. WALTZ DATE 2002/01/09 APPROVED BY L. ROTHHAUS DATE 2002/01/09	TITLE HEADER, RA, CLOSED END, ASSY, .197 CENTER W/.010 STAND-OFF, HIGH TEMP
			DRAFT WHERE APPLICABLE MUST REMAIN WITHIN DIMENSIONS	SEE CHART	MOLEX INCORPORATED DOCUMENT NO. SD-39870-009 SHEET NO. 2 OF 2			
				SIZE B THIS DRAWING CONTAINS INFORMATION THAT IS PROPRIETARY TO MOLEX INCORPORATED AND SHOULD NOT BE USED WITHOUT WRITTEN PERMISSION				