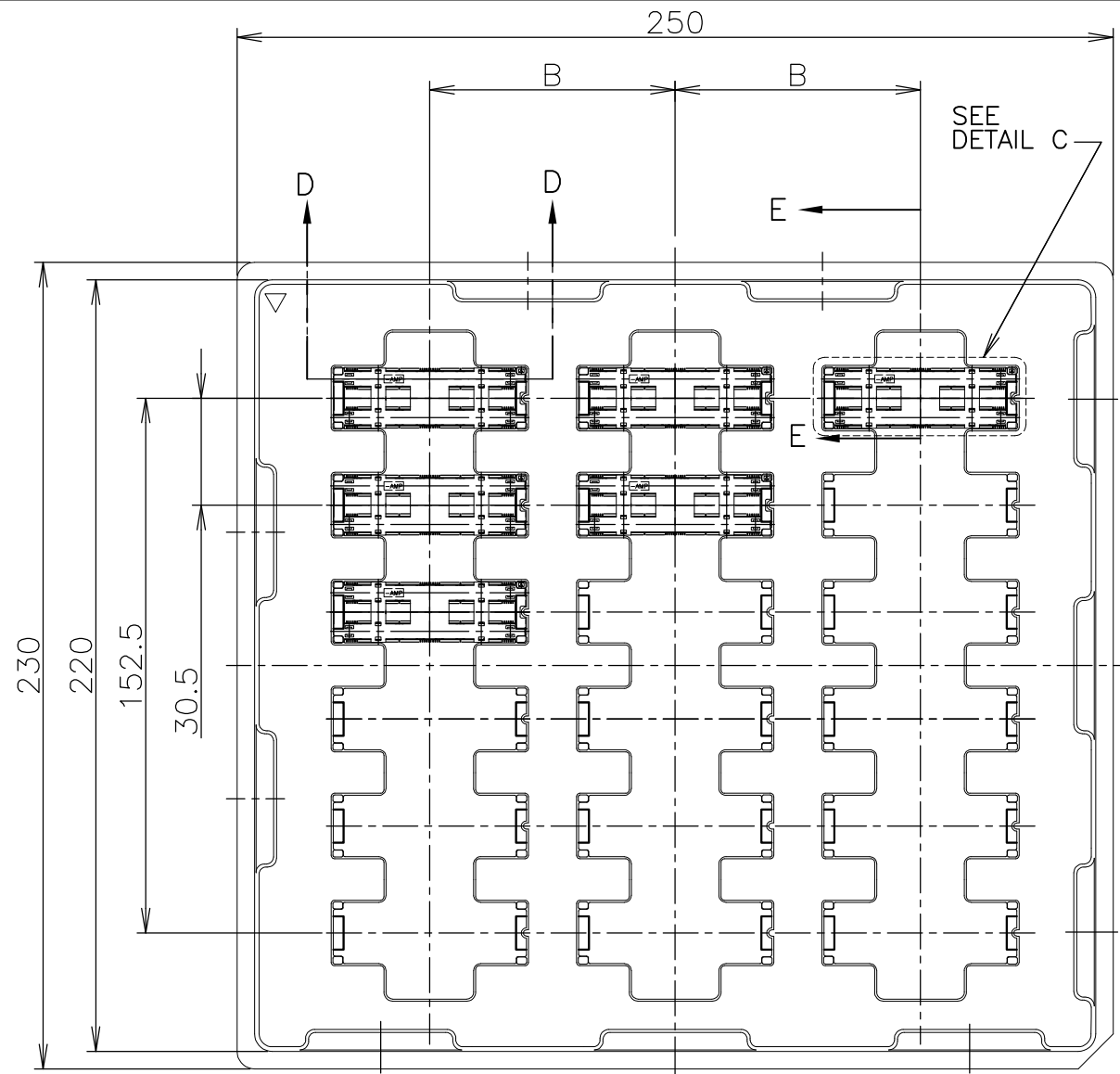


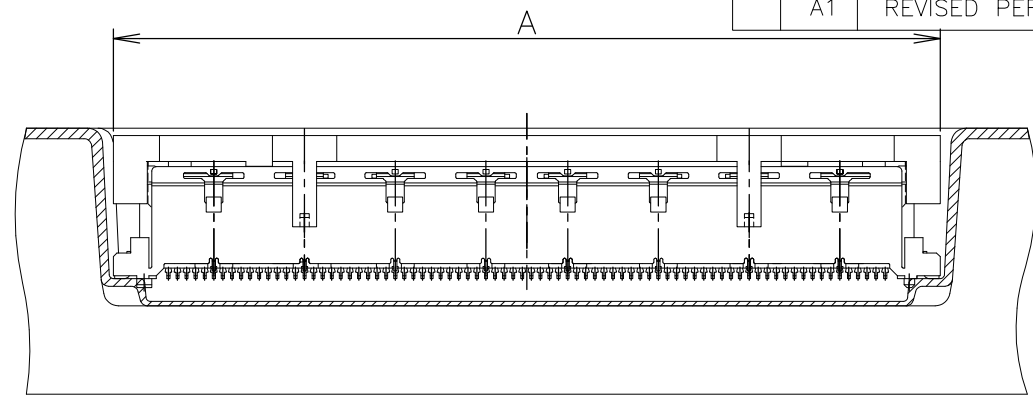
THIS DRAWING IS UNPUBLISHED. RELEASED FOR PUBLICATION NOV, 1998. ALL RIGHTS RESERVED.

© COPYRIGHT 1998 By -

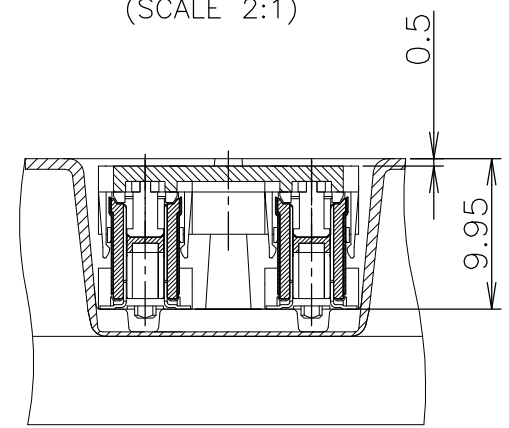
REVISIONS		変更		DATE	DWN	APVD
P	LTR	DESCRIPTION				
	A	REVISED	ECR-08-000339	01FEB08	T.T	T.F
	A1	REVISED PER	ECO-16-002723	02FEB16	B.J	S.Y



AS SHOWN: TYPE-1

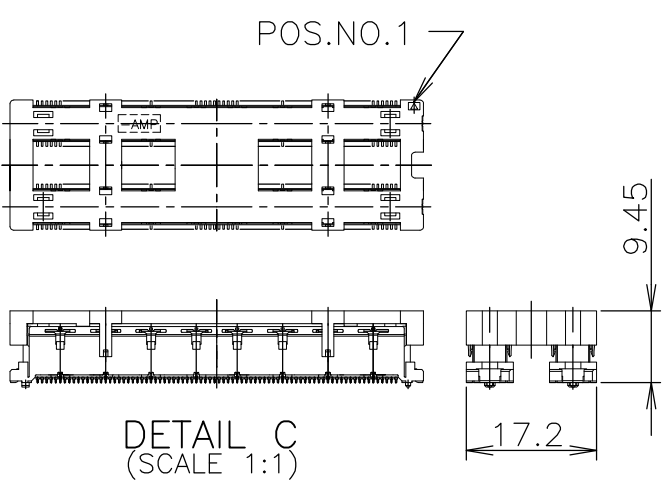
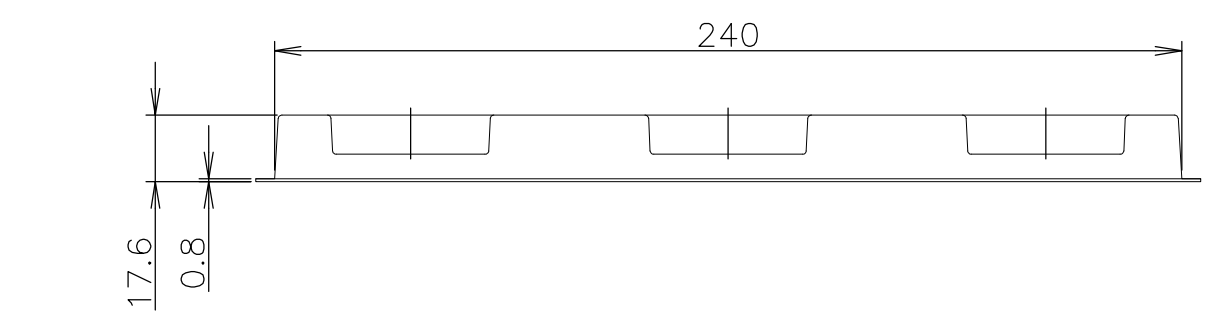
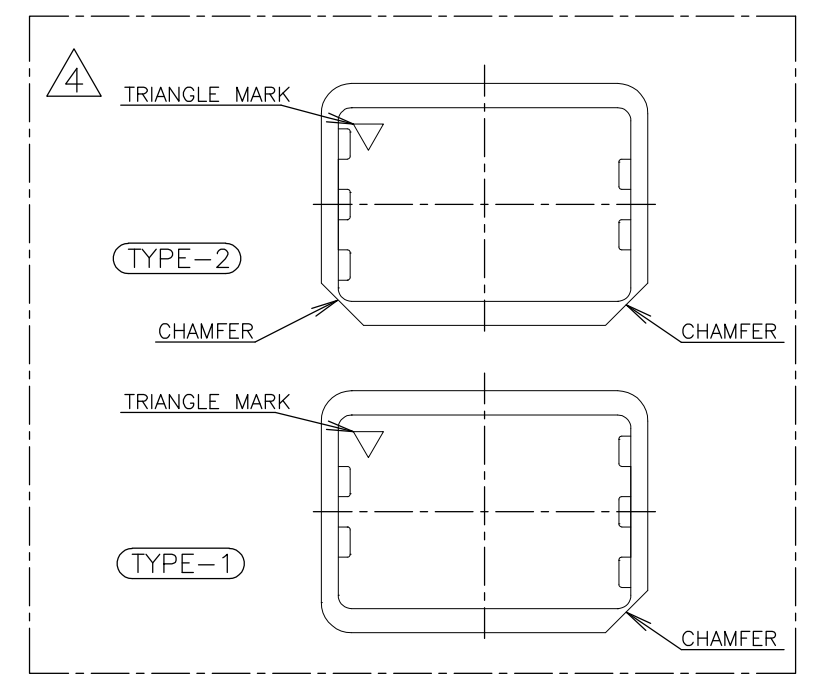


D-D (SCALE 2:1)



E-E (SCALE 2:1)

△ TRAY TYPE-1 AND TYPE-2 MUST BE PILED UP BY TURNS. (REFER TO PACKING SPECIFICATIONS)



GENERAL TOLERANCE  
一般公差

10 ≥	±0.2
30 ≥	>10: ±0.25
100 ≥	>30: ±0.3
ANGLES: ±3°	

THIS DRAWING IS A CONTROLLED DOCUMENT.

DIMENSIONS: 単位: 耗 mm

TOLERANCES UNLESS OTHERWISE SPECIFIED: 一般公差

0 PLC	± -
1 PLC	± -
2 PLC	± -
3 PLC	± -
4 PLC	± -
ANGLES	± -
FINISH	仕上

MATERIAL 材料

Ⓐ OBSOLETE

SEALANT	TOOLING STATUS	ROW	QTY	B	A	POS.	TRAY P/N	PART NO.
AVAILABLE		3	18	70	54.7	320	6-912069-9	6-6318154-1
NOT AVAILABLE		↑	↑	↑	48.7	280	6- ↑ -8	6- ↑ -0
NOT AVAILABLE		↓	↓	↓	42.7	240	6- ↑ -7	5- ↑ -9
NOT AVAILABLE		3	18	70	36.7	200	6- ↑ -6	5- ↑ -8
NON SEALANT		3	18	70	54.7	320	6- ↑ -9	1- ↑ -1
NON SEALANT		↑	↑	↑	48.7	280	6- ↑ -8	1- ↑ -0
NON SEALANT		↓	↓	↓	42.7	240	6- ↑ -7	↑ -9
NON SEALANT		3	18	70	36.7	200	6-912069-6	6318154-8

STE TE Connectivity

SOFT TRAY ASSY  
FH 0.6BTB CONNECTOR  
PLUG 8H W/G-PLATE 2ROW TYPE

DWN HAWKING HE 13DEC04  
CHK STEVEN YAO 13DEC04  
APVD I.ENOMOTO 13DEC04

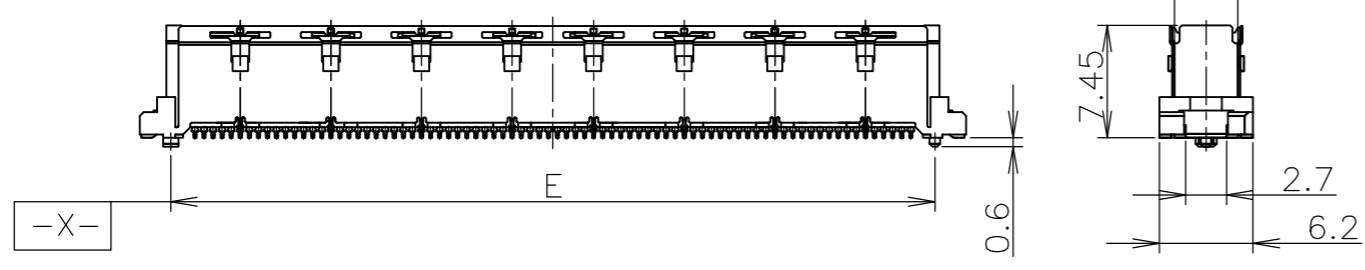
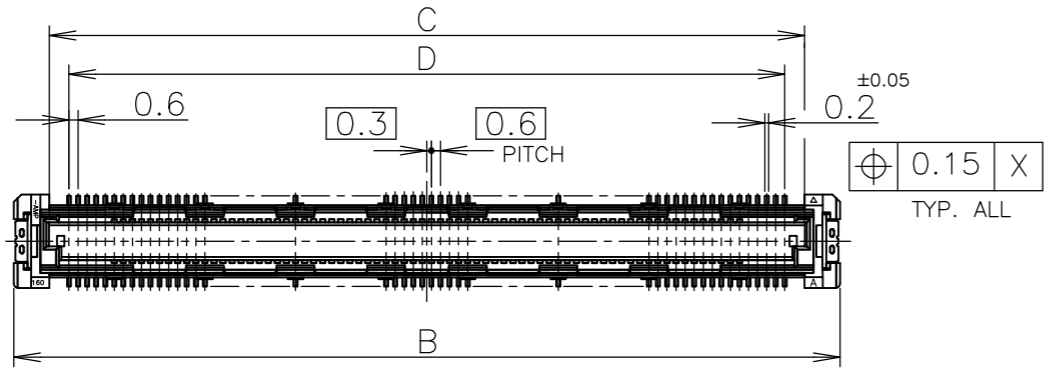
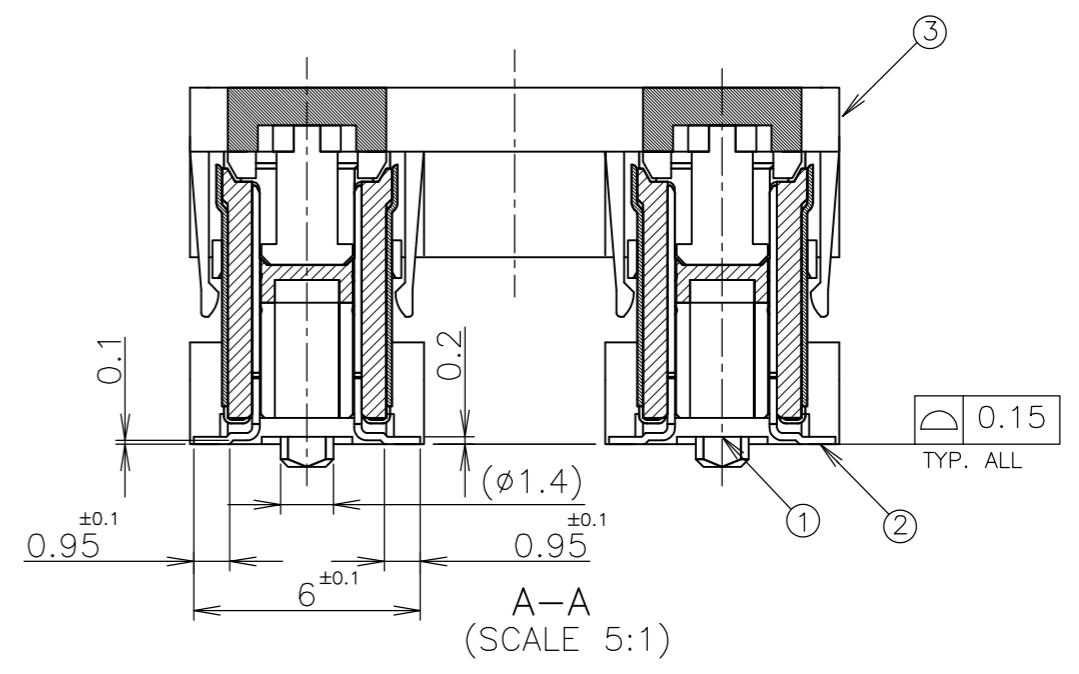
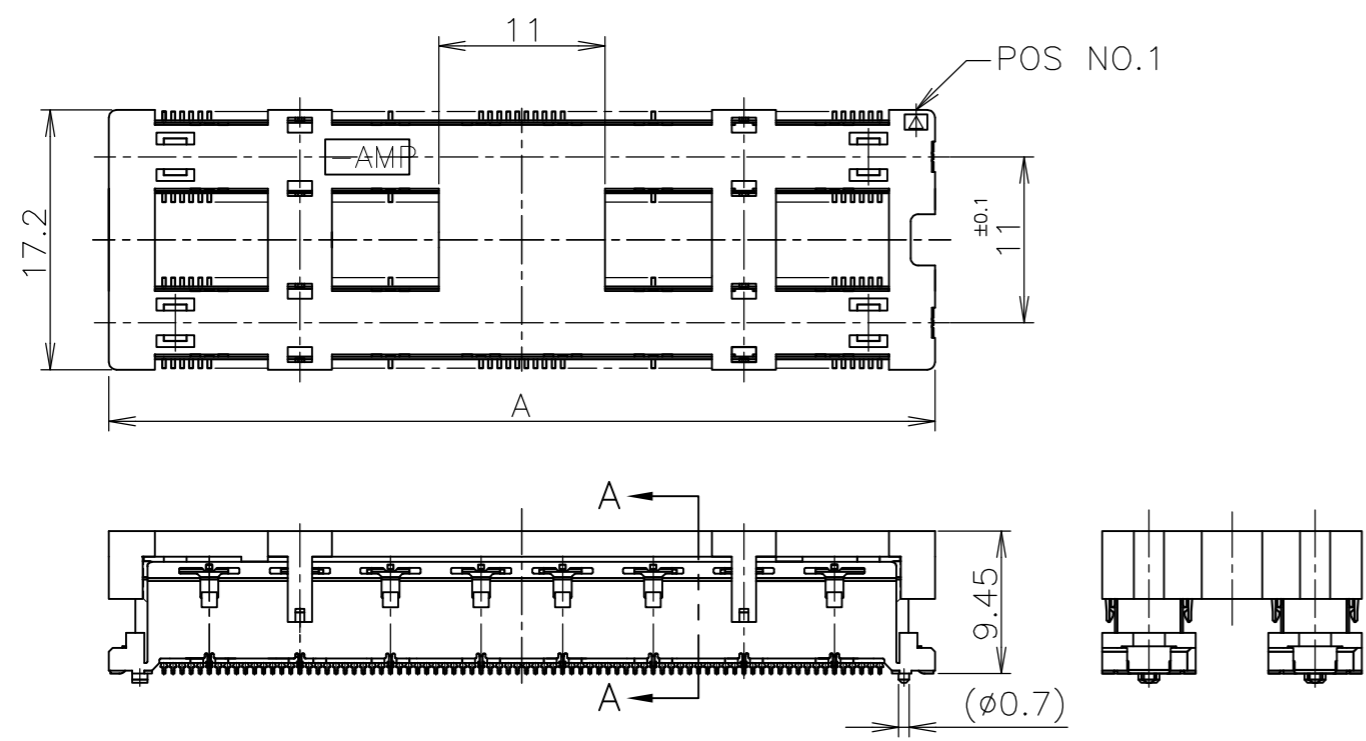
PRODUCT SPEC 製品規格 108-60047  
APPLICATION SPEC 取付適用規格 114-5255

SIZE A3 CAGE CODE 00779 DRAWING NO. 番号 G-6318154 RESTRICTED TO

CUSTOMER DRAWING SCALE 尺度 1:2 SHEET 1 OF 6 REV A1

THIS DRAWING IS UNPUBLISHED. RELEASED FOR PUBLICATION NOV, 1998.  
 © COPYRIGHT 1998 By - ALL RIGHTS RESERVED.

REVISIONS 変更					
P	LTR	DESCRIPTION	DATE	DWN	APVD
-	-	SEE SHEET 1	-	-	-



- ① MATERIAL ; ① HOUSING : HIGH TEMP THERMO PLASTIC UL94V-0 (COLOR : NATURAL)
- ② CONTACT : COPPER ALLOY
- ③ CAP HOUSING : HIGH TEMP THERMO PLASTIC UL94V-0 (COLOR : BLACK)
- ② FINISH ; UNDER PL Ni 0.0013mm MIN ALL OVER.  
CONTACT AREA 0.0002 MIN Au PL.  
SOLDERING AREA 0.001 MIN TIN PL.
- ③ THIS POSITION IS GROUND CIRCUIT.

AVAILABLE	51.8	50.6	47.4	50	54.7	54.7	320	1-	-1
NOT AVAILABLE	45.8	44.6	41.4	44	48.7	48.7	280	1-	-0
NOT AVAILABLE	39.8	38.6	35.4	38	42.7	42.7	240		-9
NOT AVAILABLE	33.8	32.6	29.4	32	36.7	36.7	200		1318156-8
TOOLING STATUS	F	E	D	C	B	A	POS		CAP P/N

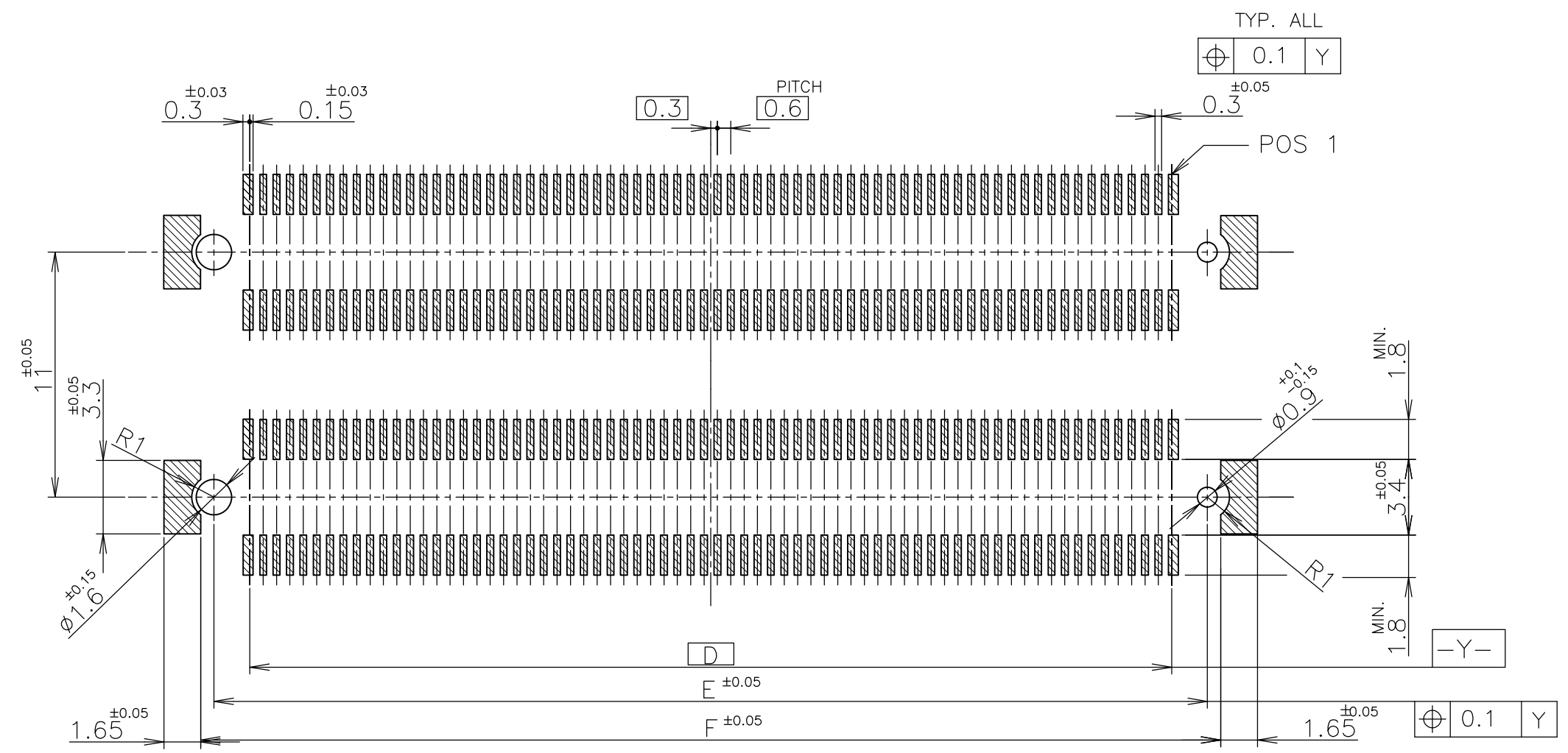
GENERAL TOLERANCE  
一般公差

10 ≥ : ±0.2  
 30 ≥ : >10: ±0.25  
 100 ≥ : >30: ±0.3  
 ANGLES: ±3°

THIS DRAWING IS A CONTROLLED DOCUMENT.		DWN	TE Connectivity NAME 名称 SOFT TRAY ASSY FH 0.6BTB CONNECTOR PLUG 8H W/G-PLATE 2ROW TYPE			
DIMENSIONS: 単位: 耗 mm	TOLERANCES UNLESS OTHERWISE SPECIFIED: 一般公差	CHK				
0 PLC ±-	1 PLC ±-	APVD				
2 PLC ±-	3 PLC ±-	PRODUCT SPEC 製品規格				
MATERIAL 材料	FINISH 仕上	APPLICATION SPEC 取付適用規格	SIZE	CAGE CODE	DRAWING NO 番号	RESTRICTED TO
		WEIGHT	A3	00779	G-6318154	
		CUSTOMER DRAWING	SCALE 尺度	2:1	SHEET 2 of 6	REV A1

THIS DRAWING IS UNPUBLISHED. RELEASED FOR PUBLICATION NOV, 1998.  
 © COPYRIGHT 1998 By - ALL RIGHTS RESERVED.

REVISIONS 変更				
P	LTR	DESCRIPTION	DATE	APVD
-	-	SEE SHEET 1	-	-



REFERENCE P.C.BOARD LAYOUT

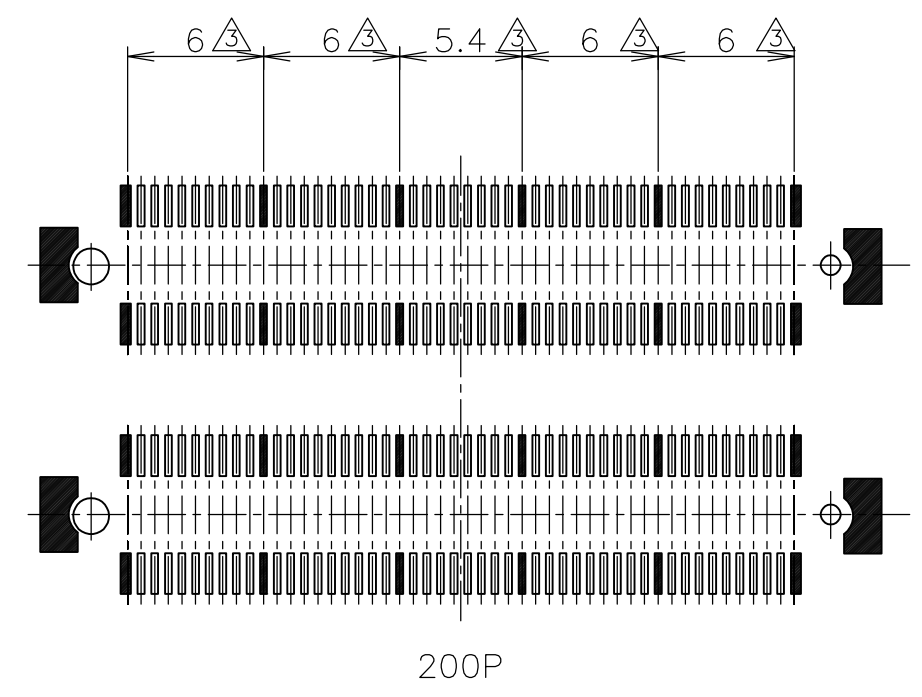
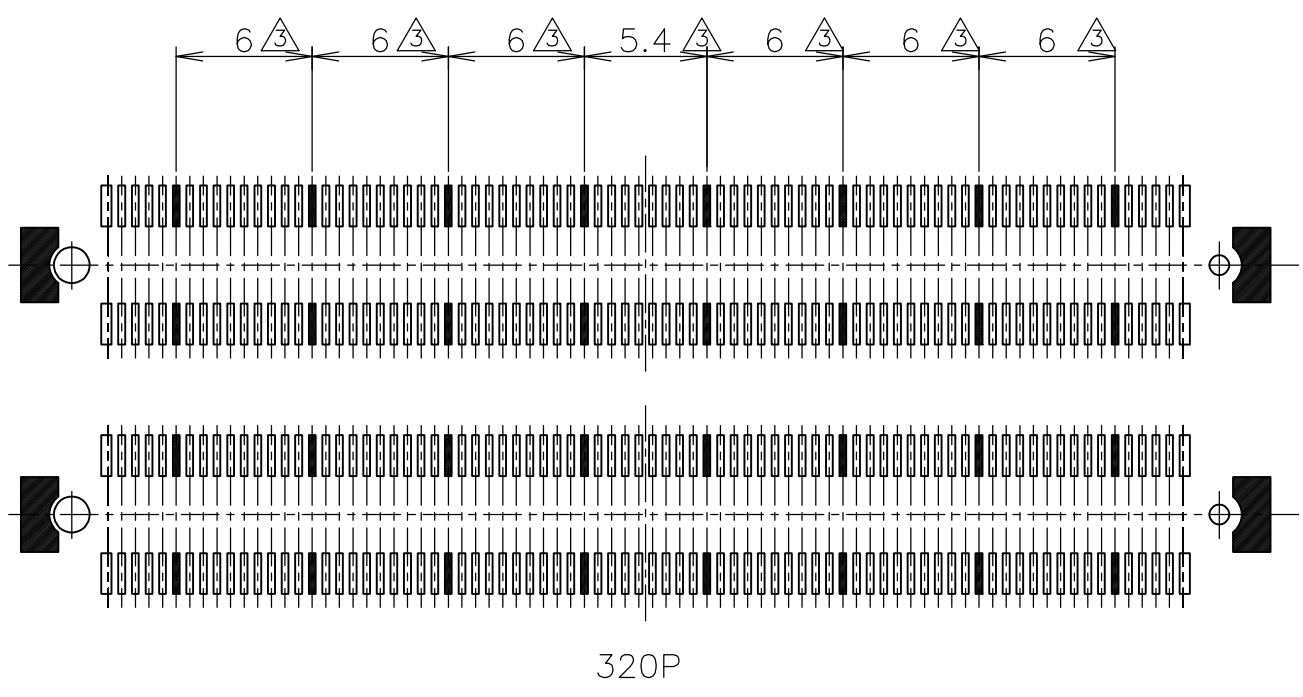
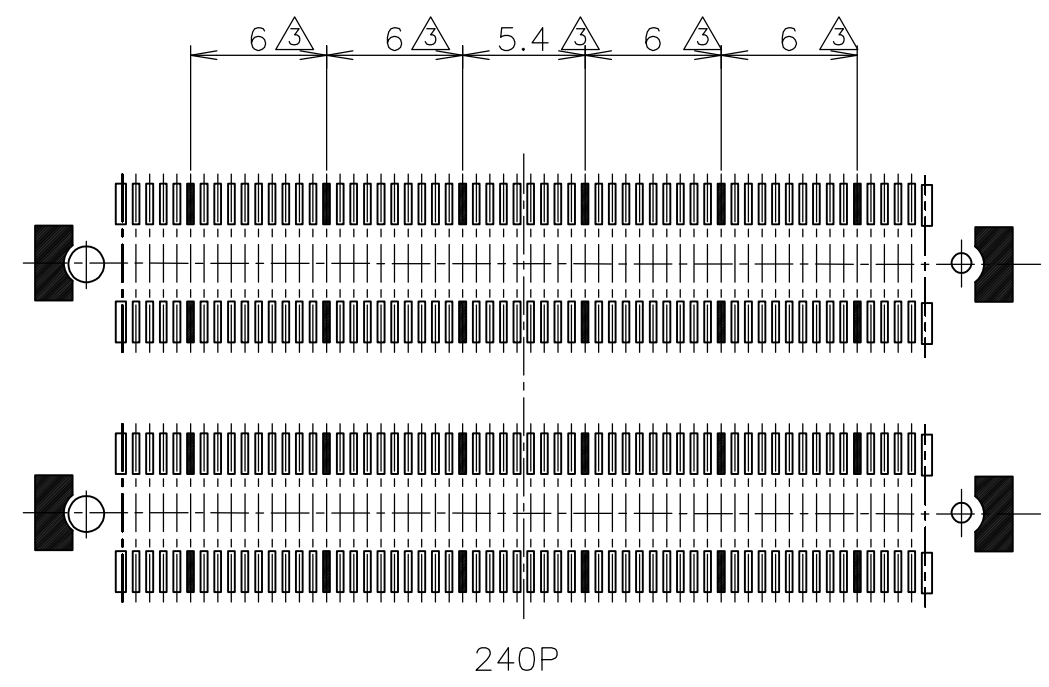
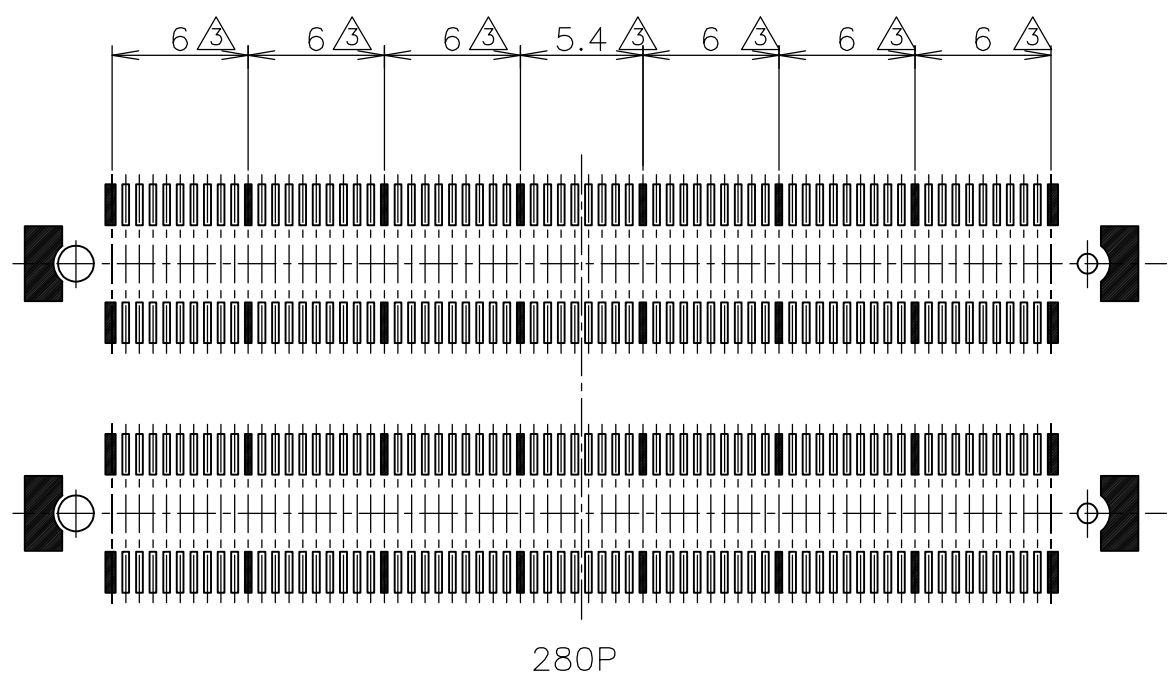
GENERAL TOLERANCE  
一般公差

10 ≥ : ±0.2  
 30 ≥ >10 : ±0.25  
 100 ≥ >30 : ±0.3  
 ANGLES : ±3°

THIS DRAWING IS A CONTROLLED DOCUMENT.		DWN	TE Connectivity		
DIMENSIONS: 単位: 耗 mm		CHK			
TOLERANCES UNLESS OTHERWISE SPECIFIED: 一般公差		APVD	NAME 名称		
0 PLC ± - 1 PLC ± - 2 PLC ± - 3 PLC ± - 4 PLC ± - ANGLES ± -		PRODUCT SPEC 製品規格	SOFT TRAY ASSY		
MATERIAL 材料		APPLICATION SPEC 取付適用規格	FH 0.6BTB CONNECTOR		
FINISH 仕上		WEIGHT	PLUG 8H W/G-PLATE 2ROW TYPE		
CUSTOMER DRAWING		SIZE	CAGE CODE	DRAWING NO 番号	RESTRICTED TO
		A3	00779	G-6318154	
		SCALE 尺度	SHEET	REV	
		4:1	3 OF 6	A1	

THIS DRAWING IS UNPUBLISHED. RELEASED FOR PUBLICATION NOV , 1998.  
 © COPYRIGHT 1998 By - ALL RIGHTS RESERVED.

REVISIONS 変更				
P	LTR	DESCRIPTION	DATE	APVD
-	-	SEE SHEET 1	-	-

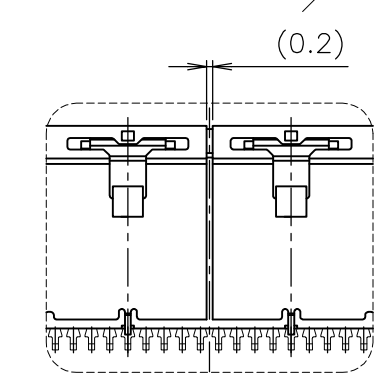
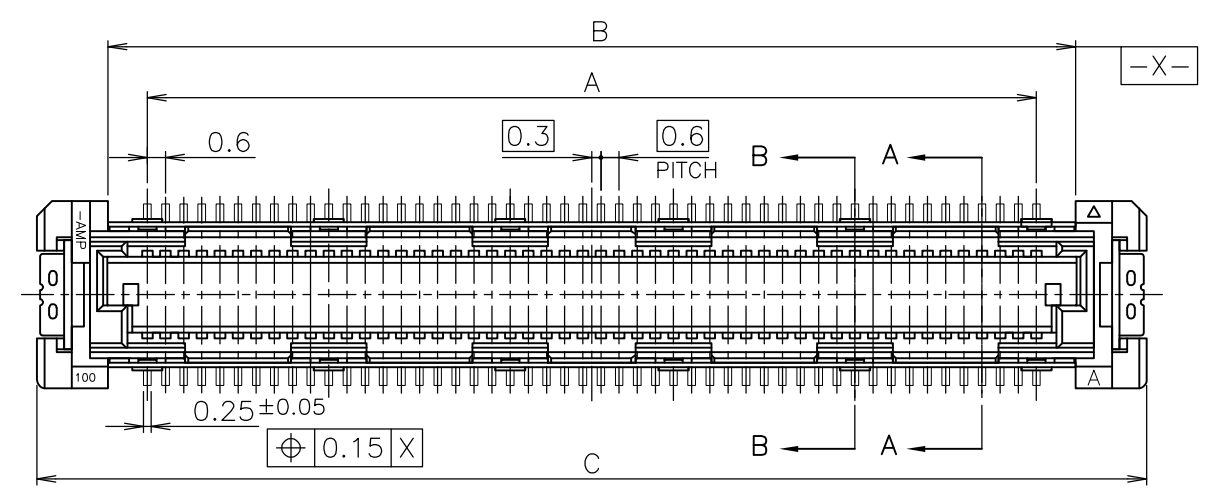


GENERAL TOLERANCE  
一般公差

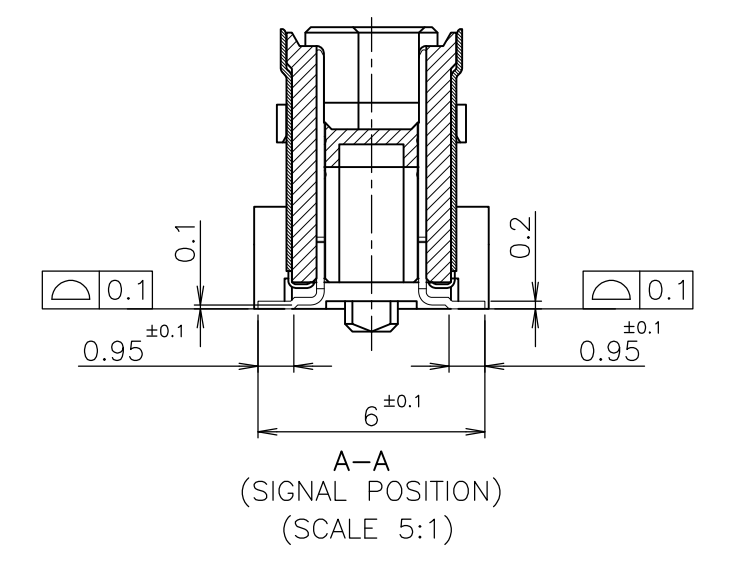
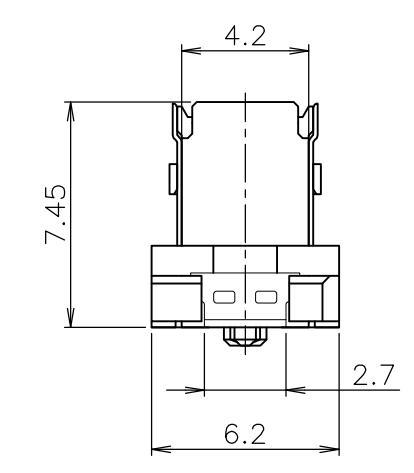
10 ≥ : ±0.2  
 30 ≥ : >10: ±0.25  
 100 ≥ : >30: ±0.3  
 ANGLES: ±3°

THIS DRAWING IS A CONTROLLED DOCUMENT.		DWN	<b>STE</b> TE Connectivity			
DIMENSIONS: 单位: 耗 mm		CHK				
TOLERANCES UNLESS OTHERWISE SPECIFIED: 一般公差		APVD	NAME 名称			
0 PLC ± - 1 PLC ± - 2 PLC ± - 3 PLC ± - 4 PLC ± - ANGLES ± -		PRODUCT SPEC 製品規格	SOFT TRAY ASSY FH 0.6BTB CONNECTOR PLUG 8H W/G-PLATE 2ROW TYPE			
MATERIAL 材料		APPLICATION SPEC 取付適用規格	SIZE	CAGE CODE	DRAWING NO 番号	RESTRICTED TO
FINISH 仕上		WEIGHT	A3	00779	G-6318154	
CUSTOMER DRAWING			SCALE 尺度	SHEET	REV	
			3:1	4 OF 6	A1	

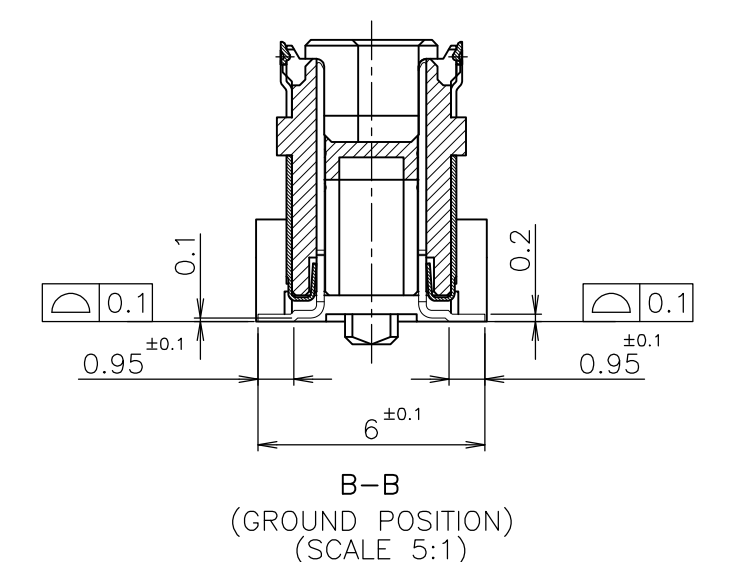
REVISIONS					
P	LTR	DESCRIPTION	DATE	DWN	APVD
-	-	SEE SHEET 1	-	-	-



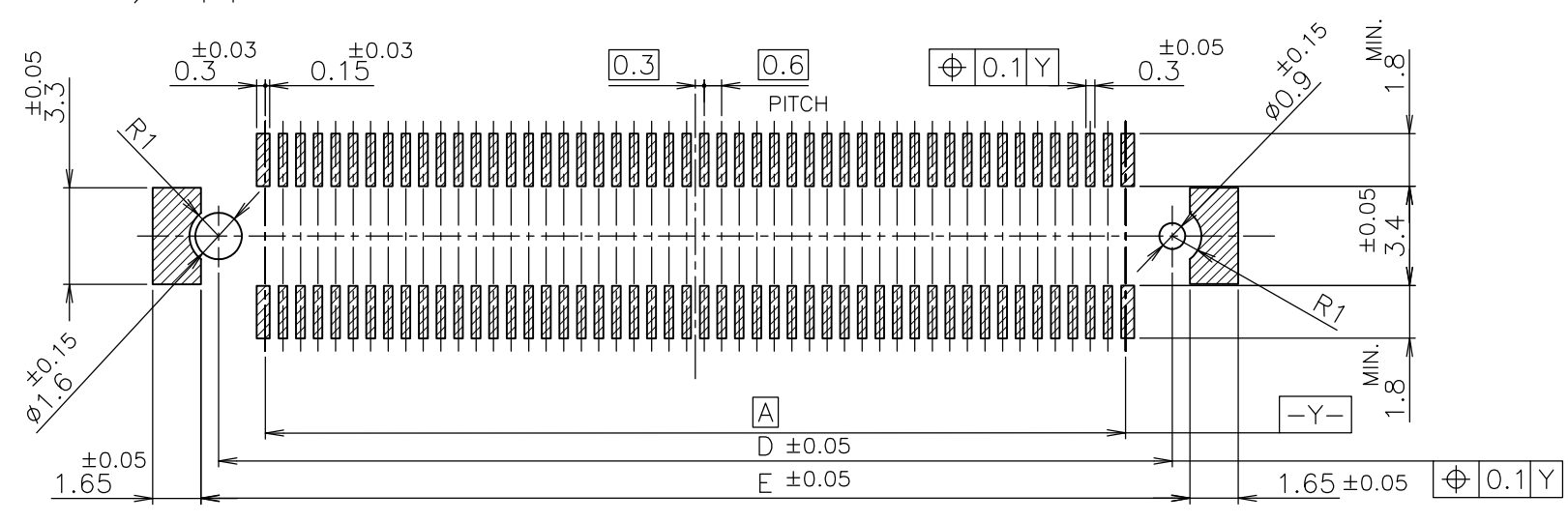
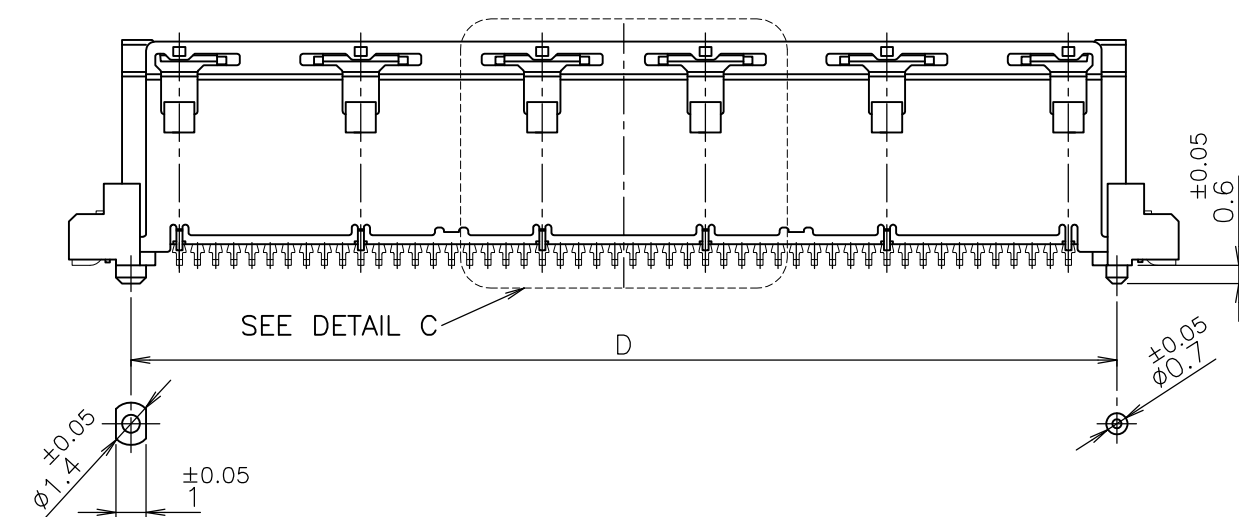
DETAIL C  
180P~240P ONLY



A-A  
(SIGNAL POSITION)  
(SCALE 5:1)



B-B  
(GROUND POSITION)  
(SCALE 5:1)



REFERENCE P.C.BOARD LAYOUT

AVAILABLE	51.8	50.6	54.7	50	47.4	160
AVAILABLE	45.8	44.6	48.7	44	41.4	140
NOT AVAILABLE	39.8	38.6	42.7	38	35.4	120
NOT AVAILABLE	33.8	32.6	36.7	32	29.4	100
TOOLING STATUS	E	D	C	B	A	POS

GENERAL TOLERANCE  
一般公差

10 ≥ ±0.2  
30 ≥ >10: ±0.25  
100 ≥ >30: ±0.3  
ANGLES: ±3°

THIS DRAWING IS A CONTROLLED DOCUMENT.		DWN	TE Connectivity NAME 名称 SOFT TRAY ASSY FH 0.6BTB CONNECTOR PLUG 8H W/G-PLATE 2ROW TYPE		
DIMENSIONS: 单位: 耗 mm		CHK			
TOLERANCES UNLESS OTHERWISE SPECIFIED: 一般公差		APVD			
0 PLC ± - 1 PLC ± - 2 PLC ± - 3 PLC ± - 4 PLC ± - ANGLES ± -		PRODUCT SPEC 製品規格			
MATERIAL 材料		WEIGHT	APPLICATION SPEC 取付適用規格	SIZE	CAGE CODE
FINISH 仕上 1 2		CUSTOMER DRAWING	DRIVING NO 番号	A3	00779
			RESTRICTED TO	G-6318154	
			SCALE 尺度	SHEET	REV
			4:1	5 OF 6	A1

THIS DRAWING IS UNPUBLISHED.

RELEASED FOR PUBLICATION

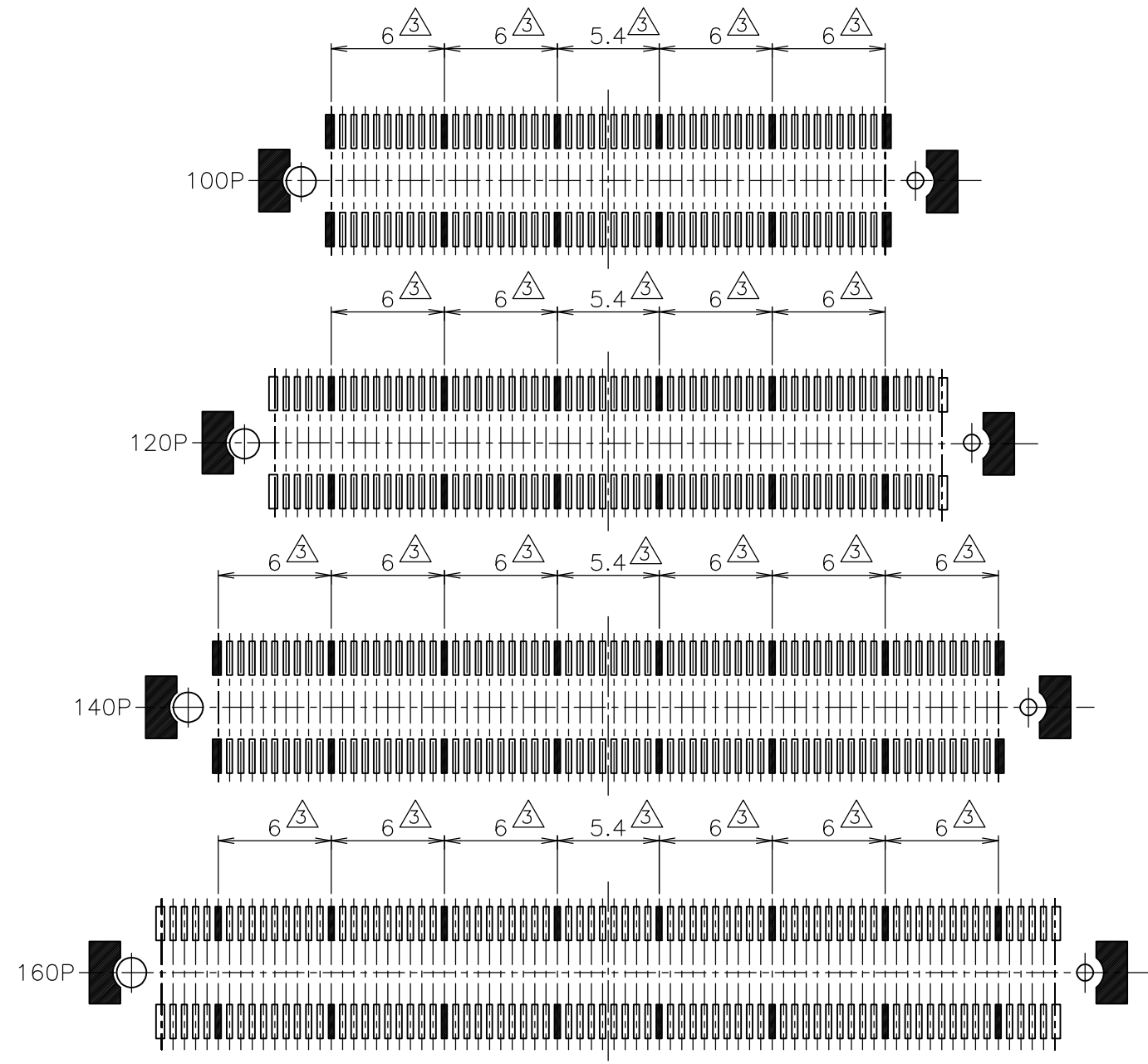
NOV, 1998.

© COPYRIGHT 1998 By -

ALL RIGHTS RESERVED.

REVISIONS  
変更

P	LTR	DESCRIPTION	DATE	DWN	APVD
-	-	SEE SHEET 1	-	-	-



THIS DRAWING IS A CONTROLLED DOCUMENT.

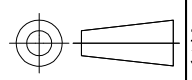
DIMENSIONS:  
単位: 耗  
mm

TOLERANCES UNLESS  
OTHERWISE SPECIFIED:  
一般公差

- 0 PLC ± -
- 1 PLC ± -
- 2 PLC ± -
- 3 PLC ± -
- 4 PLC ± -
- ANGLES ± -

MATERIAL  
材料

FINISH  
仕上



GENERAL TOLERANCE  
一般公差

10 ≥ ±0.2  
30 ≥ >10: ±0.25  
100 ≥ >30: ±0.3  
ANGLES: ±3°

DWN
CHK
APVD
PRODUCT SPEC 製品規格
APPLICATION SPEC 取付適用規格
WEIGHT



NAME  
名称

SOFT TRAY ASSY  
FH 0.6BTB CONNECTOR  
PLUG 8H W/G-PLATE 2ROW TYPE

SIZE	CAGE CODE	DRAWING NO 番号	RESTRICTED TO
A3	00779	G-6318154	

CUSTOMER DRAWING

SCALE 尺度	SHEET	REV
3:1	6 OF 6	A1