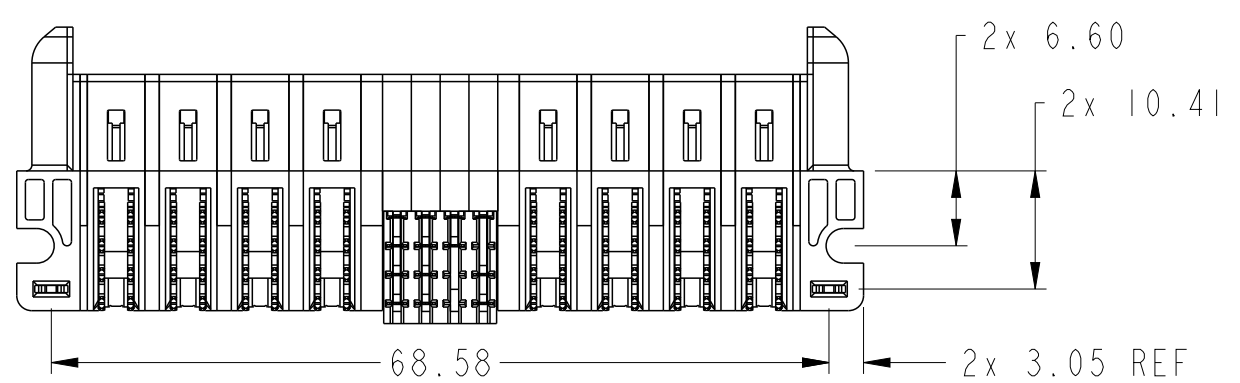
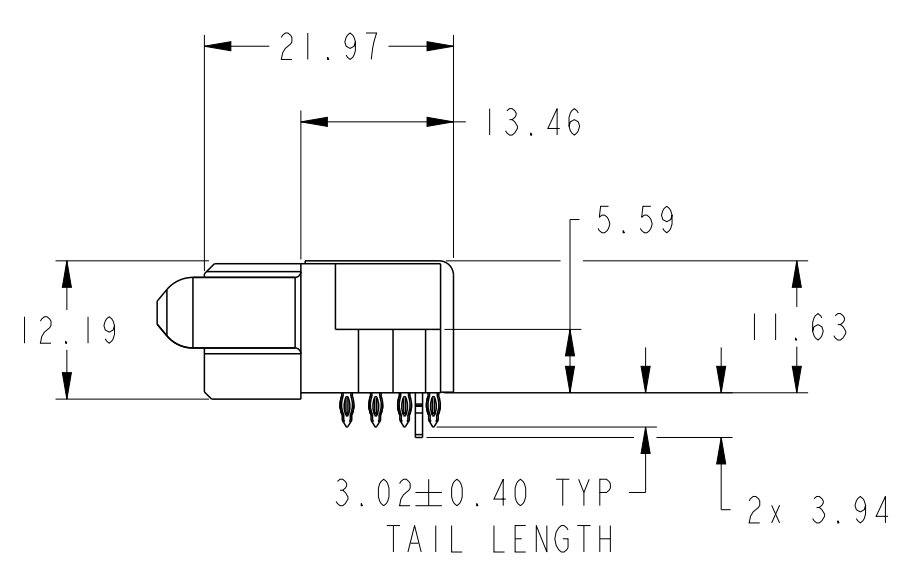
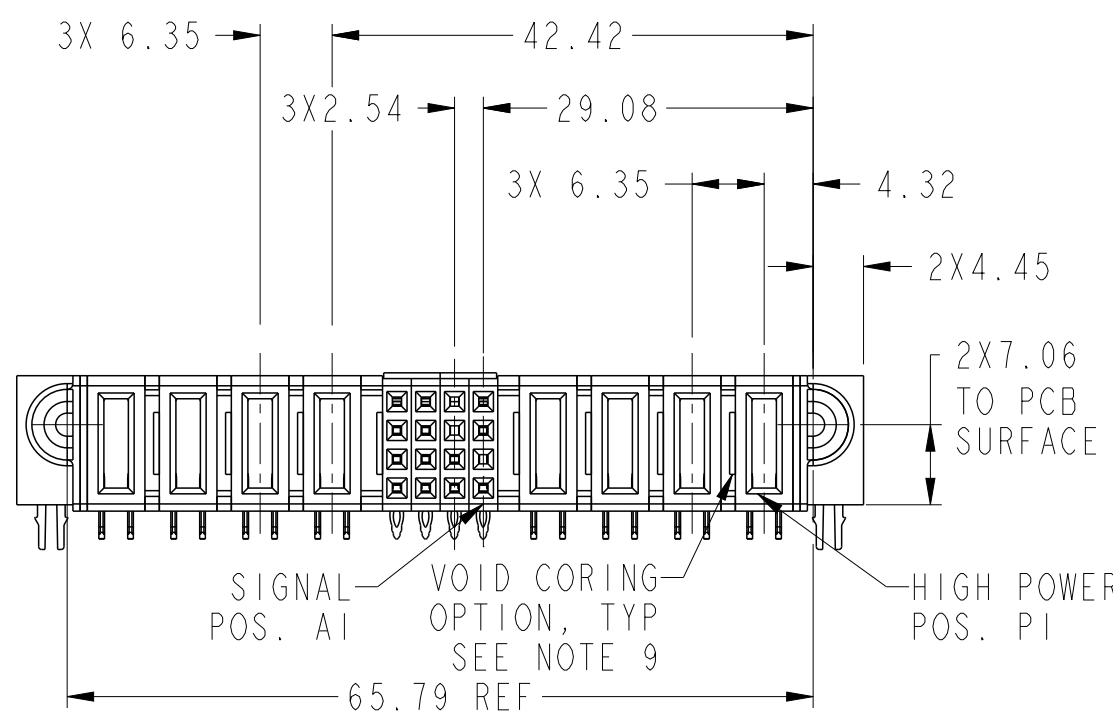
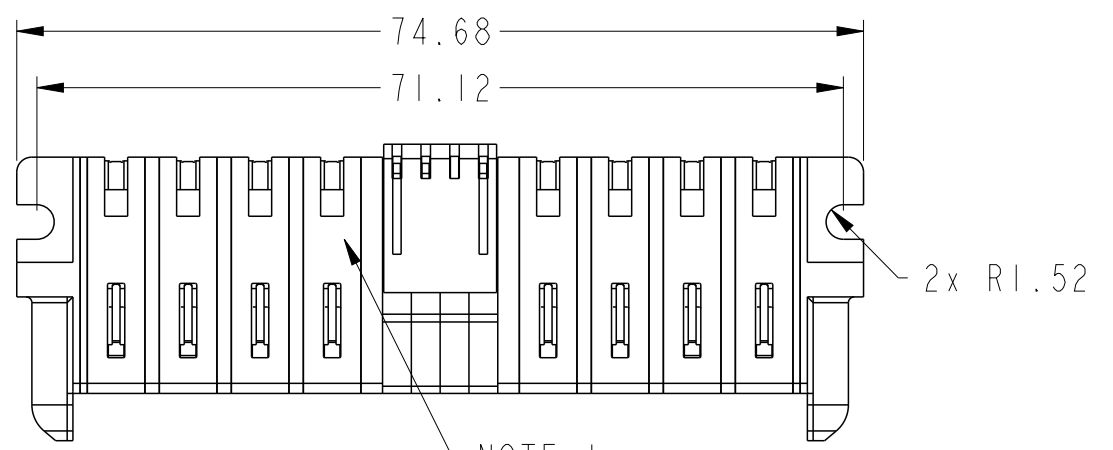


PRODUCT NUMBER SEE SHEET 2



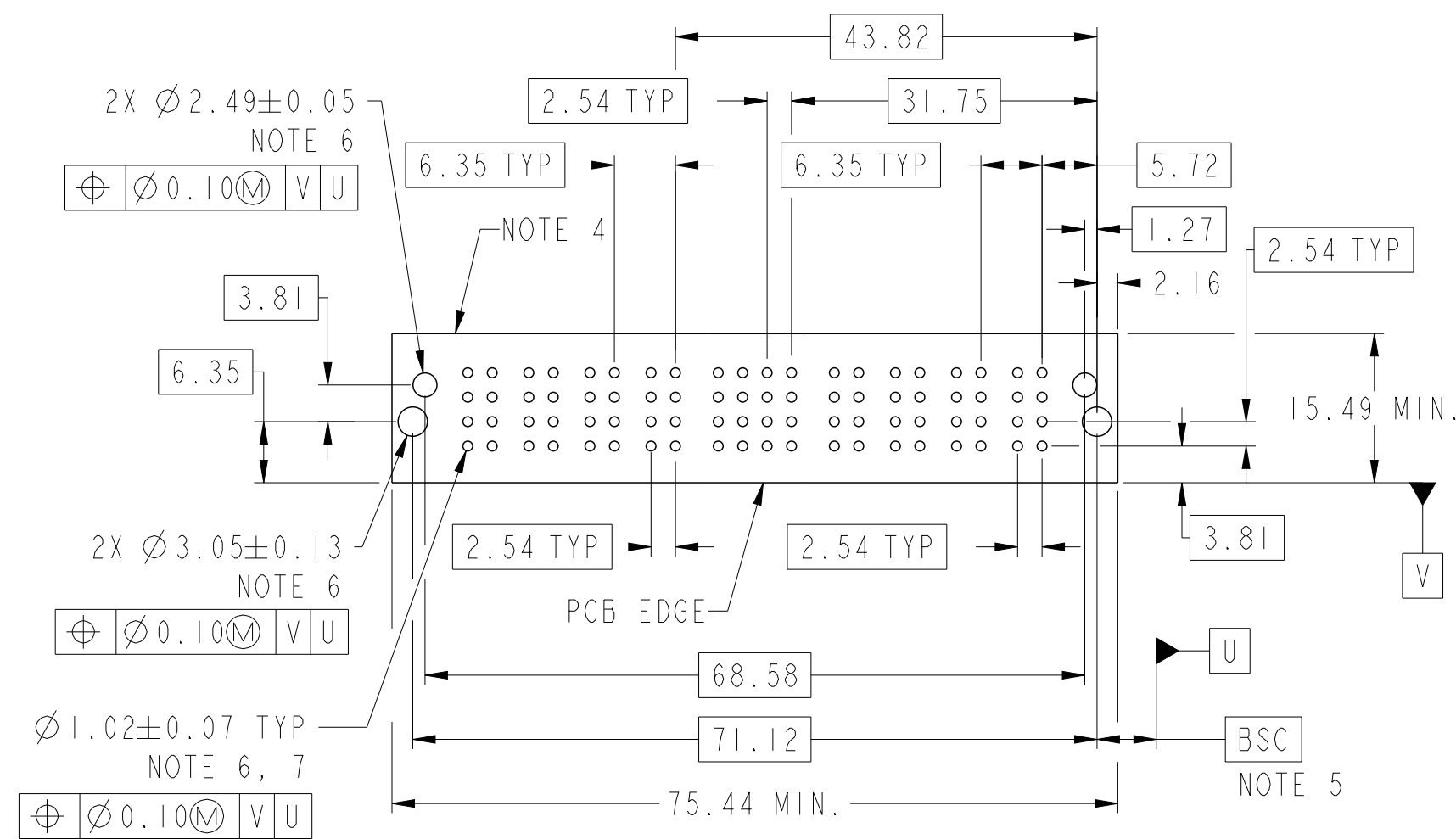
Amphenol FCI

© 2016 AFCI

spec ref	*	dr	Peng-Bing Fu	2013/03/19	projection	MM	size	A3	scale	3:2
tolerance std	ASME Y14.5	eng	Rainbow Zhan	2016/09/14			ecn no	ELX-DG-24941-1	rel level	Released
TOLERANCES UNLESS OTHERWISE SPECIFIED		chr	Fancy Zhang	2016/09/27						
surface	linear	0.X	±0.5	Amphenol FCI www.fci.com	4HP + 16S + 4HP		dwg no 10106127-8004002	rev B	Product - Customer Drw	
		0.XX	±0.25		RA PFRECEPTACLE				sheet 1 of 3	
ASME Y14.5	angular	0°	±2°		cat. no.	Product - Customer Drw				

PRODUCT NO.	ROWS	HIGH POWER				SIGNAL				HIGH POWER				E1	E2
		P8	P7	P6	P5	4	3	2	1	P4	P3	P2	P1		
10106127-8004002LF	DCBA	H7	H7	H5	H5	S	S	X	S	H5	H5	H7	H7		

CODE	DESCRIPTION
H5	MFBL HIGH POWER CONTACT(3.02)
H7	STD HIGH POWER CONTACT(3.02)
HA	METAL HOLD DOWN
N	STD SIGNAL CONTACT, ROW A
P	STD SIGNAL CONTACT, ROW B
R	STD SIGNAL CONTACT, ROW C
S	STD SIGNAL CONTACT, ROW D
X	OMMITE



Amphenol FCI

© 2016 AFCI

spec ref	*	dr	Peng-Bing Fu	2013/03/19	projection	MM	size	A3	scale	3:2										
tolerance std	ASME Y14.5	eng	Rainbow Zhan	2016/09/14			ecn no	ELX-DG-24941-1	rel level	Released										
TOLERANCES UNLESS OTHERWISE SPECIFIED		chr	Fancy Zhang	2016/09/27							product family	PwrBlade+								
surface	linear	appr	Pei-Ming Zheng	2016/09/30			<table border="1"> <tr> <td>0.X</td> <td>±0.5</td> </tr> <tr> <td>0.XX</td> <td>±0.25</td> </tr> <tr> <td>0.XXX</td> <td>±0.10</td> </tr> </table>	0.X	±0.5	0.XX	±0.25	0.XXX	±0.10	<table border="1"> <tr> <td>0°</td> <td>±2°</td> </tr> </table>	0°	±2°	Amphenol FCI 4HP + 16S + 4HP RA PFRECEPTACLE www.fci.com	cat. no. Product - Customer Drw	dwg no 10106127-8004002	rev B
0.X	±0.5																			
0.XX	±0.25																			
0.XXX	±0.10																			
0°	±2°																			
ASME Y14.5	angular	sheet 2 of 3		PDS: Rev :B		STATUS:Released		Printed: Sep 30, 2016												

NOTES:

- 1) "FCI", PART NUMBER AND DATE CODE TO BE MARKED ON THIS SURFACE.
THE MARK CAN BE OMITTED IF THERE IS NOT ENOUGH SPACE ON THIS SURFACE.
- 2) MATERIALS:
-HOUSING - GLASS FILLED WITH HIGH TEMP THERMOPLASTIC, UL94V-0.
-SIGNAL CONTACT - COPPER ALLOY.
-POWER CONTACT - HIGH CONDUCTIVITY COPPER ALLOY.
- 3) PLATING SPECIFICATION REFER TO FCI 10116351
- 4) DENOTES CONNECTOR KEEP OUT ZONE.
- 5) DATUM AND BASIC DIMENIONS WERE ESTABLISHED BY CUSTOMER.
- 6) ALL HOLE DIAMETERS ARE FINISHED HOLE SIZES.
- 7) 1.15 ± 0.025 MM DRILLED HOLE PLATED WITH 0.00762 MM MIN Sn
OVER 0.0254 - 0.0762 MM Cu PLATING TO ACHIEVE A 1.02 ± 0.07 MM HOLE.
- 8) PRODUCT SPECIFICATION REFER TO FCI GS-12-658.
APPLICATION SPECIFICATION REFER TO FCI GS-20-141.
PRODUCT PACKAGED IN TRAYS, REFER TO FCI GS-14-1502.
- 9) THE VOID CORING IN BETWEEN POWER MODULES, SIGNAL
MODULES AND END MODULES ARE OPTIONAL AND THE SHAPE
MAY BE DIFFERENT FOR OPTIMIZE THE MOLDING PROCESS. THE
VOID CORING WILL NOT EFFECT TO PRODUCT FUNCTION.



dr	Peng-Bing Fu	2013/03/19	projection 	MM 	size	A3	scale	3:2	
eng	Rainbow Zhan	2016/09/14			ecn no	ELX-DG-24941-1			
chr	Fancy Zhang	2016/09/27			product family	PwrBlade+	rel level	Released	
appr	Pei-Ming Zheng	2016/09/30					rel level	Released	
Amphenol FCI		4HP + 16S + 4HP RA PFRECEPTACLE		dwg no 10106127-8004002	rev B				
www.fci.com		cat. no.	Product - Customer Drw		sheet 3 of 3				