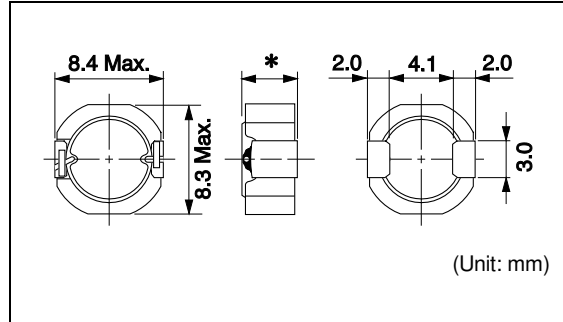


DS85LCB

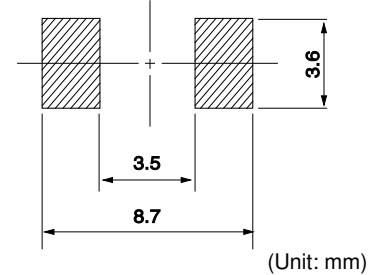


Inductance Range: 1.0~100μH



Note (*) 5.0mm Max. height.

Recommended patterns
推荐焊盘尺寸



FEATURES 特点

- 8.4 × 8.3mm Max. square, 5.0mm Max. height).
- Magnetically shielded construction and low DC resistance.
- Suitable for large currents.
- Operating temperature : -40~+85°C
- 最大8.4×8.3毫米的平面，最大高度5.0毫米
- 磁性屏蔽结构和低直流电阻
- 适合大电流
- 使用温度范围：-40~+85°C

STANDARD PART NUMBERS 标准零件号码

TYPE DS85LCB (Quantity/reel; 500 PCS)

零件号码	电感值 ⁽¹⁾	公差	最大直流电阻 ⁽²⁾ (典型)	最大电感值减小电流 ⁽³⁾ (典型)		最大温度上升电流 ⁽³⁾ (典型)
Part Number	Inductance ⁽¹⁾ (μH)	Tolerance (%)	DC Resistance ⁽²⁾ (mΩ) Max. (Typ.)	Inductance Decrease Current ⁽³⁾ (A) Max. (Typ.)		Temperature Rise Current ⁽³⁾ ΔT=40°C (A) Max. (Typ.)
				$\frac{\Delta L}{L} = 10\%$	$\frac{\Delta L}{L} = 30\%$	
B1135AS-1R0N=P3	1.0	±30	9.6 (8.0)	7.8 (10.4)	10.1 (13.4)	8.5 (10.0)
B1135AS-1R5N=P3	1.5	±30	11 (9.3)	6.3 (8.4)	8.3 (11.0)	7.6 (9.0)
B1135AS-2R2N=P3	2.2	±30	13 (11)	5.5 (7.3)	7.1 (9.5)	7.3 (8.6)
B1135AS-2R7N=P3	2.7	±30	14 (12)	4.7 (6.3)	6.2 (8.3)	6.5 (7.6)
B1135AS-3R6N=P3	3.6	±30	17 (14)	4.2 (5.6)	5.6 (7.4)	5.5 (6.5)
B1135AS-4R7N=P3	4.7	±30	21 (17)	3.7 (5.0)	4.9 (6.6)	5.1 (6.0)
B1135AS-6R8N=P3	6.8	±30	29 (25)	3.1 (4.1)	4.1 (5.4)	4.0 (4.7)
B1135AS-100M=P3	10	±20	45 (38)	2.4 (3.2)	3.2 (4.3)	3.3 (3.8)
B1135AS-150M=P3	15	±20	64 (53)	2.0 (2.7)	2.6 (3.5)	2.5 (2.9)
B1135AS-220M=P3	22	±20	84 (70)	1.7 (2.3)	2.2 (3.0)	2.3 (2.7)
B1135AS-330M=P3	33	±20	110 (90)	1.4 (1.9)	1.8 (2.4)	1.9 (2.3)
B1135AS-470M=P3	47	±20	150 (125)	1.2 (1.6)	1.5 (2.1)	1.6 (1.9)
B1135AS-680M=P3	68	±20	235 (195)	0.97 (1.3)	1.3 (1.7)	1.3 (1.5)
B1135AS-101M=P3	100	±20	330 (275)	0.79 (1.1)	1.1 (1.4)	1.1 (1.3)

(1) Inductance is measured with a LCR meter 4284A (Agilent Technologies) or equivalent. Test frequency at 100kHz

(2) DC resistance is measured with 34420A (Agilent Technologies) or 3541(HIOKI). (Reference ambient temperature 25°C)

(3) Maximum allowable DC current is that which causes a 10% inductance reduction from the initial value, or coil temperature to rise by 40°C, whichever is smaller. (Reference ambient temperature 20°C)

(1) LCR仪表4284A (Agilent技术)或者功能相同的仪器在100kHz下测试电感值。

(2) 通过数码万用表34420A (Agilent技术) 或者3541(HIOKI)测试直流电阻。(环境温度为25°C)

(3) 允许最大直流电的范围是以下两者中比较小的一个：引起电感值从最初值降低10%，或者线圈温度升高40°C。(参考周围环境温度20°C)。