

THIS DRAWING IS UNPUBLISHED
VERTRAULICHE UNVERÖFFENTLICHE ZEICHNUNG

RELEASE FOR PUBLIKATION
FREI FUER VERÖFFENTLICHUNG

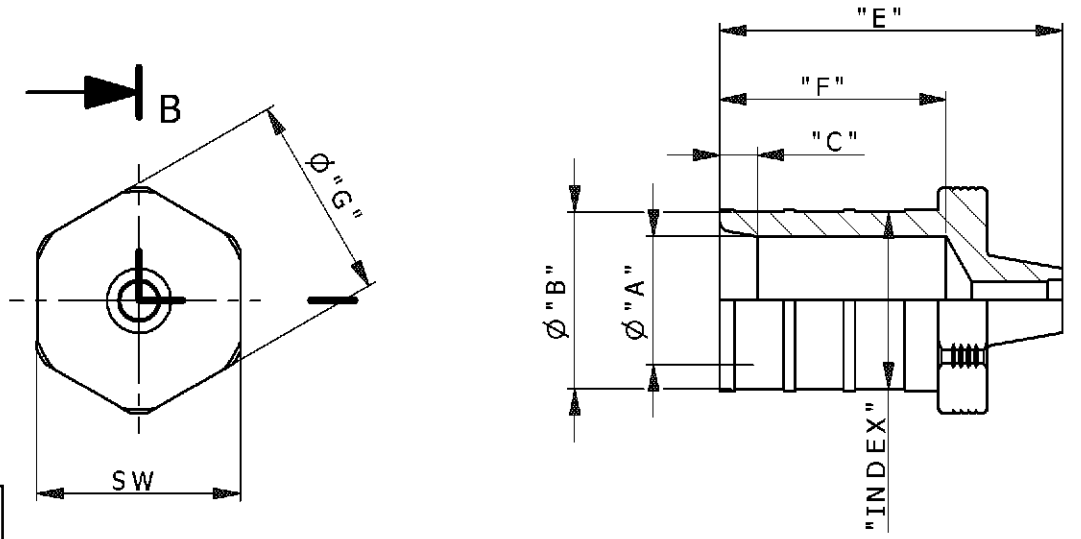
MATED WITH:
PASSEND ZU:

LOC AI
DIST -

REVISIONS
ÄNDERUNGEN

ALL RIGHTS RESERVED
ALLE RECHTE VORBEHALTEN

P	LTR	DESCRIPTION BESCHREIBUNG	DATE	DWN	APVD
A10		ECR-12-003639	10APR12	RK	MKO
A11		ECR-21-123594	03FEB2022	RK	JB



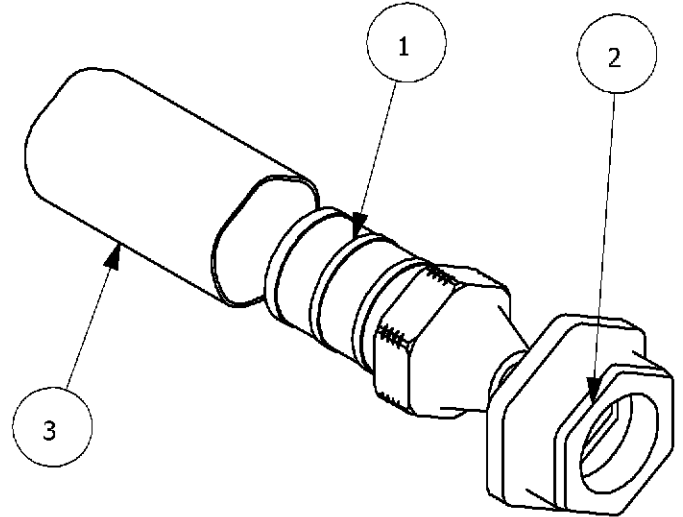
NOTES

- SUITABLE CONTACTS: SERIES HF06
CUSTOMER DRAWING: 11100948, 1110949
- SUITABLE CONTACTS: SERIES HF08
CUSTOMER DRAWING: 1103037, 1103038
- SUITABLE CRIMPING TOOL: HYDR. TOOL 30kN
CUSTOMER DRAWING: 1105653
- SUITABLE CRIMPING TOOL: HYDR. TOOLS 60kN
CUSTOMER DRAWING: 1110956
- DIE SIZE "INDEX" ACC. TO DIN 48083, SEE
CUSTOMER DRAWINGS OF CRIMPING TOOLS
- SHRINK TUBE ACC. TO MIL I-23053 B/5, RATE 3:1
- STANDARDS:
DIN EN 61984; DIN EN 60664-1
- PACKAGING:
10 SETS IN A CARTON

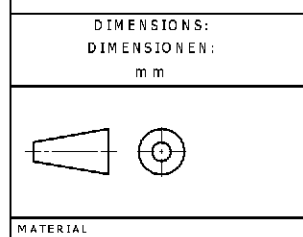
OBSOLETE
OBSOLETE

1-3	1-2	1-1	1-0	0-9	0-8	0-7	0-6	0-5	0-4	0-3	0-2	0-1	DESCRIPTION	ACC.	A	B	C	E	F	G	SW	MATERIAL	SURFACE	WEIGHT (Kg)	ITEM		
-	-	-	-	-	-	-	1	1	1	1	1	1	ADAPTOR	-	-	-	-	-	-	-	-	-	PA	BLACK	0,002	3	
1	1	1	1	1	1	1	-	-	-	-	-	-	SHRINK. TUBE	-	-	-	-	-	-	-	-	-	PO	BLACK	0,003	2	
-	-	-	-	-	-	-	1	1	1	1	1	1	SHRINK. TUBE	-	-	-	-	-	-	-	-	-	PO	BLACK	0,001	2	
-	1	-	-	-	-	-	-	-	-	-	-	-	CRIMP BARREL	-	18,5	25,5	5,0	45,5	30,0	30,0	27	-	COPPER	SILVER PLATED	0,009	WIRE SIZE 185 MM ²	1
-	-	1	-	-	-	-	-	-	-	-	-	-	CRIMP BARREL	14	17,0	23,5	5,0	45,5	30,0	30,0	27	-	COPPER	SILVER PLATED	0,093	WIRE SIZE 150 MM ²	1
-	-	-	1	-	-	-	-	-	-	-	-	-	CRIMP BARREL	16	16,6	23,5	5,0	45,5	30,0	30,0	27	-	COPPER	SILVER PLATED	0,079	WIRE SIZE 140 MM ²	1
-	-	-	-	1	-	-	-	-	-	-	-	-	CRIMP BARREL	14	15,5	21,0	5,0	45,5	30,0	30,0	27	-	COPPER	SILVER PLATED	0,072	WIRE SIZE 120 MM ²	1
-	-	-	-	-	1	-	-	-	-	-	-	-	CRIMP BARREL	14	14,0	19,0	5,0	45,5	30,0	30,0	27	-	COPPER	SILVER PLATED	0,075	WIRE SIZE 105 MM ²	1
-	-	-	-	-	-	1	-	-	-	-	-	-	CRIMP BARREL	12	13,5	19,0	5,0	45,5	30,0	30,0	27	-	COPPER	SILVER PLATED	0,075	WIRE SIZE 95 MM ²	1
-	-	-	-	-	-	-	1	-	-	-	-	-	CRIMP BARREL	12	11,8	16,5	3,0	37,0	21,5	21,5	19	-	COPPER	SILVER PLATED	0,044	WIRE SIZE 70 MM ²	1
1	-	-	-	-	-	-	-	1	-	-	-	-	CRIMP BARREL	10	10,0	14,5	3,0	37,0	21,5	21,5	19	-	COPPER	SILVER PLATED	0,041	WIRE SIZE 50 MM ²	1
-	-	-	-	-	-	-	-	-	1	-	-	-	CRIMP BARREL	8	9,8	14,5	3,0	37,0	21,5	21,5	19	-	COPPER	SILVER PLATED	0,041	WIRE SIZE 48 MM ²	1
-	-	-	-	-	-	-	-	-	-	1	-	-	CRIMP BARREL	8	8,2	12,5	3,0	37,0	21,5	21,5	19	-	COPPER	SILVER PLATED	0,038	WIRE SIZE 35 MM ²	1
-	-	-	-	-	-	-	-	-	-	-	1	-	CRIMP BARREL	6	8,5	12,5	3,0	37,0	21,5	21,5	19	-	COPPER	SILVER PLATED	0,036	WIRE SIZE 30 MM ²	1
-	-	-	-	-	-	-	-	-	-	-	-	1	CRIMP BARREL	5	7,0	10,0	3,0	37,0	21,5	21,5	19	-	COPPER	SILVER PLATED	0,034	WIRE SIZE 25 MM ²	1

PART NO. / QUANTITY													DESCRIPTION	ACC.	A	B	C	E	F	G	SW	MATERIAL	SURFACE	WEIGHT (Kg)	NOTES	ITEM	
													ORDERING TEXT: CH.25.MM ² -13/16MM													1x25mm ² H07V-K	
													ORDERING TEXT: CH.30.MM ² -13/16MM													3x10mm ² RADOX 155, ZYRAD 555, BETATHERM 155	
													ORDERING TEXT: CH.35.MM ² -13/16MM													1x35mm ² LAPP H07V-K UL Style 1015. CSA TEW	
													ORDERING TEXT: CH.48.MM ² -13/16MM													3x16mm ² RADOX 155, ZYRAD 555, BETATHERM 155	
													ORDERING TEXT: CH.50.MM ² -13/16MM													1x50mm ² LAPP H07V-K UL Style 1015. CSA TEW	
													ORDERING TEXT: CH.70.MM ² -13/16MM													1x70mm ² / 2x35mm ² LAPP H07V-K UL Style 1015. CSA TEW	
													ORDERING TEXT: CH.95.MM ² -13/16MM													1x95mm ² H07V-K	
													ORDERING TEXT: CH.105.MM ² -13/16MM													3x35mm ² LAPP H07V-K UL Style 1015. CSA TEW	
													ORDERING TEXT: CH.120.MM ² -13/16MM													1x120mm ² H07V-K	
													ORDERING TEXT: CH.140.MM ² -13/16MM													4x35mm ² LAPP H07V-K UL Style 1015. CSA TEW	
													ORDERING TEXT: CH.150.MM ² -13/16MM													1x150mm ² H07V-K	
													ORDERING TEXT: CH.185.MM ² -13/16MM													1x185mm ² H07V-K	
													ORDERING TEXT: CH. 50.MM ² -13/16MM														



THIS DRAWING IS A CONTROLLED DOCUMENT.



TOLERANCES UNLESS OTHERWISE SPECIFIED: ALLGEMEINTOLERANZEN

n. ISO 8013 - #
n. ISO 2768 - mH-E #
n. DIN 16901 - 140 #

0 PLC #
1 PLC #
2 PLC #
3 PLC #
ANGLES / WINKEL #

DWN	SCHNEIDER	02.01.2006
CHK	BRAUN	02.01.2006
APVD	SCHNURPFEIL	02.01.2006
PRODUCT SPEC. / PRODUKTSPEZ.	108-74024	
APPLICATION SPEC. / VERARBEITUNGSSPEZ.	114-74024	
WEIGHT / GEWICHT	0,001 KG	

TE TE Connectivity

NAME: CRIMP BARREL ASSY HF13, HF16

SIZE: A3 CAGE CODE: 00779 DRAWING NO. / ZEICHNUNGS-NR.: 1110953 RESTRICTED TO NUR FUER

SCALE / MASSSTAB: 1:1 SHEET / BLATT: 1 OF / VON: 1 REV.: A11

CUSTOMER DRAWING / KUNDENZEICHNUNG