
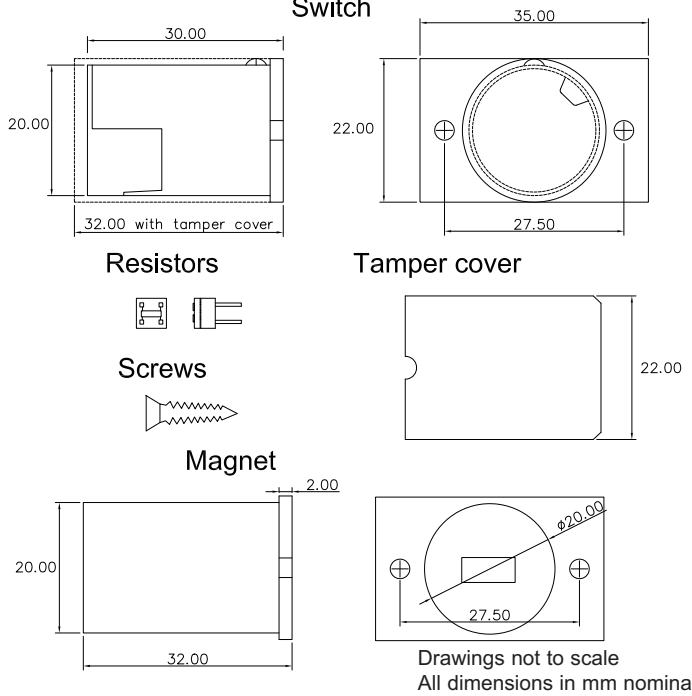


PICTURE	DIMENSIONS
 <p style="color: green; font-weight: bold;">✓ RoHS Compliant</p>	 <p style="font-size: small;">Drawings not to scale All dimensions in mm nominal</p>

SPECIFICATION		
Contact Form		Normally open
Magnetic Protection		Reed based Magnetic interference protection
Switching Voltage	Max Volts DC	15
Switching Current	Max Amps	0.5
Tamper Protection		Yes
Zone Protection		Yes Supervised (EOL)
Operating Gap (approx)	mm	14
Contact Resistance		Fully Adjustable with supplied resistors
Operating Temperature	Celsius	- 40° to 50°
Case Material		High Impact Polystyrene
Case Colour		White

Applications Include	Features
<ul style="list-style-type: none"> Alarm Systems. Appliance switching. Production Automation. Safety Door Guards. 	<ul style="list-style-type: none"> Compatible with many common Alarm systems. Anti tamper feature. Magnetic interference protection. Discreet and easy to install.

Did you know we also sell?


Float Switches


Pressure Switches


Magnets


Proximity Switches


Reed Switches


Reed Relays


Solid State Relays

Rev. No.	Revision Note	Date	Signature
1	Datasheet	10-08-15	ML



As part of the company policy of continued product improvement, specifications may change without notice. Our sales office will be pleased to help you with the latest information on this product range and the details of our full design and manufacturing service. All products are supplied to our standard conditions of sale unless otherwise agreed in writing.

Phone : +44 (0)1255 862236 www.comus-intl.com Fax: +44 (0)1255 862014