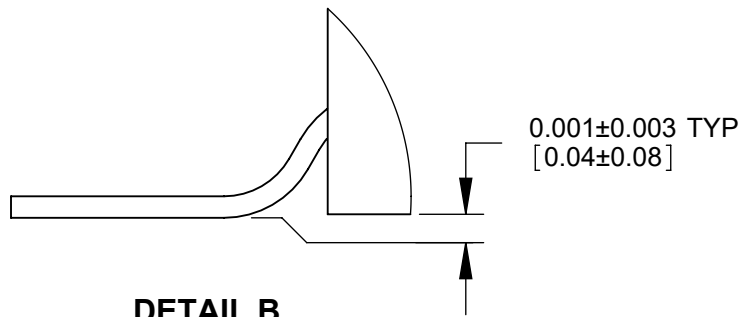
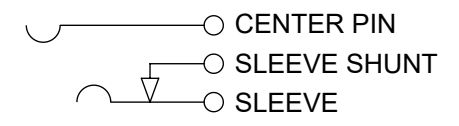
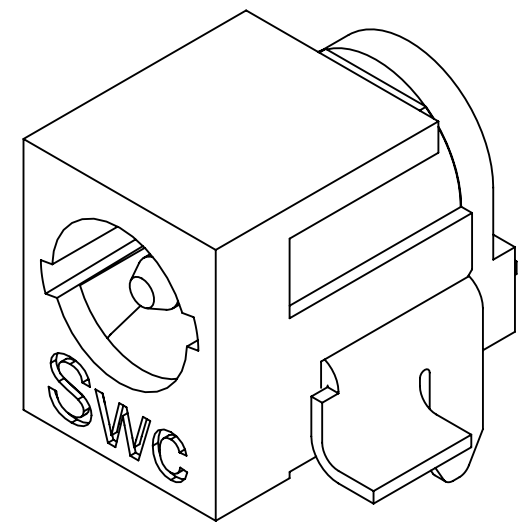
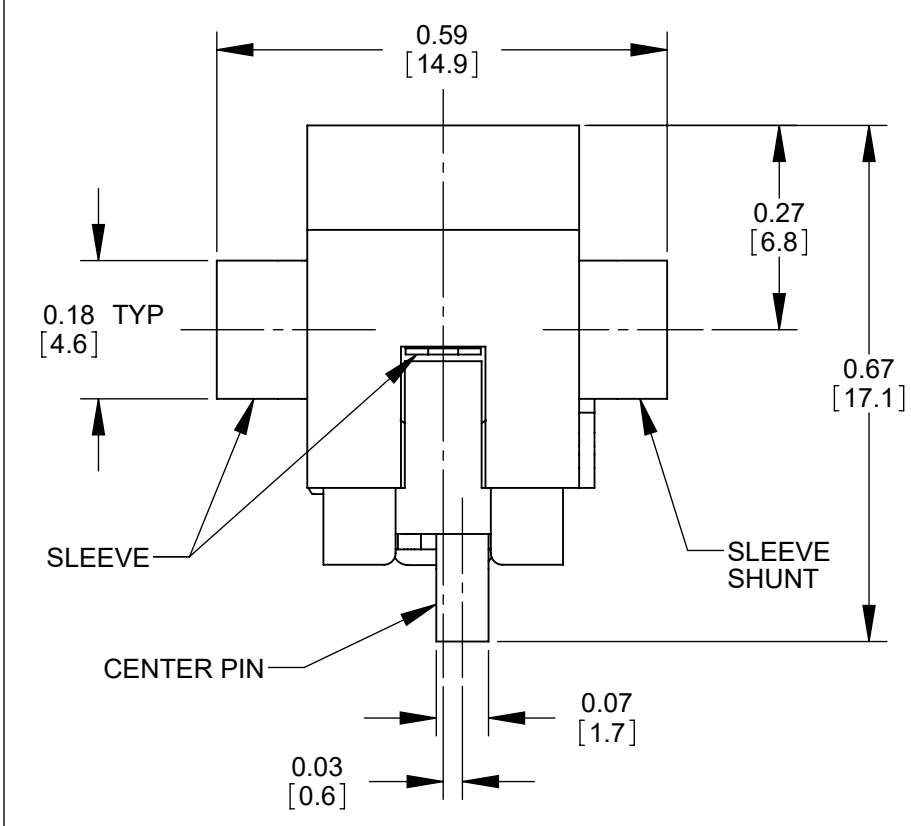


DETAIL A
SCALE 14 : 1



DETAIL B
SCALE 14 : 1



SCHEMATIC

NOTES:

1. THIS PRODUCT IS RoHS COMPLIANT.
2. MATERIALS:
 CENTER PIN: COPPER ALLOY, NICKEL PLATED
 SLEEVE CONTACT: SPRING COPPER ALLOY, SILVER PLATED
 PIN TERMINAL AND SHUNT: COPPER ALLOY, SILVER PLATED
 HOUSING AND COVER: HIGH TEMPERATURE THERMOPLASTIC, BLACK
3. SPECIFICATIONS:
 LIFE: 5000 CYCLES;
 INSERTION FORCE: 5LB [2.3 KG] MAX;
 WITHDRAWL FORCE: 0.5 LB [0.2 KG] MIN;
 CONTACT RESISTANCE: 30 MILLIOHM MAX, 60 MILLIOHM MAX. AFTER TEST;
 INSULATION RESISTANCE: 30 MEGAOHM MIN. @ 100VDC;
 DIELECTRIC WITHSTANDING VOLTAGE: 250VAC FOR 1 MINUTE;
 CURRENT (CARRYING): 5A
 OPERATING TEMPERATURE: -30°C TO +65°C

CUSTOMER DRAWING

REV	ECO NUMBER	DATE	BY	APVD
B	28503	5/18/22	TJK	TJK
A	25775	1/22/07	BS	TJK

STAR SYMBOL DENOTES CRITICAL DIMENSION

UNLESS OTHERWISE SPECIFIED

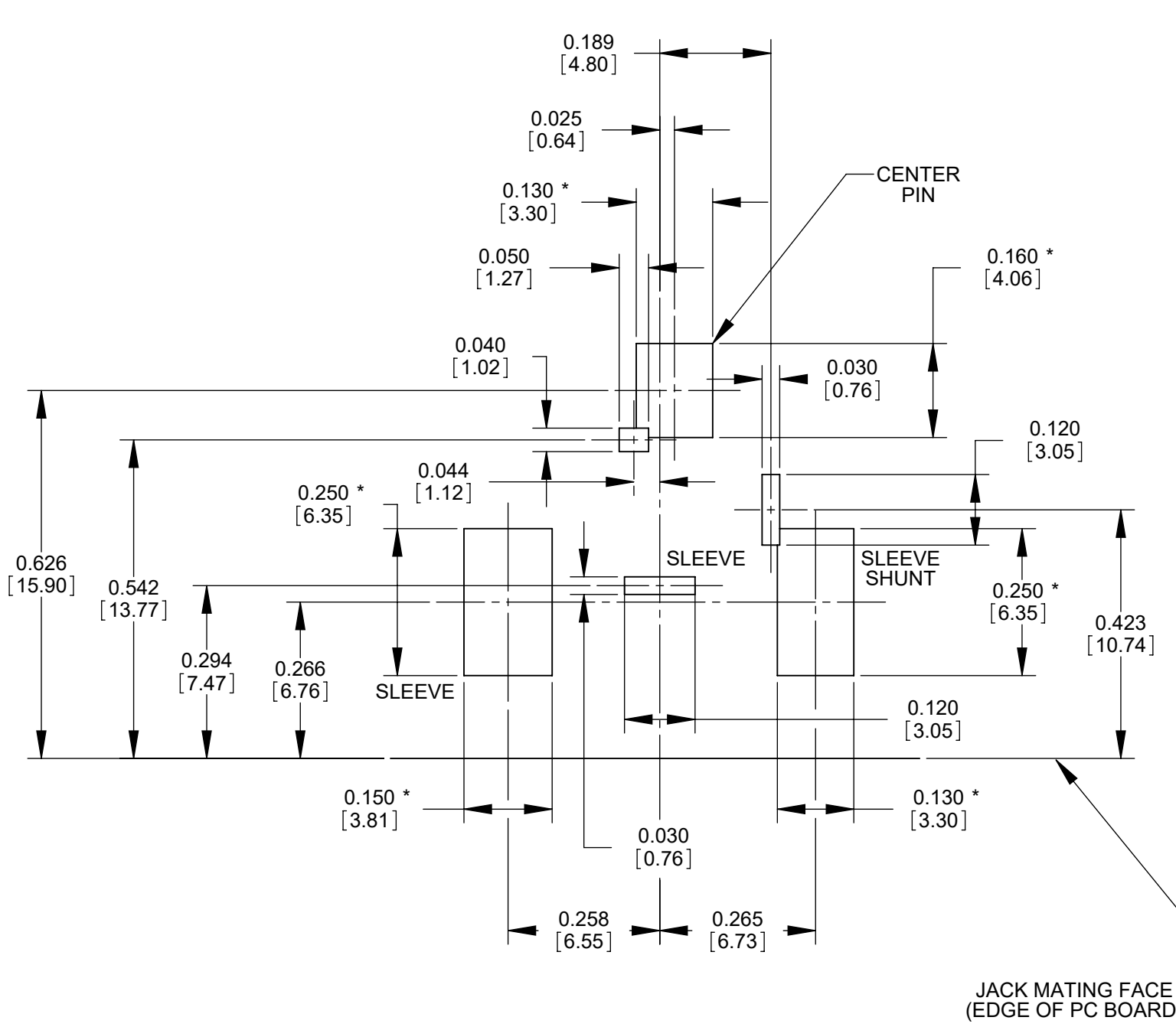
1. ALL DIMENSIONS IN INCHES

- TWO PLACE DECIMALS ±0.02

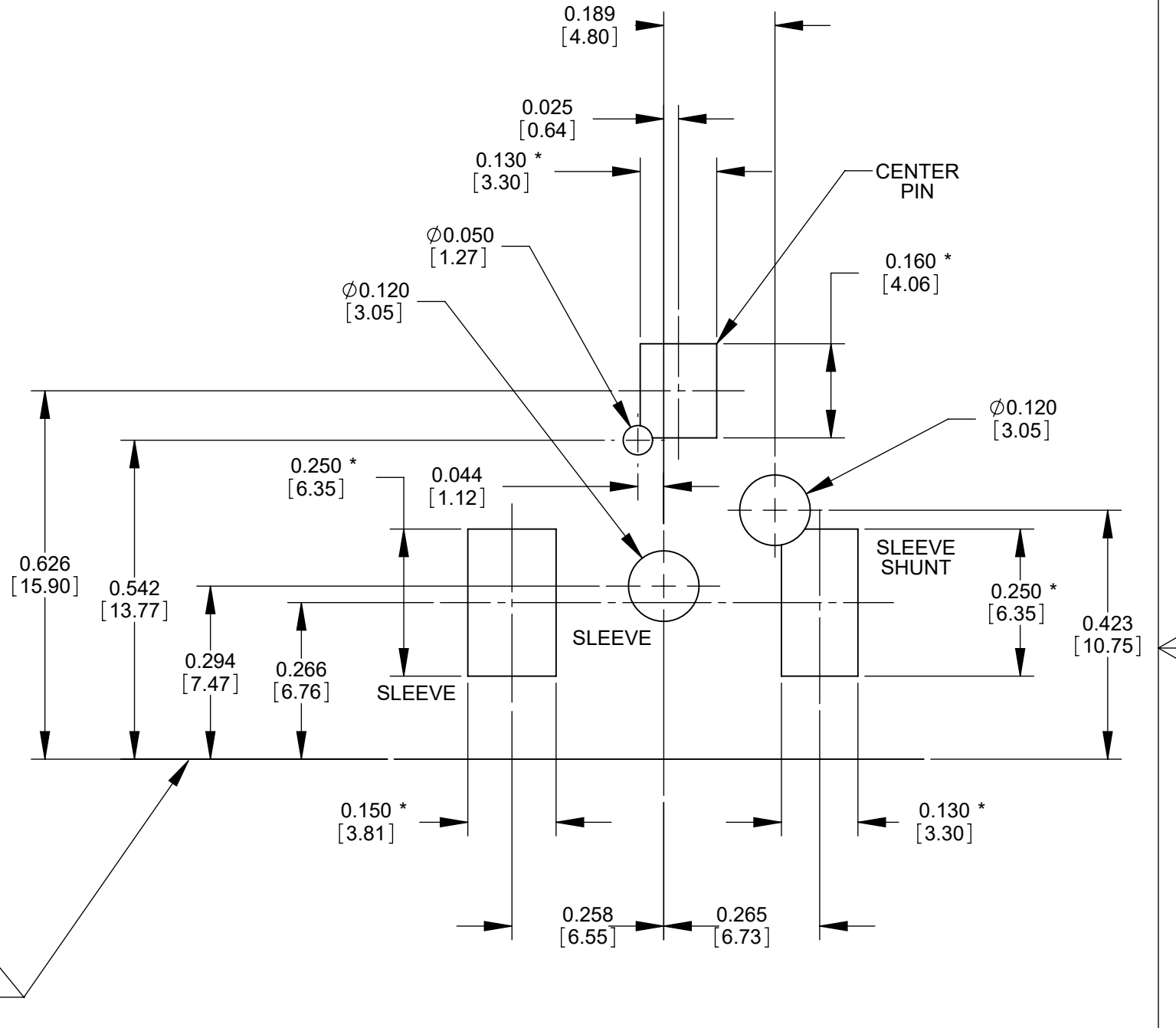
- THREE PLACE DECIMALS ±0.005

DO NOT SCALE DRAWING

THIS DRAWING DESCRIBES A DESIGN CONSIDERED PROPRIETARY IN NATURE, DEVELOPED AND MANUFACTURED BY SWITCHCRAFT INC. AND IS RELEASED ON A CONFIDENTIAL BASIS FOR IDENTIFICATION PURPOSES ONLY.									
SIZE		WIDTH		MULT		LBS/M		TEMPER	
FINISH					MATERIAL				
SPEC No.					SPEC No.				
FIRST USED ON				SCALE 4:1					
DATE DRAWN	BY	CHKD	APVD						
1/17/07	BS	TJK	TJK						
NAME				PART No.		REV			
LOCKING POWER JACK, SH, Ø0.08 [2.0mm], RoHS				RASH722BK		B			



RECOMMENDED PC BOARD LAYOUT
(COMPONENT SIDE)



ALTERNATE PC BOARD LAYOUT
(COMPONENT SIDE)

JACK MATING FACE
(EDGE OF PC BOARD)

NOTE: * SURFACE MOUNT PADS.

CUSTOMER DRAWING

SCALE 4:1	Switchcraft®
DATE DRAWN 08/20/08	
DRAWN BY BS	TOOL No. RASH722BK
	SHEET 2 OF 2
	REV B

SolidWorks CAD File **B**