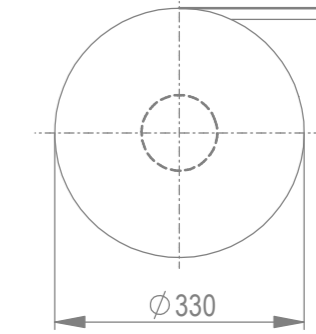
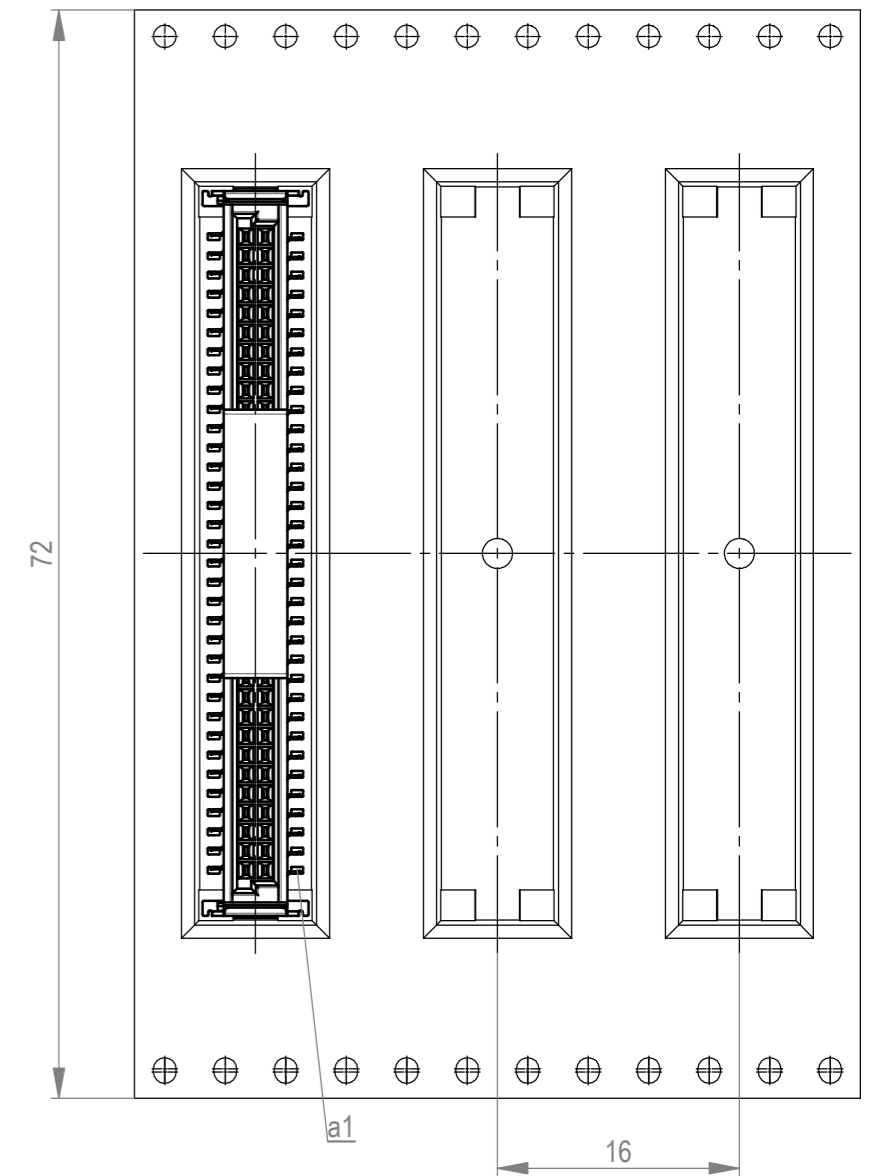


Verpackt im Gurt in Anlehnung an DIN IEC 60286-3
 tape on reel packaging according to DIN IEC 60286-3
 Verpackungseinheit: 280 Stück
 packaging unit: 280 pcs



Abspulrichtung - reel off direction



Anforderungsstufe 1
 performance level 1

Kontaktbereich vergoldet
 mating area gold plating

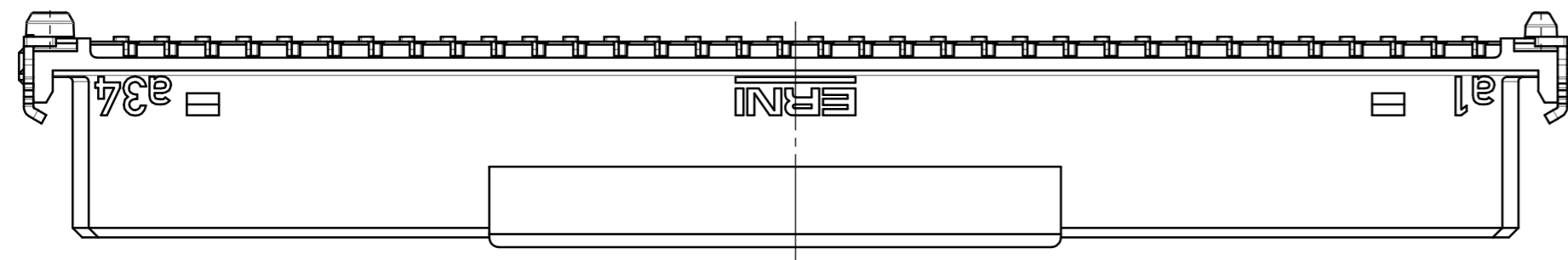
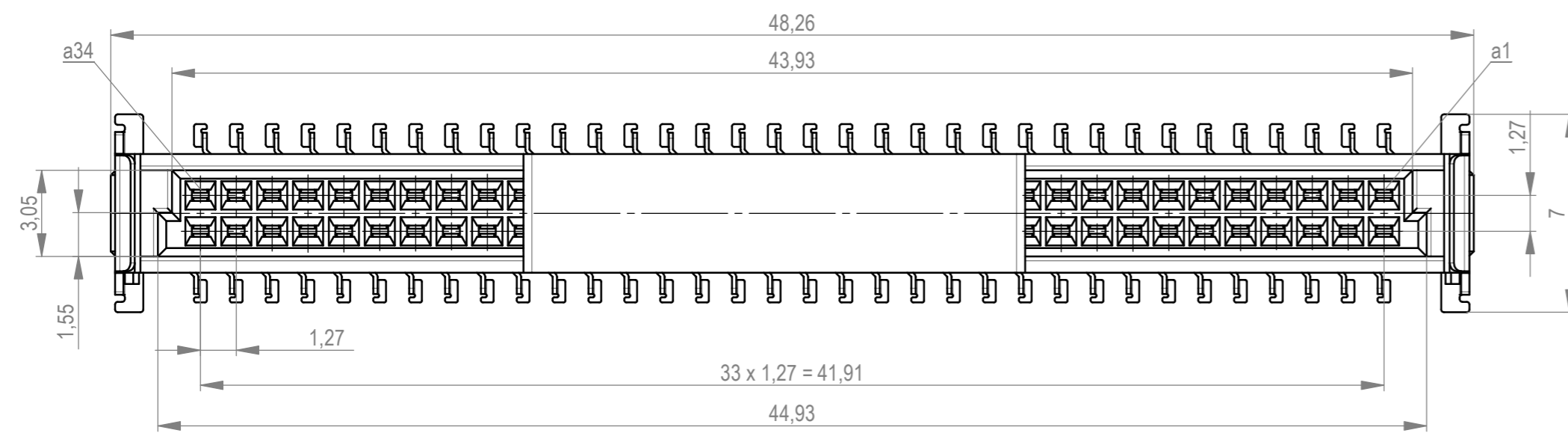
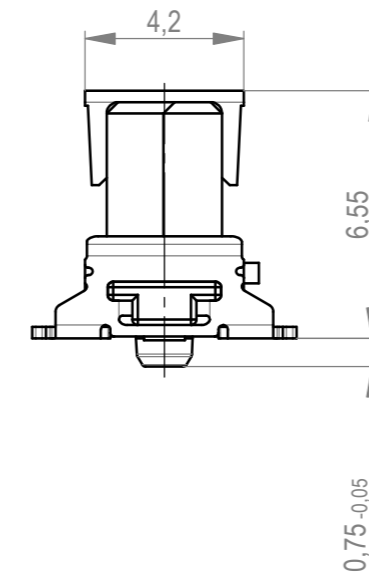
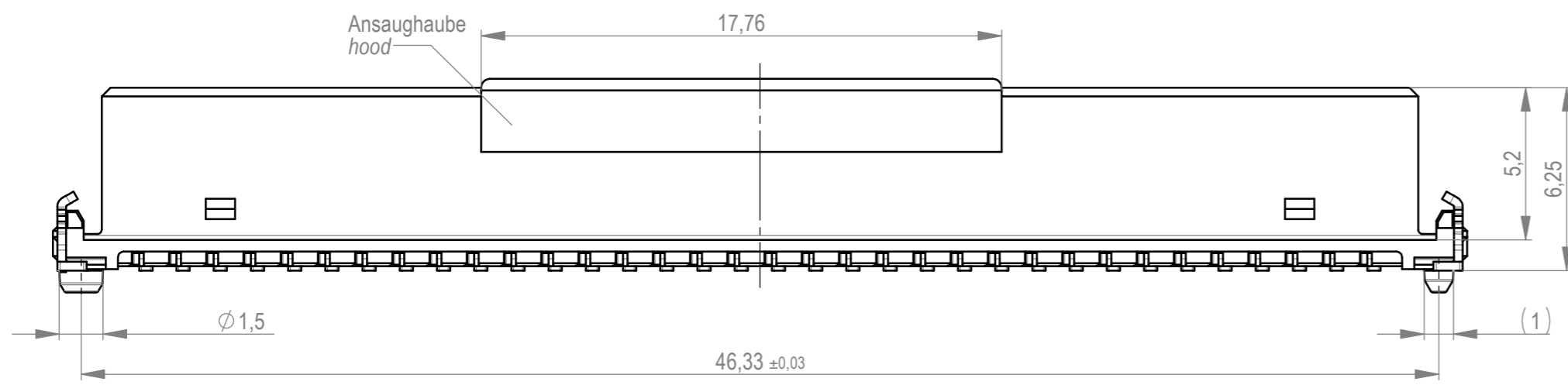
Anschlussbereich verzinkt 4-6 µm
 terminal area 4-6 µm tin plating

Koplanarität der Anschlüsse ≤ 0,1 mm
 coplanarity area of termination ≤ 0,1 mm

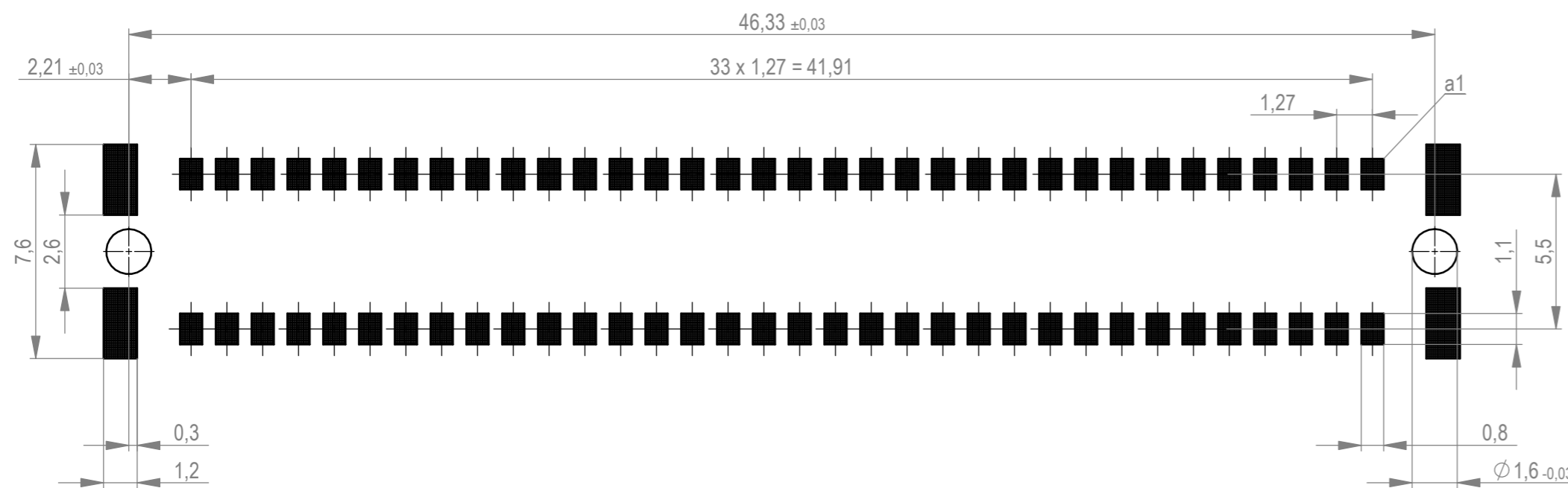
BA 7-13 - 8mm Bauhöhe
 type7-13 - low profile

Dimension no.	Tolerances ISO 8015	Scale 5:1 Material
Customer drawing: All rights reserved. Only for information. To ensure that this is the latest version of this drawing, please contact one of the ERNI companies before using.	Subject to modification without prior notice. Drawing will not be updated.	Federl. SMC-B 68-SMD-BA7-13 Female SMC-B 68-SMD-type7-13
f Index	09.06.2021 Date	154808 Class SMCB

ERNI International AG
 Zürichstrasse 72
 8306 Brüttisellen - Zürich
 Switzerland



Leiterplatten-Layout Vorschlag für SMT
 PCB-Layout Proposal for SMT



Weder die deutsche Version dieser Zeichnung dient zur Erleichterung der Handhabung, bei Abweichungen vom englischen Original gilt das englische Original. / This drawing has been created for convenience only and may deviate from the original. / In case of any deviation the English version shall prevail.

H