

mat'l. code		-		surface		- ✓		tolerance		ASME_Y14.5		projection		product family		PCI_EXPRESS	
lfr		ecn no		dr		date		tolerances unless otherwise specified		angles		MM		title		MINI_PCI_EXPRESS	
2		--		ZH		2019/2/26		.0±0.30		Line of		scale N/A		5.6MM_HEIGHT		sheet 1 of 5	
								.00±0.20		±2'		Amphenol FCi		dwg no		10150900	
								.000±0.10		dr		WINSTON_ZHU		2020-05-12		size	
										enfr		ZHENHUA_LIU		2020-05-12		A4	
										chr							
										appd		HEAVEN_CEN		2020-05-12		type	
sheet index		revision sheet		A													

NOTES:

1. MATERIAL:

HOUSING: HIGH TEMPERATURE PLASTIC, UL94 V-0, BLACK COLOR,
CONTACTS: COPPER ALLOY
PEGS: COPPER ALLOY

2. FINISH:

CONTACTS: SELECTED GOLD PLATING ON THE CONTACT AREA,
1u" GOLD PLATING ON THE SOLDER TAILS,
50u" NICKEL UNDERPLATING OVER ALL.
PEGS: 120u" MATTE-TIN OVER 50u" . NICKEL.

3. CARD THICKNESS APPLIES ACROSS TABS AND INCLUDES PLATING AND/OR METALLIZATION.

4. EDGE BEVEL MUST BE PRESENT AND FREE OF CUTTING BURRS FROM PCB AND CONTACT MATERIALS.

5. PRODUCT SPECIFICATION: GS-12-1513

6. THE HOUSING WILL WITHSTAND EXPOSURE TO 260°C PEAK TEMPERATURE FOR 10 SECONDS IN RE-FLOW APPLICATION

PRODUCT NUMBER CODE

10150900- 052 R X LF

52 CONTACTS

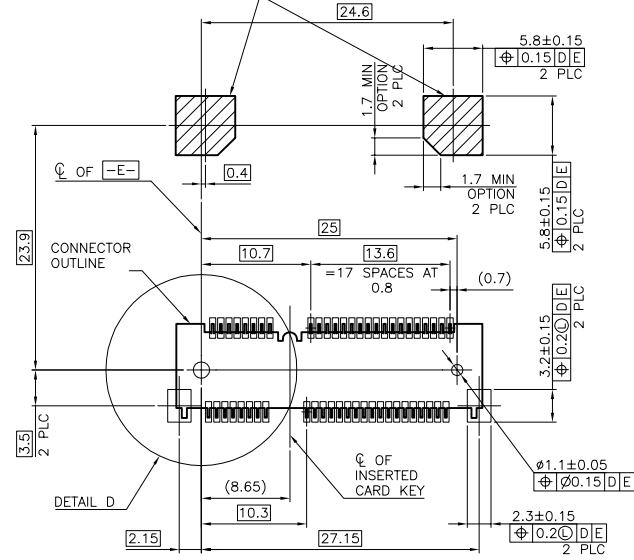
PACKING OPTIONS
R: TAPE & REEL

LEAD FREE

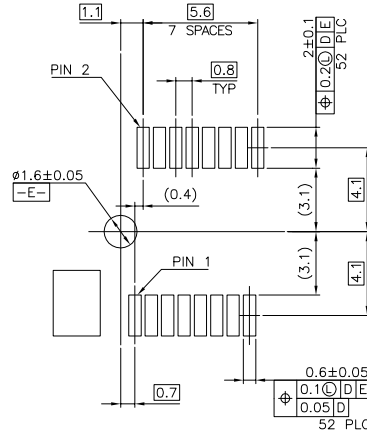
CONTACT AREA PLATING
0: 30u" GOLD
1: 10u" GOLD
2: GOLD FLASH

mat'l. code		-		surface	-	tolerance	ASME_Y14.5	projection	product family	PCI_EXPRESS	
lfr	ecn no	dr	date	tolerances unless otherwise specified					title		
				angles	linear	.02±0.30		MM	MINI_PCI_EXPRESS		
				±2'	linear	.00±0.20		scale N/A	5.6MM_HEIGHT		
				dr	WINSTON_ZHU	2020-05-12		Amphenol FCi	dwg no		sheet 2 of 5
				enfr	ZHENHUA_LIU	2020-05-12			10150900		A4
				chr					type		CUSTOMER Drawing
				appc	HEAVEN_CEN	2020-05-12					
sheet index	revision	A									

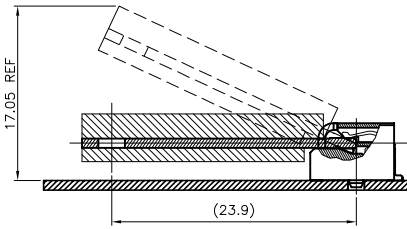
COMPONENT KEEP OUT AREA FOR CARD HOLD DOWN SOLUTION



-D- IS THE TOP SURFACE OF PCB.
RECOMMENDED P.C. BOARD PATTERN LAYOUT FOR HALF CARD CONNECTOR (TOP VIEW)

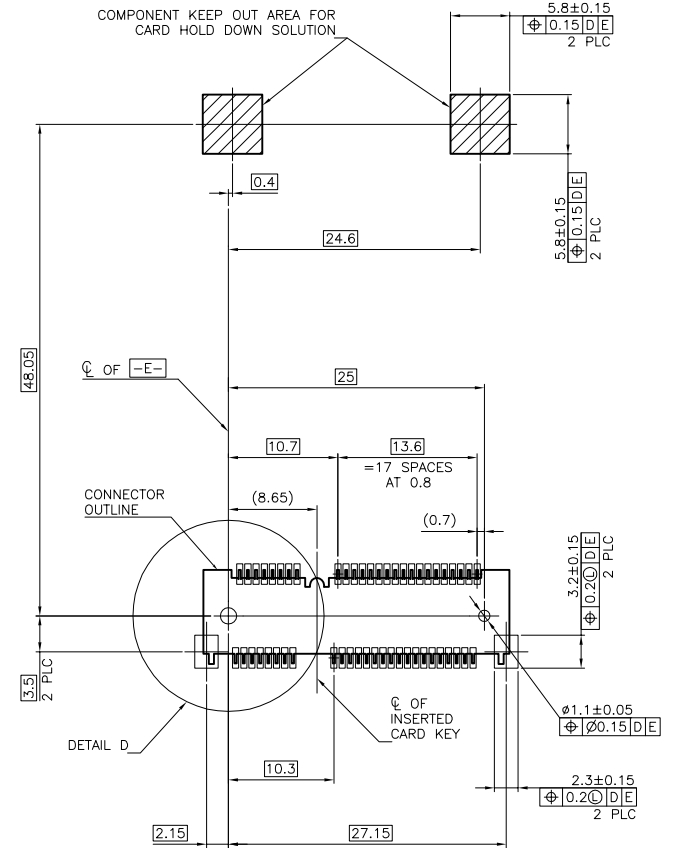


DETAIL D SCALE 2:1

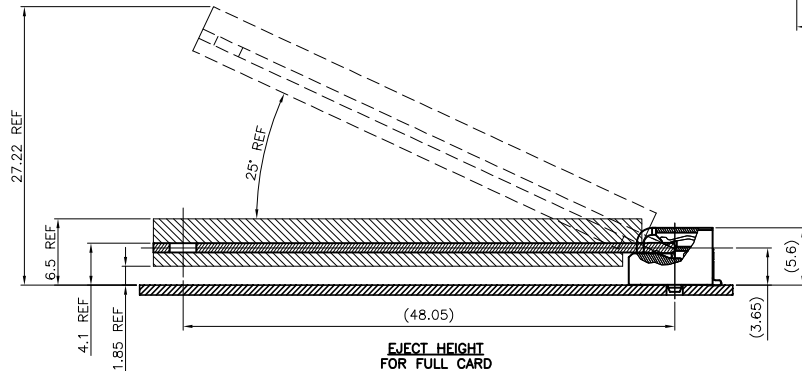


EJECT HEIGHT FOR HALF CARD

COMPONENT KEEP OUT AREA FOR CARD HOLD DOWN SOLUTION

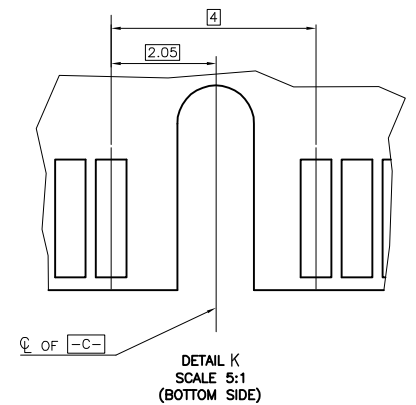
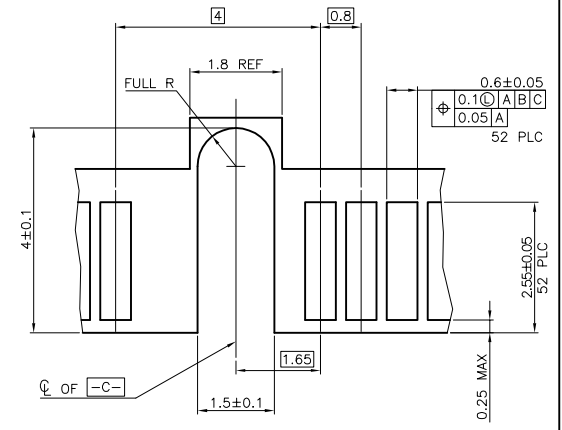
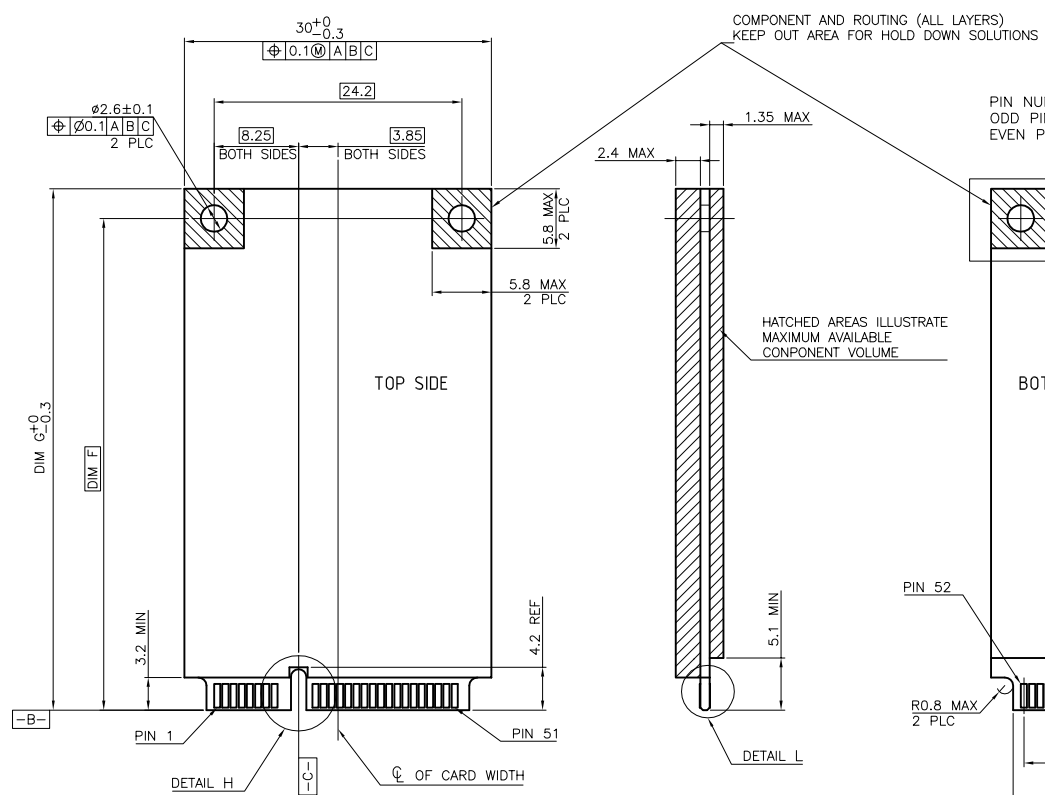


-D- IS THE TOP SURFACE OF PCB.
RECOMMENDED P.C. BOARD PATTERN LAYOUT FOR FULL CARD CONNECTOR (TOP VIEW)



EJECT HEIGHT FOR FULL CARD

mat'l. code	-	surface	-	tolerance	ASME_Y14.5	projection		product family	PCI_EXPRESS	
lfr	ecn no	dr	date	tolerances unless otherwise specified			MM	title	MINI_PCI_EXPRESS	
				angles	LineG: .02±0.30			5.6MM_HEIGHT		
				±2'	LineG: .00±0.20	scale	N/A	dwg no	10150900	
					LineG: .000±0.10			sheet 3 of 5	size	
				dr	WINSTON_ZHU 2020-05-12	Amphenol FCI			A4	
				enfr	ZHENHUA_LIU 2020-05-12			type	CUSTOMER Drawing	
				chr						
				appc	HEAVEN_CEN 2020-05-12					
sheet index	revision	A								

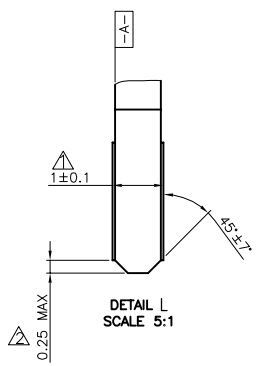
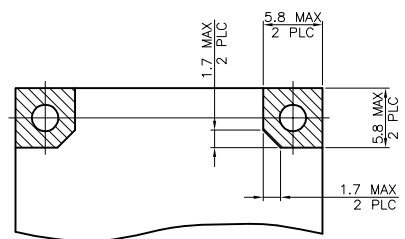


NOTES:

- ▲ CARD THICKNESS APPLIES ACROSS TABS AND INCLUDES PLATING AND/OR METALLIZATION.
- ▲ EDGE BEVEL MUST BE PRESENT AND FREE OF CUTTING BURRS FROM PCB AND CONTACT MATERIALS.

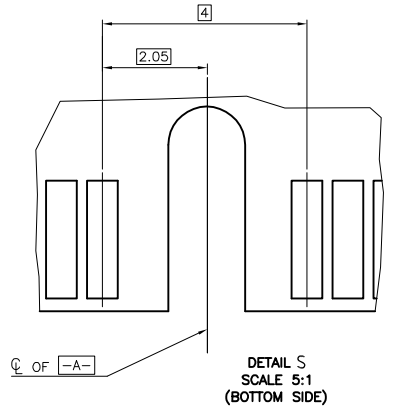
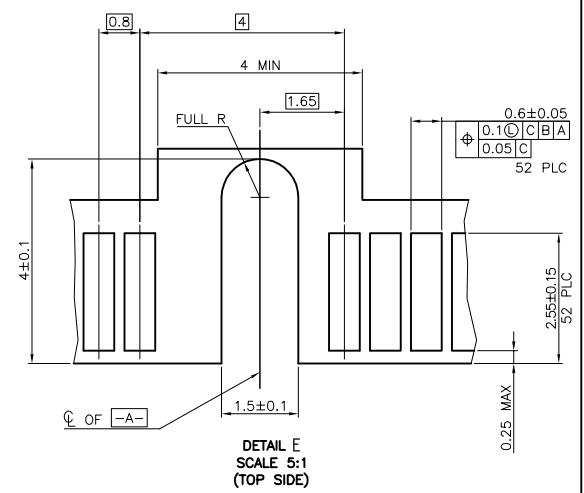
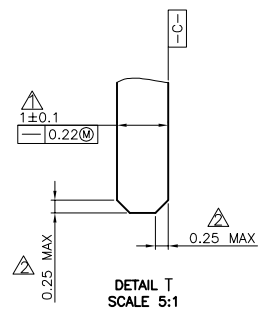
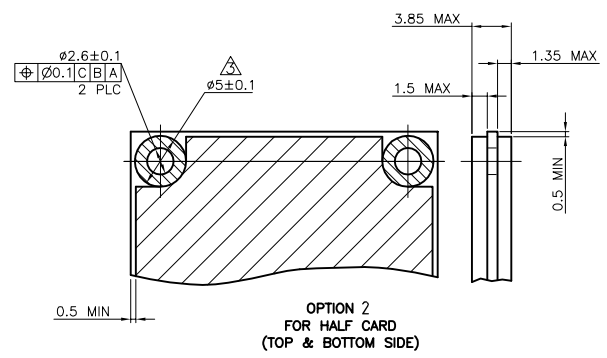
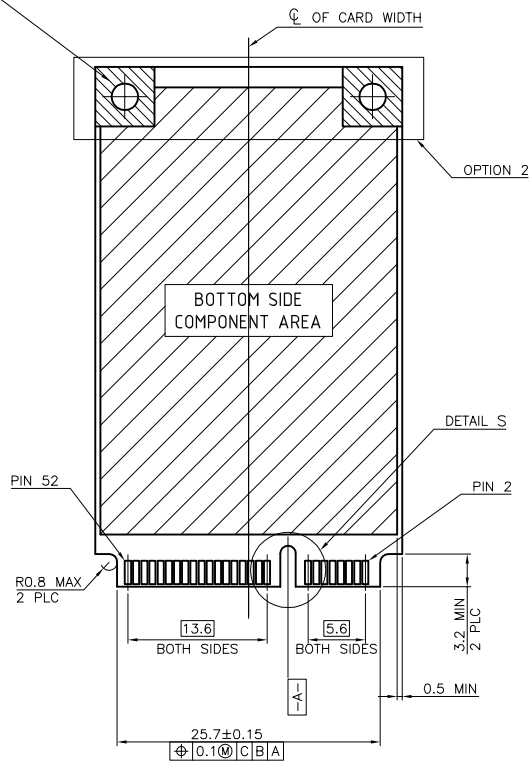
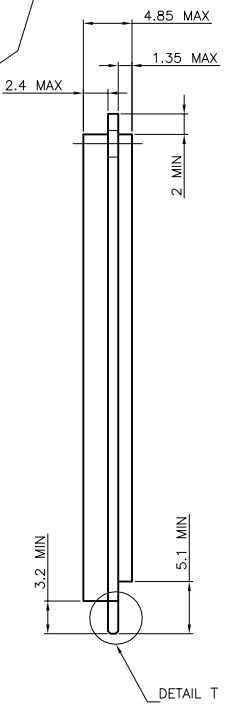
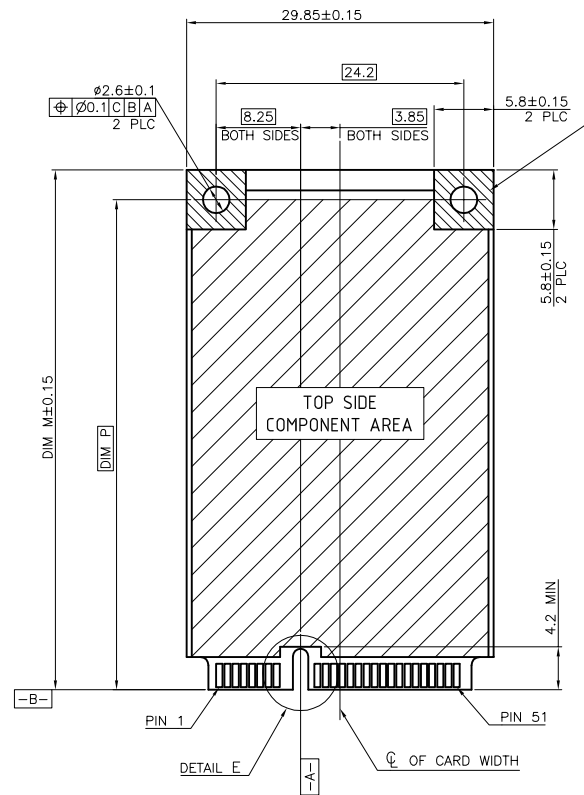
FOR PCI EXPRESS MINI CARD

mat'l. code	-	surface	✓ tolerance	projection	product family
lfr	ecn no	dr	date	ASME_Y14.5	PCI_EXPRESS
tolerances unless otherwise specified				MM	title
angles				Line/pt	MINI_PCI_EXPRESS
±2'				scale N/A	5.6MM_HEIGHT
dr	WINSTON_ZHU	2020-05-12		Amphenol FCi	dwg no
enfr	ZHENHUA_LIU	2020-05-12			sheet 4 of 5
chr					size
appd	HEAVEN_CEN	2020-05-12			A4
sheet index	revision	A		type	CUSTOMER Drawing



DIM P	DIM M	
48.05	50.8	FULL CARD
23.9	26.8	HALF CARD

COMPONENT AND ROUTING (ALL LAYERS)
KEEP OUT AREA FOR HOLD DOWN SOLUTIONS



- NOTES:
- ▲ CARD THICKNESS APPLIES ACROSS TABS AND INCLUDES PLATING AND/OR METALLIZATION.
 - ▲ EDGE BEVEL MUST BE PRESENT AND FREE OF CUTTING BURRS FROM PCB AND CONTACT MATERIALS.
 - ▲ COMPONENT AND ROUTING (TOP/BOTTOM LAYER) KEEP OUT AREA FOR HOLD DOWN SOLUTIONS.

FOR mSATA

mat'l. code	surface	tolerance	projection	product family
-	-	ASME_Y14.5	MM	PCI_EXPRESS
lfr	ecn no	dr	date	title
				MINI_PCI_EXPRESS
				5.6MM_HEIGHT
				dwg no
				10150900
				sheet 5 of 5
				size
				A4
				type
				CUSTOMER Drawing
sheet index	revision	A		
	sheet			