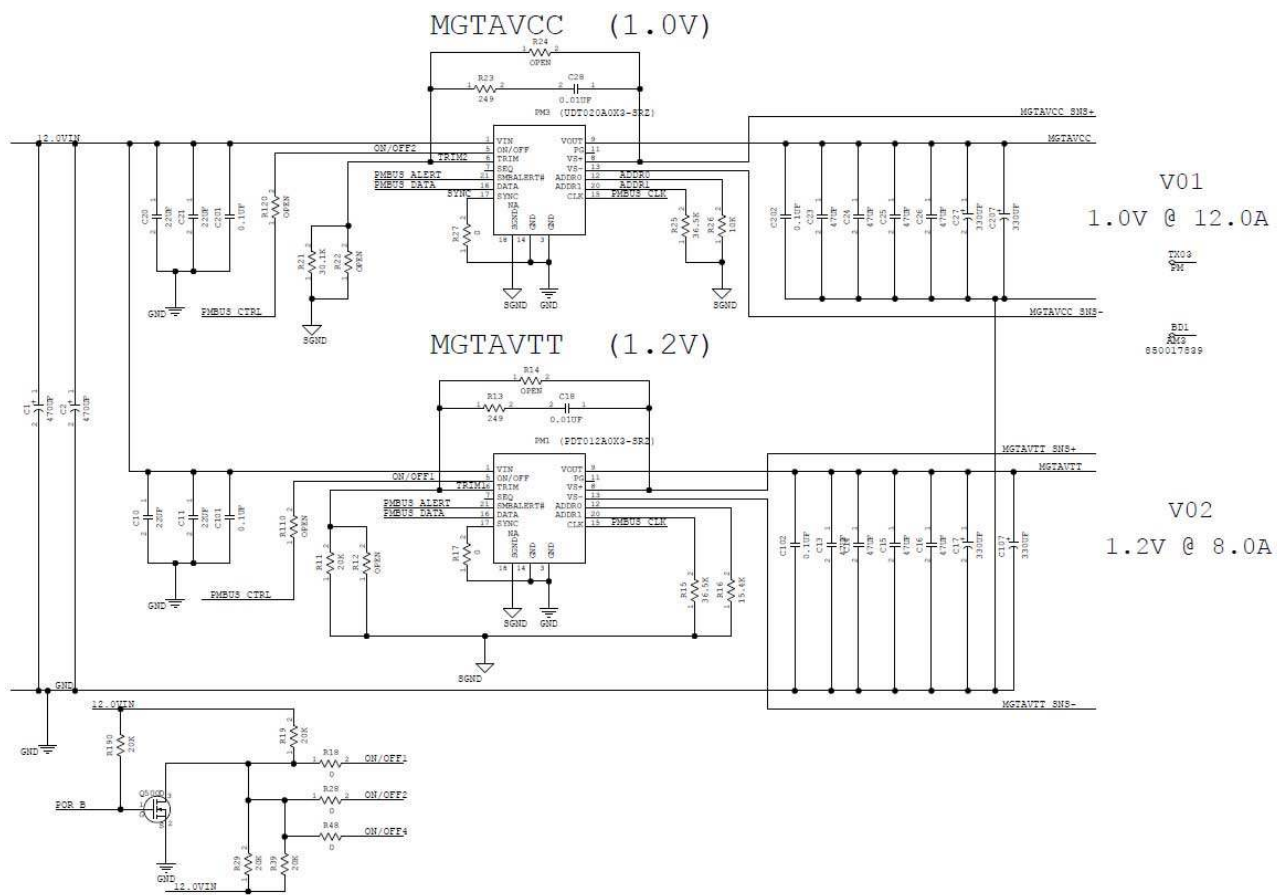


Xilinx Virtex7 MGT XCVR Power Module

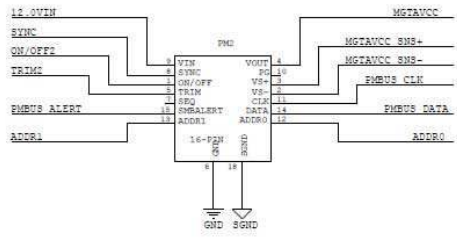
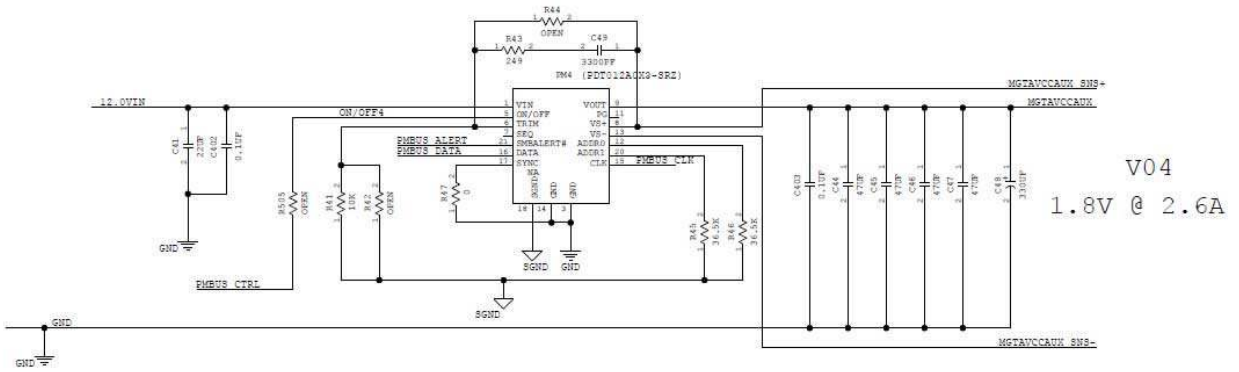
Description: Designed to support the next generation Xilinx 7-Series FPGAs, the 'EVAL_XILINX_PDT012A0X3-SRZ' is a multi-output power supply module that provides all the necessary voltage rails for Virtex-7 Series GTX and GTH transceivers when mated to Xilinx multi-gigabit transceiver (MGT) characterization boards.

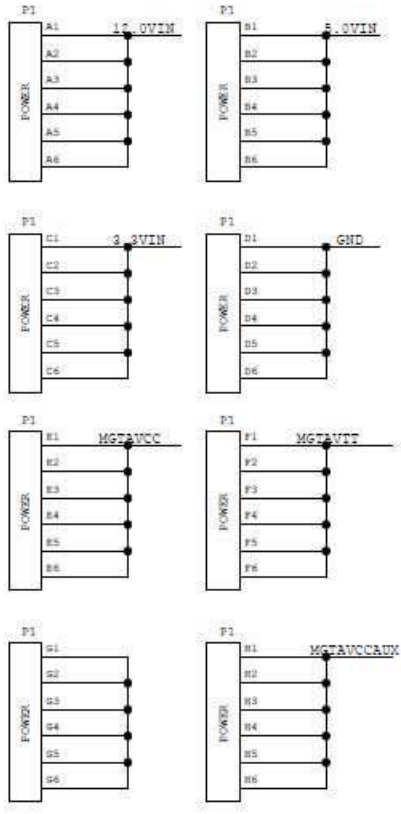
This power module incorporates GE Energy's latest generation of the Digital Dlynx™ family of non-isolated Point of Load (POL) DC-DC power converters. The power supply module provides an industry-standard PMBus™ digital interface as an option that supports a wide range of commands to both control and monitor the POLs residing within the power module assembly. The GE Energy's Digital Power Insight™ GUI can be employed to provide the communication link to configure, control and monitor the internal POLs.

Part Name: EVAL_XILINX_PDT012A0X3-SRZ



MGTAVCCAUX (1.8V)





		J2	
ALT FMBUS ADDR	1	80	BYPASS
	N/C	79	INSTALLED
	N/C	78	ICC AI
	N/C	77	FOR B
	N/C	76	ICC AD
	N/C	75	GND
	N/C	74	GND
	N/C	73	FMBUS ALERT
	GND	72	GND
	GND	71	FMBUS CTRL
	GND	70	ICC SW
	GND	69	FMBUS DATA
	MGTAVCC CS+	68	ICC SW
	MGTAVCC SNS+	67	FMBUS CLK
	GND	66	GND
	GND	65	GND
	MGTAVCC CS-	64	GND
	MGTAVCC SNS-	63	GND
	GND	62	SPI CS
	GND	61	IC0
	MGTAVTT CS+	60	SPI 0
	MGTAVTT SNS+	59	TDI
	GND	58	SPI 0
	GND	57	TRST
	MGTAVTT CS-	56	SPI SWIN
	MGTAVTT SNS-	55	TRCK
	GND	54	GND
	GND	53	GND
	N/C	52	GND
	N/C	51	GND
	GND	50	N/C
	GND	49	N/C
	N/C	48	N/C
	N/C	47	N/C
	GND	46	GND
	GND	45	GND
	MGTAVCCAUX CS+	44	GND
	MGTAVCCAUX SNS+	43	GND
	GND	42	MGTAVCCAUX SNS-
	GND	41	MGTAVCCAUX CS-

