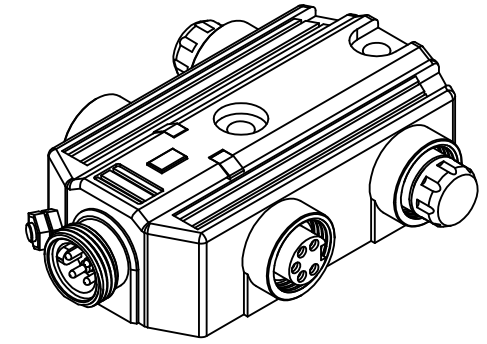
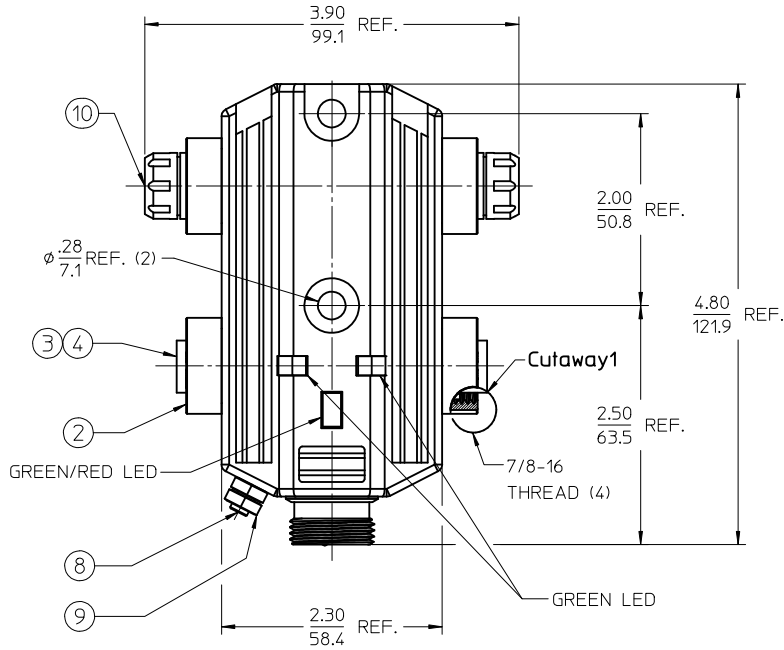
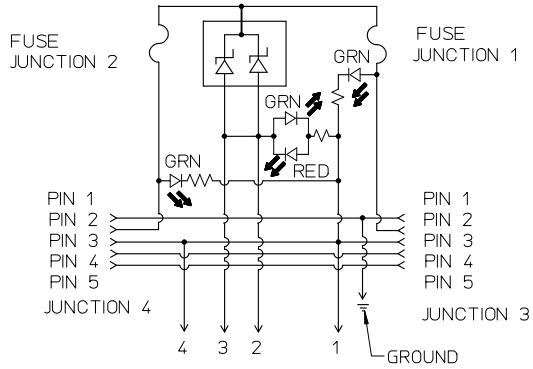
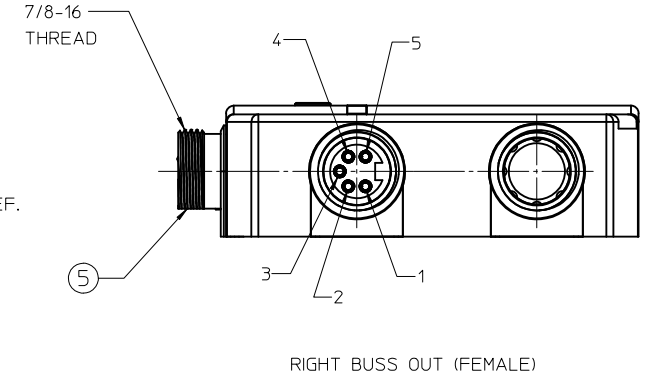
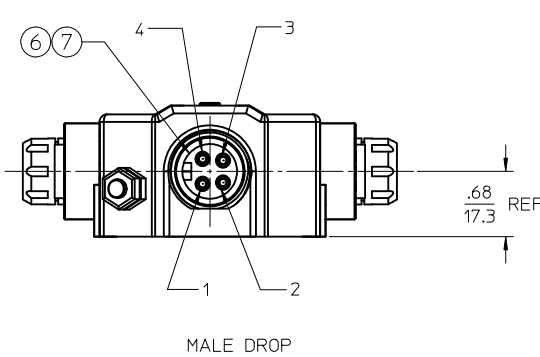
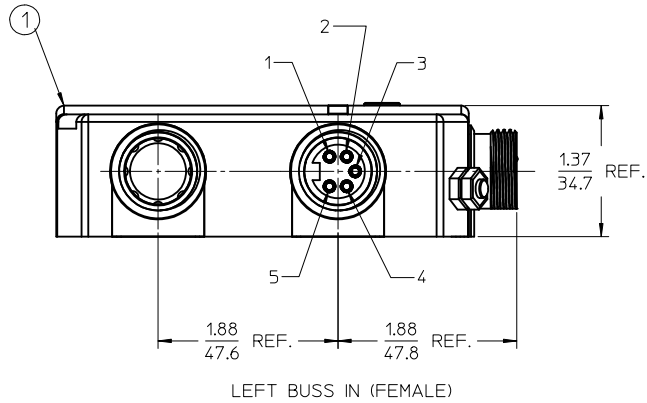


PART NUMBER	ENGINEERING NUMBER
1300390391	DN-PT2

SCHEMATIC



- NOTES:
1. MATERIAL: SEE TABLE
 2. FINISHES: SEE TABLE
 3. PACKAGING: PART IS PACKED IN A CLEARS POLY BAG INSIDE A CARDBOARD BOX ALONG WITH A WIRING SCHEMATIC.
 4. MATES WITH: NONE
 5. ELECTRICAL SPECIFICATIONS:
VOLTAGE RATING: 50VDC
FUSE PROTECTION: 4 AMPS
GROUND: 10-32 SCREW
 6. ENVIRONMENTAL: IP67
 7. OPERATING TEMP: -20° TO 158°F (-29°C TO 70°C)



10	2	FUSE HOLDER	THERMOPLASTIC	BLACK
9	2	HEXNUT, 10-32	BRASS	
8	1	GROUND PIN	BRASS	
7	1	MALE INSERT	TPE	GRAY
6	4	CONTACT PIN	CU ALLOY	GOLD PLATED
5	1	MALE RECEPTACLE	ZINC (DIECAST)	BLACK
4	2	FEMALE INSERT	TPE	GRAY
3	10	CONTACT SOCKET	CU ALLOY	GOLD PLATED
2	4	FEMALE RECEPTACLE	ZINC (DIECAST)	BLACK
1	1	HOUSING	PBT	BLACK
ITEM	QTY.	DESCRIPTION	MATERIAL	FINISH

RELEASED EC NO: MNA2010-0686 DRWN:WOODMAN 2010/05/12 CHKD:VOU 2010/05/14 APPR:JFMURPHY 2010/05/19 DESCRIPTION REV A	QUALITY SYMBOLS ▽=0 ▽=0	GENERAL TOLERANCES (UNLESS SPECIFIED) <table border="1"> <tr> <th></th> <th>mm</th> <th>INCH</th> </tr> <tr> <td>4 PLACES</td> <td>± ---</td> <td>± ---</td> </tr> <tr> <td>3 PLACES</td> <td>± ---</td> <td>± ---</td> </tr> <tr> <td>2 PLACES</td> <td>± ---</td> <td>± .010</td> </tr> <tr> <td>1 PLACE</td> <td>± 0.3</td> <td>± ---</td> </tr> </table>		mm	INCH	4 PLACES	± ---	± ---	3 PLACES	± ---	± ---	2 PLACES	± ---	± .010	1 PLACE	± 0.3	± ---	DIMENSION STYLE IN/MM	SCALE 1:1	DESIGN UNITS INCH	THIRD ANGLE PROJECTION
		mm	INCH																		
	4 PLACES	± ---	± ---																		
	3 PLACES	± ---	± ---																		
2 PLACES	± ---	± .010																			
1 PLACE	± 0.3	± ---																			
DRAFT WHERE APPLICABLE MUST REMAIN WITHIN DIMENSIONS		DRAWN BY R.STONE	DATE 2010/01/20	TITLE POWER-TAP, MALE DROP TO FEMALE/FEMALE																	
		CHECKED BY B.WOODMAN	DATE 2010/01/22	MOLEX INCORPORATED																	
		APPROVED BY JFMURPHY	DATE 2010/01/22	MATERIAL NO. 1300390391	DOCUMENT NO. SD-130039-038	SHEET NO. 1 OF 1															

THIS DRAWING CONTAINS INFORMATION THAT IS PROPRIETARY TO MOLEX INCORPORATED AND SHOULD NOT BE USED WITHOUT WRITTEN PERMISSION