

MATERIALS AND FINISHES:

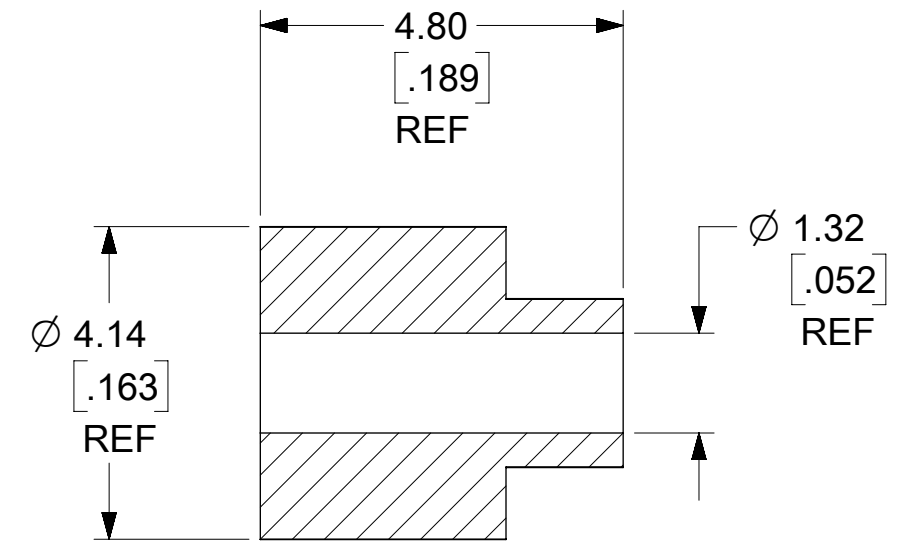
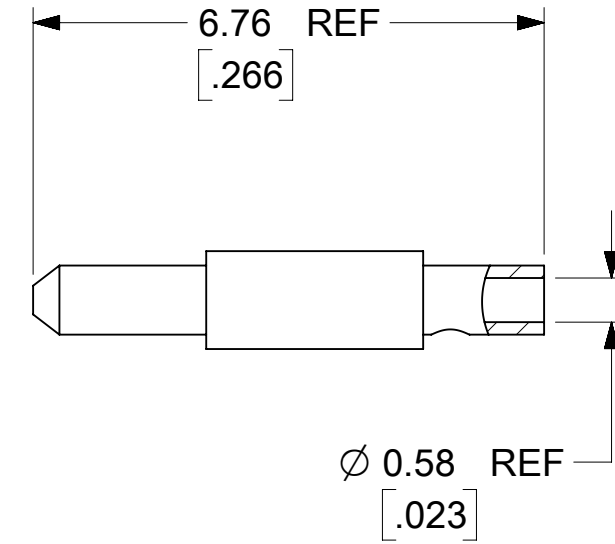
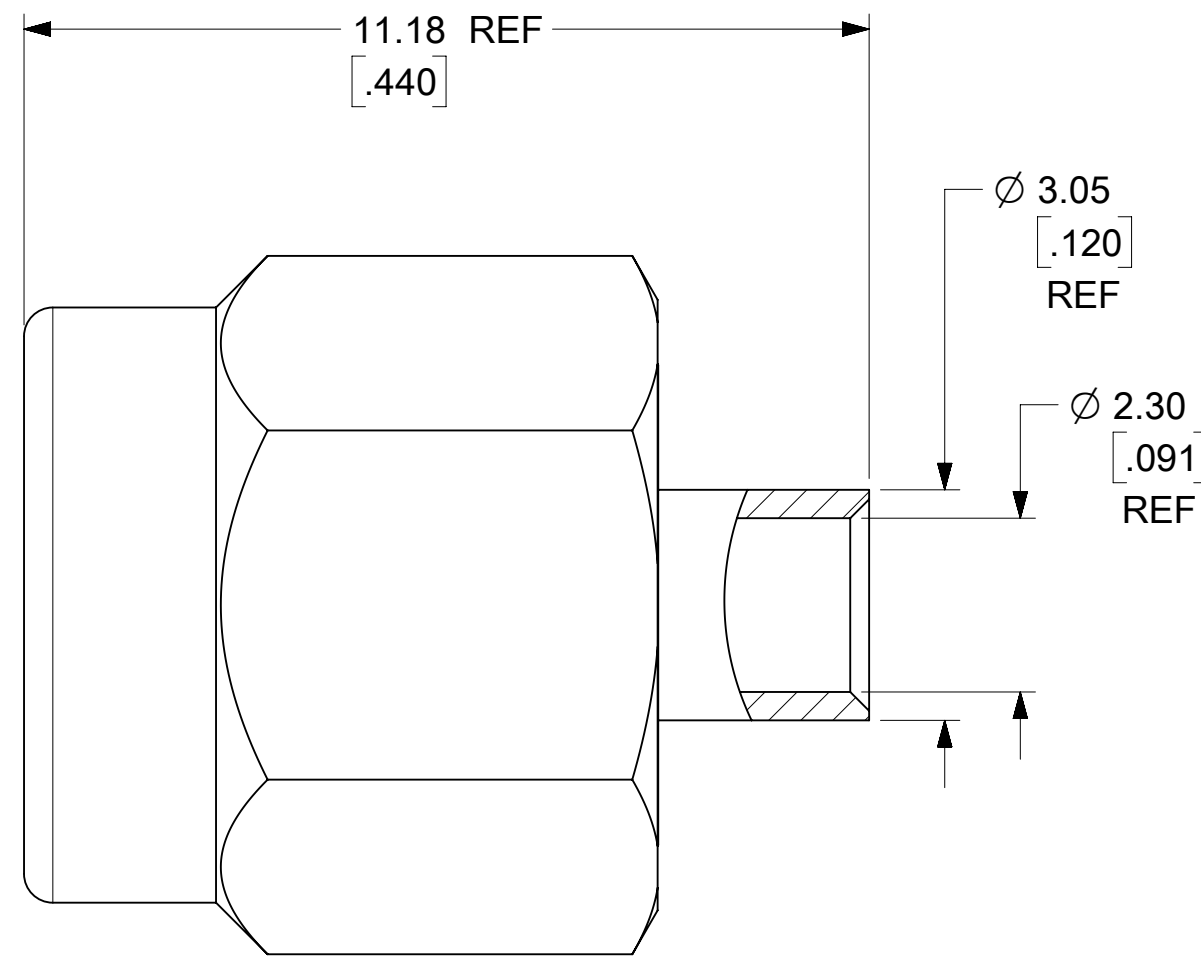
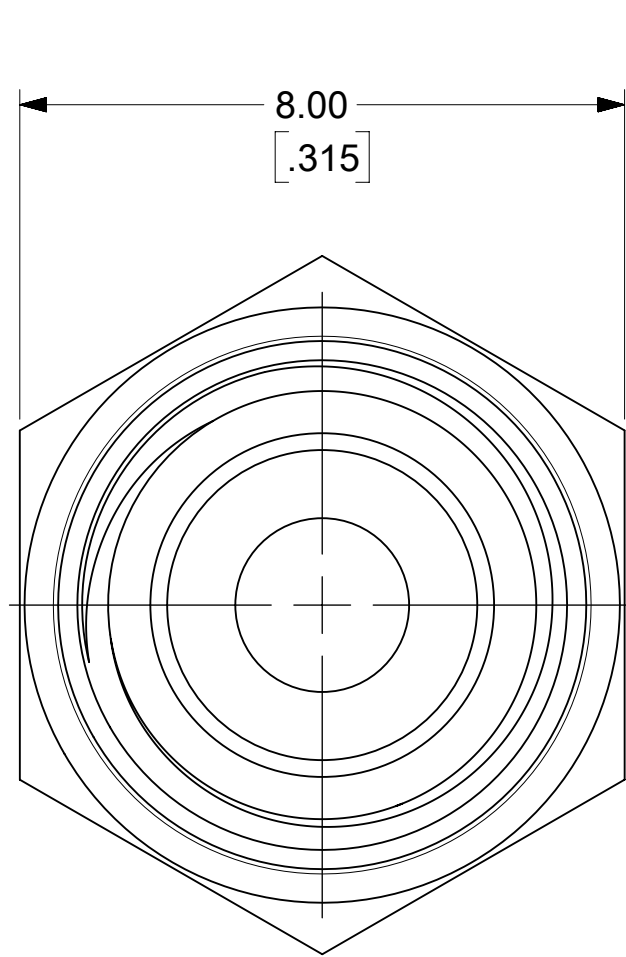
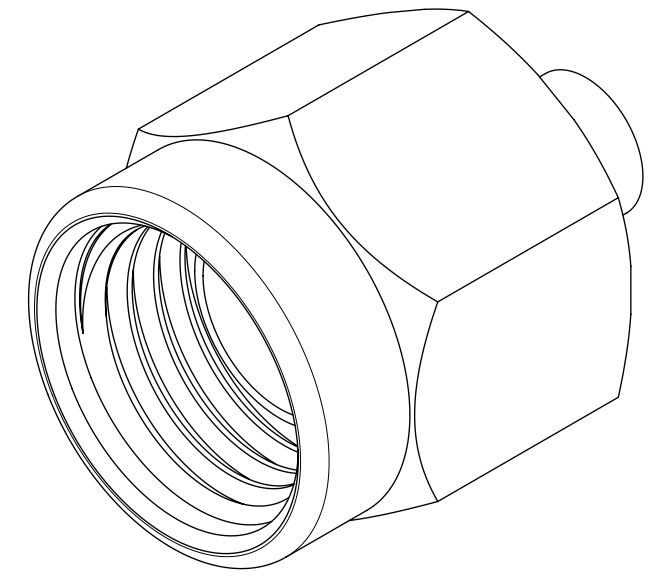
BODY: BRASS  
 FINISH: GOLD (10 μ-in MIN) OVER  
 NICKEL (100 μ-in MIN)

COUPLING NUT: BRASS  
 FINISH: SEE TABLE

CENTER CONTACT: BRASS  
 FINISH: GOLD (10 μ-in MIN) OVER  
 NICKEL (100 μ-in MIN)

INSULATOR: PTFE

GASKET: SILICONE RUBBER



73251-3042	BULK [NICKEL (70 μ-in MIN) OVER COPPER (30 μ-in MIN)]
73251-3041	ONE ITEM 73251-3040 PER BAG WITH LABEL
73251-3040	BULK [GOLD (1μ-in MIN) OVER NICKEL (50 μ-in MIN)]
PART NO.	PACKAGING (COUPLING NUT PLATING)

AS-89675-500	CABLE ASSEMBLY INSTRUCTIONS
PS-89675-346	ELEC/MECH PERFORMANCE
MIL-STD-348B, FIG 310-1	INTERFACE
SPECIFICATION	DESCRIPTION

SYMBOLS	THIS DRAWING CONTAINS INFORMATION THAT IS PROPRIETARY TO MOLEX ELECTRONIC TECHNOLOGIES, LLC AND SHOULD NOT BE USED WITHOUT WRITTEN PERMISSION		
	DIMENSION UNITS	SCALE	CURRENT REV DESC:
∇ = 0	MM/IN	NTS	EC NO: 626068 DRWN: SSSHAH 2019/10/14 CHK'D: LMEIER 2020/01/10 APPR: AROBERTSON 2020/01/10
∇ = 0	GENERAL TOLERANCES (UNLESS SPECIFIED)		
∇ = 0			INITIAL REVISION: DRWN: AROBERTSON 2007/05/11 APPR: JWIENER 2007/05/11
S = 0	4 PLACES ±	±	
∇ = 0	3 PLACES ±	±	ANGULAR TOL ± 1.0 °
∇ = 0	2 PLACES ±	±	
∇ = 0	1 PLACE ±	±	DRAFT WHERE APPLICABLE MUST REMAIN WITHIN DIMENSIONS
∇ = 0	0 PLACES ±	±	
∇ = 0			THIRD ANGLE PROJECTION
∇ = 0			DRAWING
			SERIES
			MATERIAL NUMBER
			CUSTOMER
			SHEET NUMBER

**molex**

SMA PLUG, STRAIGHT  
 CABLE SR.086, 50 OHMS EWR-13393, SMA-PC

PRODUCT CUSTOMER DRAWING

DOCUMENT NUMBER	DOC TYPE	DOC PART	REVISION
SD-73251-304	PSD	001	B

DOCUMENT STATUS	P1	RELEASE DATE	2020/01/10 14:34:32
-----------------	----	--------------	---------------------