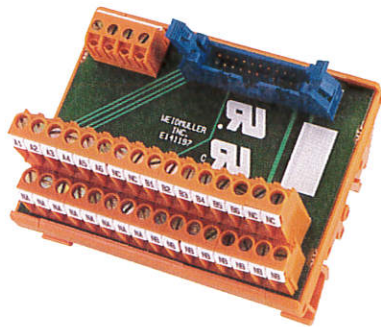
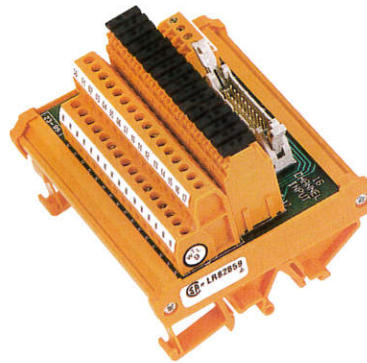


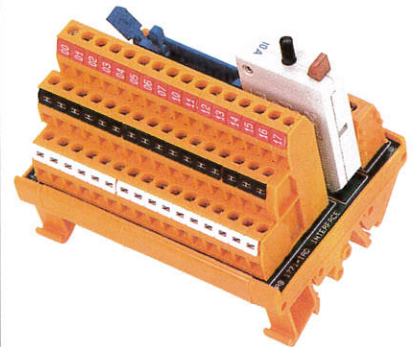
**Passive - 2 wire
12 Channel
Output
GE Fanuc**



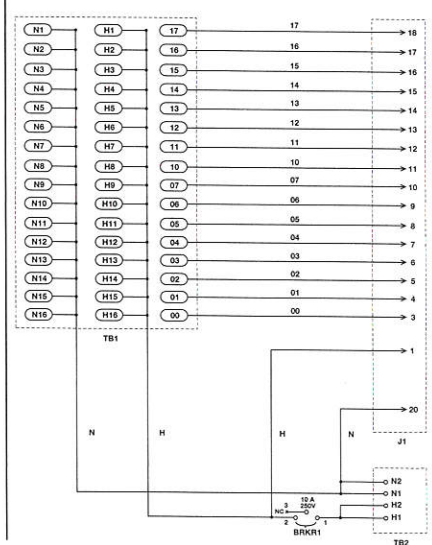
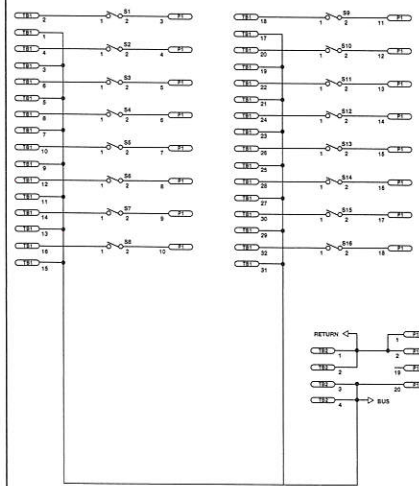
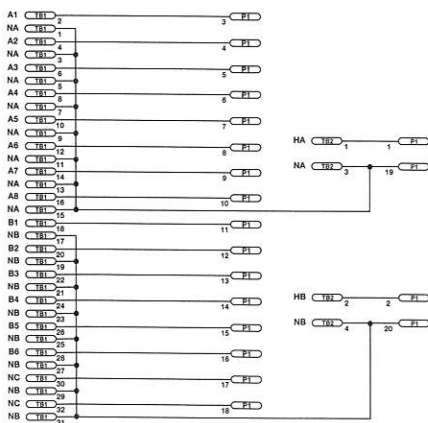
**Passive - 2 wire
16 Channel
Input Disconnect
Allen-Bradley, GE Fanuc**



**Passive - 3 wire
16 Channel
Input w/Circuit Breaker
Allen-Bradley, GE Fanuc**



RS PLC GE9030 MDL310	RS RI 16 DIS	RS RI IAD 16 BKR
998055	919722	915290
IC693MDL310	120 VAC, 24 VDC	AB 1771-IAD
	AB 1746-IA16, IB16	AB 1746-IA16
	24 VDC Source	AB 1746-IV16
	120 VAC, 24 VDC	GEF IC693MDL240, 241
	24 VDC Neg.	GEF IC693MDL241
120 VAC	See Above	120 VAC
3.0 A per channel / 3.0 A per group / 3.0 A per common	3.0 A per channel / 6.0 A per module	2.5 A per channel / 3.0 A per group of 16 / 10 A circuit breaker
(1) 1 x 20 pin IDC	(1) 1 x 20 pin IDC	(1) 1 x 20 pin IDC
No	No	No
0°C...+50°C	0°C...+50°C	0°C...+50°C
-20°C...+60°C	-20°C...+60°C	-20°C...+60°C
90 x 70 x 56	105 x 87 x 75	96 x 70 x 89
#26...14 AWG	#26...14 AWG	#26...14 AWG
Screw Clamp	Screw Clamp	Screw Clamp



Note: Markings vary based on I/O used.