

6

5

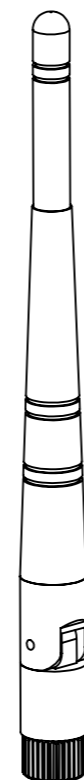
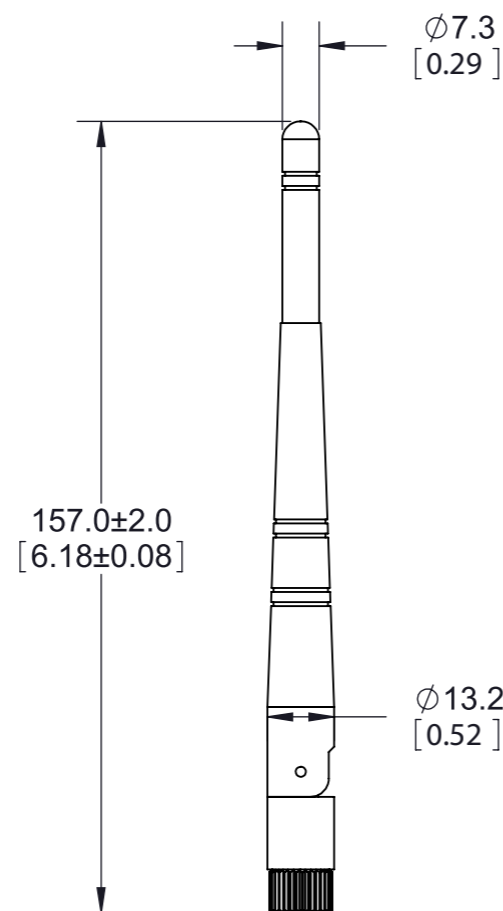
4

3

2

1

REVISIONS					
REV.	ECR#	ZONE	DESCRIPTION	CHANGED BY/DATE	APPROVED BY/DATE
AA			INITIAL RELEASE	TB 03-30-09	TB 03-30-09
AB	CRN ECR#850		ADDED TO TABLE, TORQUE, 50 CYCLES, OPER & STORAGE TEMP., AND CONNECTOR BODY WITH ITS CENTER CONTACT. 4-2-13 CONNECTOR BODY from Nickleplate to black chrome.	MCL 3/27/2013	K.S. 3/27/2013



PARAMETER	PERFORMANCE
Model Number	RD2458-5-RSMA
Antenna Type	Dipole
Frequency	2.40-2.50GHz/4.9-5.85GHz
Input Impedance	50 Ohms
VSWR	2.0:1
RF Connector	RSMA
Radome	Black, TPEE
Fastening Torque	0.5 ~ 0.8N*m
Product Cycles	50 (MIN)
Operational Temperature (C)	-30° to +70°
Storage Temperature (C)	-40° to +85°
Connector Body	Black Chrome
Connector Center Contact	Gold Plating

MATERIAL:	N/A	
FINISH:	N/A	
APPROVALS		DATE
DRAWN BY	T.BOWSER	03-30-09
PROJ. ENG.	T. PETROPOULOS	12/15/09
APPL. MECH.	R. CHICOINE	12/15/09
MFG.	I. CHICKLIS	12/15/09

THIRD ANGLE PROJECTION

DO NOT SCALE DRAWING

INTERPRET DIMENSIONING AND TOLERANCING IN ACCORDANCE WITH ASME Y14.5M-1994

TOLERANCES UNLESS OTHERWISE SPECIFIED

DIMENSIONS ARE IN MILLIMETERS

ANGLE: ±30'
 0 PLACE DECIMAL: ±0.5
 1 PLACE DECIMAL: ±0.25
 2 PLACE DECIMAL: ±0.13

SURFACE ROUGHNESS 1.6/√



RD2458-5-RSMA

THIS DRAWING IS UNPUBLISHED. RELEASED FOR PUBLICATION - , - .
 © Copyright 2022 TE Connectivity Ltd. ALL RIGHTS RESERVED.

SIZE **A3** DWG. NO. **RD2458-5-RSMAMO** REV **AB**

SCALE: 1:1 PREVIOUS# SHEET 1 OF 1

6

5

4

3

2

1