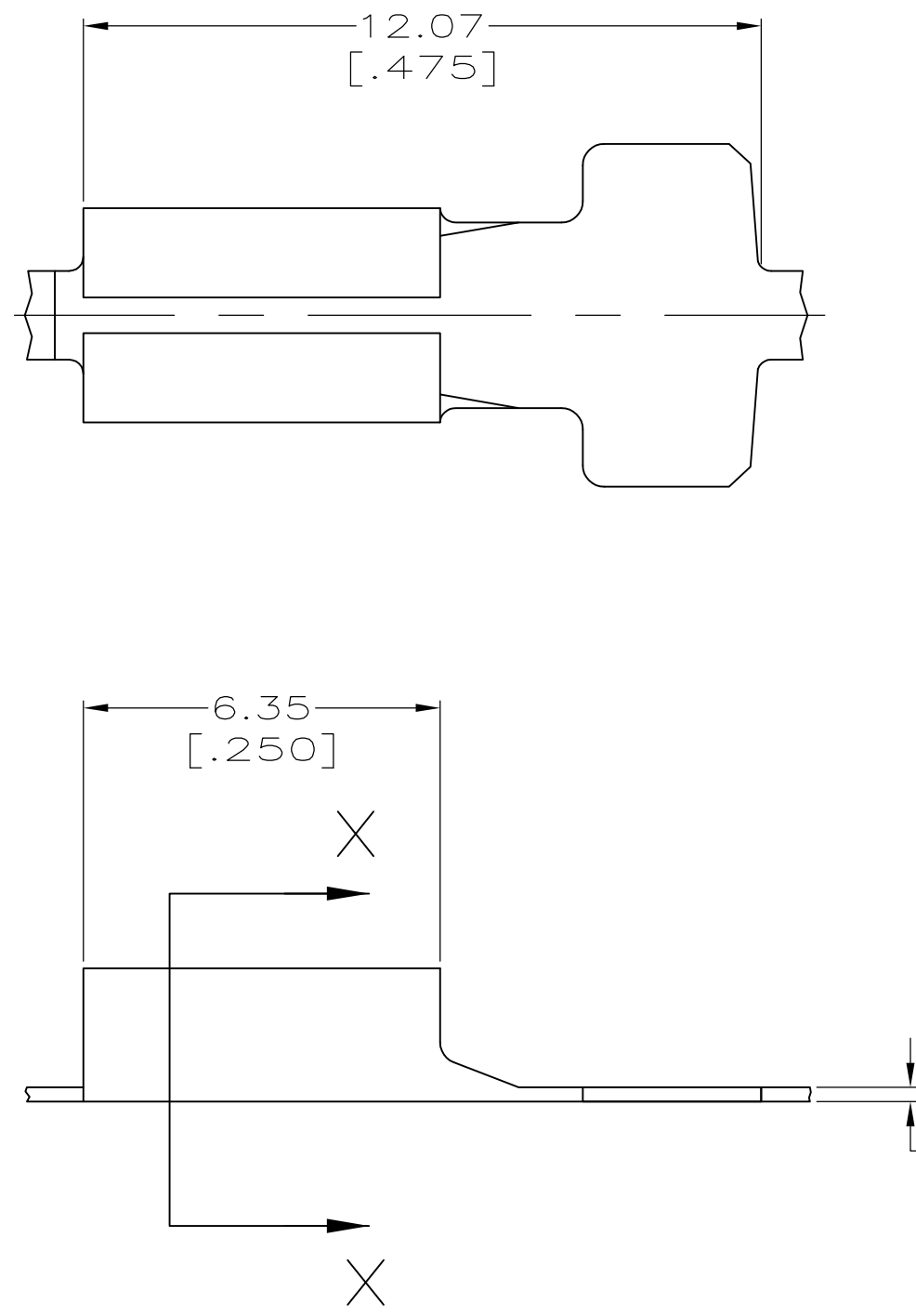
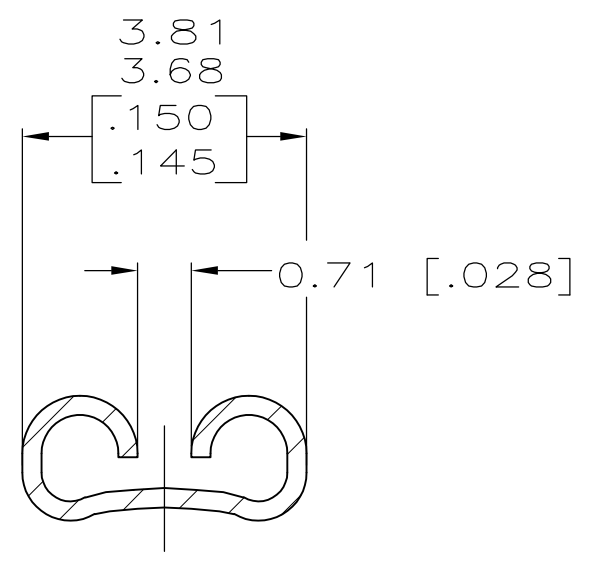


THIS DRAWING IS UNPUBLISHED. RELEASED FOR PUBLICATION
 © COPYRIGHT - By - ALL RIGHTS RESERVED.

LOC	DIST	REVISIONS			
P	LTR	DESCRIPTION	DATE	DWN	APVD
AF	50	D	REVISED PER ECR-12-013518	26NOV2012	KH PD




1 CONTINUOUS STRIP ON REELS.



SECTION X-X
SCALE 10:1

1217048-1
PART NO.

THIS DRAWING IS A CONTROLLED DOCUMENT.		DWN	JR RUTH	12/18/97	 TE Connectivity											
DIMENSIONS: mm [INCHES]		CHK	MS FEHER	12/18/97												
TOLERANCES UNLESS OTHERWISE SPECIFIED:		APVD	J GILLESPIE	12/18/97												
<table border="0"> <tr><td>0 PLC</td><td>± -</td></tr> <tr><td>1 PLC</td><td>± -</td></tr> <tr><td>2 PLC</td><td>± 0.25 [.010]</td></tr> <tr><td>3 PLC</td><td>± -</td></tr> <tr><td>4 PLC</td><td>± -</td></tr> <tr><td>ANGLES</td><td>± -</td></tr> </table>		0 PLC	± -	1 PLC		± -	2 PLC	± 0.25 [.010]	3 PLC	± -	4 PLC	± -	ANGLES	± -	NAME	
0 PLC	± -															
1 PLC	± -															
2 PLC	± 0.25 [.010]															
3 PLC	± -															
4 PLC	± -															
ANGLES	± -															
MATERIAL BRASS		FINISH TIN		PRODUCT SPEC	SIZE	CAGE CODE	DRAWING NO	RESTRICTED TO								
				APPLICATION SPEC	A3	00779	C-1217048	-								
				WEIGHT	CUSTOMER DRAWING		SCALE	SHEET	REV							
							8:1	1 OF 1	D							