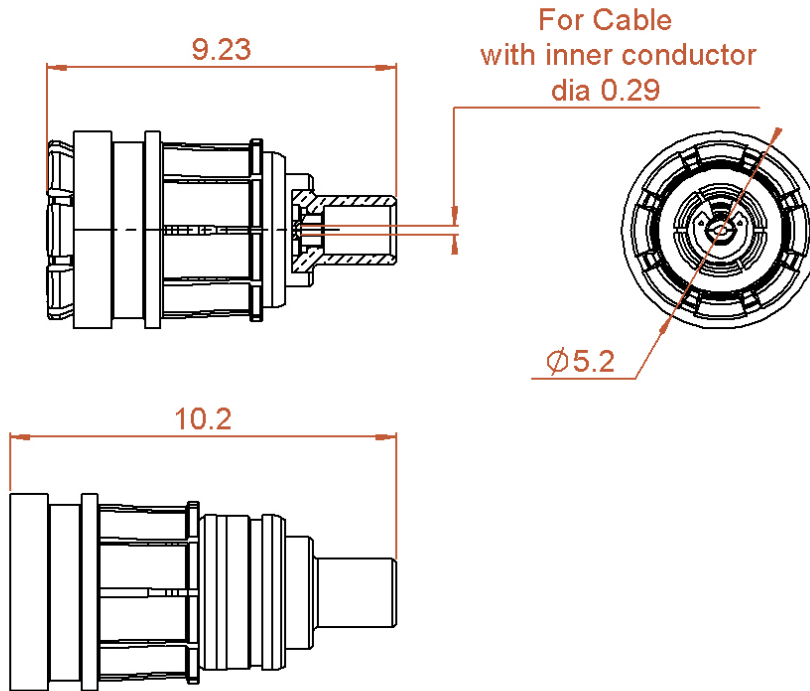
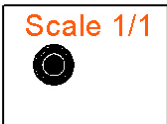
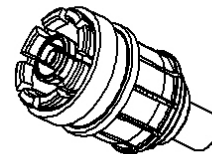


PAGE 1/4	ISSUE 15-04-20A	SERIES SMPM-L	PART NUMBER R201L80000
----------	-----------------	---------------	------------------------

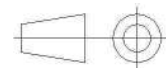
Position Unlocked



Position Locked



All dimensions are in mm. Tolerances according ISO 2768 m-H



COMPONENTS	MATERIALS	PLATING (µm)
Body	BERYLLIUM COPPER	N2PGR
Center contact	BERYLLIUM COPPER	GOLD 1.3 OVER NICKEL2
Outer contact	BERYLLIUM COPPER	N2PGR
Insulator	PTFE+PEEK	
Gasket		
Others parts	BRONZE,BERYLLIUM COPPER	NICKEL, GOLD
-	-	-
-	-	-

PAGE 2/4	ISSUE 15-04-20A	SERIES SMPM-L	PART NUMBER R201L80000
----------	-----------------	---------------	-------------------------------

PACKAGING

Standard 100	Unit Contact us	Other Contact us
------------------------	---------------------------	----------------------------

ELECTRICAL CHARACTERISTICS

Impedance	50	Ω
Frequency	0-65	GHz
VSWR	* + 0,0000	x F(GHz) Maxi
Insertion loss	0.12	√F(GHz) dB Maxi
RF leakage	- (**	- F(GHz)) dB Maxi
Voltage rating	125	Veff Maxi
Dielectric withstanding voltage	250	Veff mini
Insulation resistance	5000	MΩ mini

MECHANICAL CHARACTERISTICS

Center contact retention		
Axial force – Mating End	6.7	N mini
Axial force – Opposite end	6.7	N mini
Torque	NA	N.cm mini
Recommended torque		
Mating	NA	N.cm
Panel nut	NA	N.cm
Clamp nut	NA	N.cm
A/F clamp nut	0,0000	mm
Mating life	500	Cycles mini
Nominal Weight (Add +15% for max weight)	0,6100	g

ENVIRONMENTAL

Operating temperature	-65/+165	°C
Hermetic seal	NA	Atm.cm3/s
Panel leakage	NA	

SPECIFICATION

CABLE ASSEMBLY

Stripping	a	b	c	d	e	f
mm	7,000 0	3,00 00	1,8000 8	0,0000	0,0000	0,0000

Recommended cable(s)

047SC-2901

Characteristics indicated on this data sheet are those that can be achieved with the highest performance cable. Intrinsic limitations of the cable may diminish the performance of the assembly

Cable retention

- pull off	25	N mini
- torque	NA	N.cm

TOOLING

Part Number	Description	Hexagon
R282868370	LOCK AND UNLOCK TOOL (OPTION 1)	
R282740060	BRAZING TOOL SMPM-LOCK	
R282918230	LOCK AND UNLOCK TOOL (OPTION 2)	

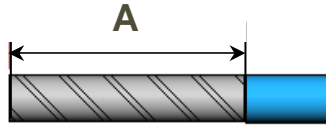
OTHER CHARACTERISTICS

* 1.15 : DC->26.5 Ghz * 1.35 : 26->40Ghz
**-80dB up to 3GHz

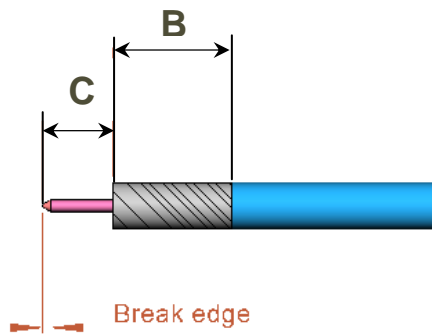
CUSTOMER'S APPROVAL
Department or Company's stamp
Name : Date :
Copy to send back to RADIALL S.A BEFORE :

PAGE 3/4	ISSUE 15-04-20A	SERIES SMPM-L	PART NUMBER R201L80000
----------	-----------------	---------------	------------------------

- Before stripping: Strip jacket, and deep tin the naked braid.



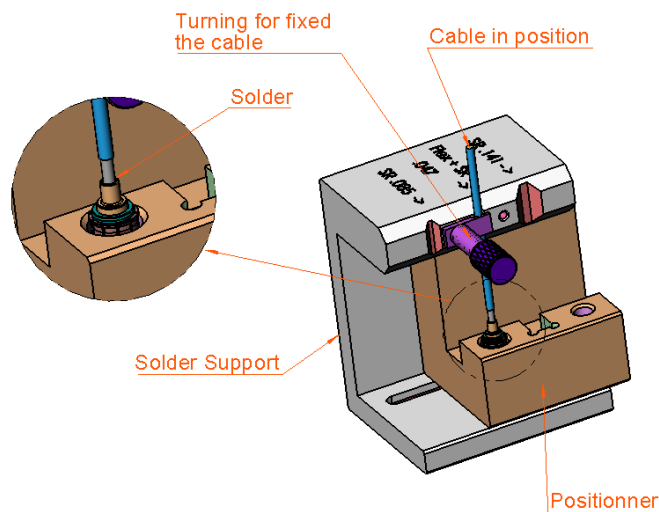
- 1
- Strip the cable inner conductor.
 - Make a Chamfer
 - Clean the cable



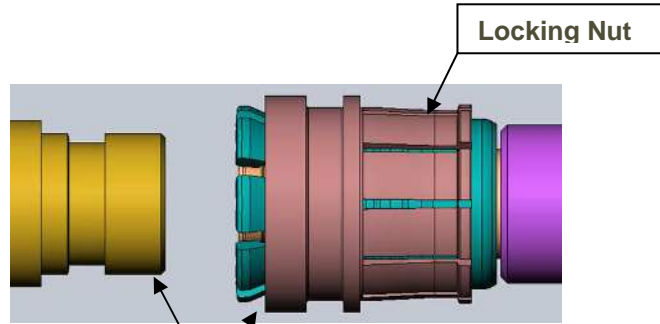
- 2
- Slide the insulator onto the cable inner conductor.



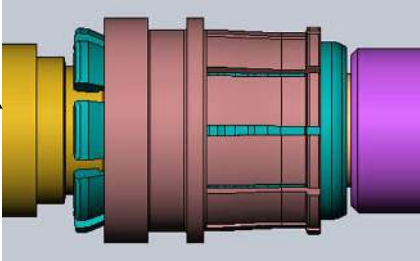
- 3
- Introduce the cable into the connector body until it stops.
 - Slide body into the positioner.
 - Introduce the cable into the connector body until it stops.
 - Place the sub assembly into the assembly and tighten it .
 - Solder the body onto the cable.
 - After cooling remove cable assembly from the jig.



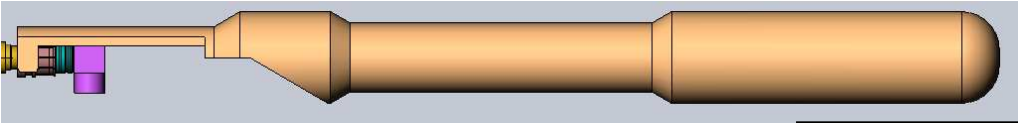
PAGE 4/4	ISSUE 15-04-20A	SERIES SMPM-L	PART NUMBER R201L80000
----------	-----------------	---------------	------------------------



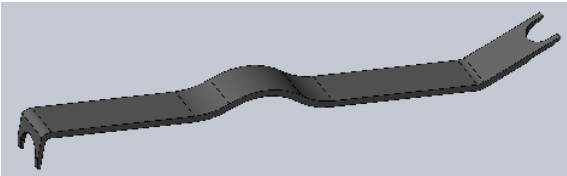
**1- ← Pushed the connector in abutment against the other connector
Do not make the coupling by the locking nut**



**2- ← Pushed to the stop the Locking Nut with the tool
Use Tool Option 1 or 2**



OPTION: 1



OPTION: 2