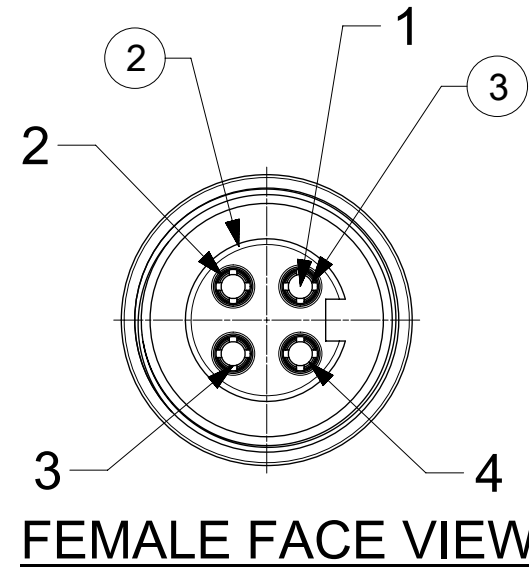
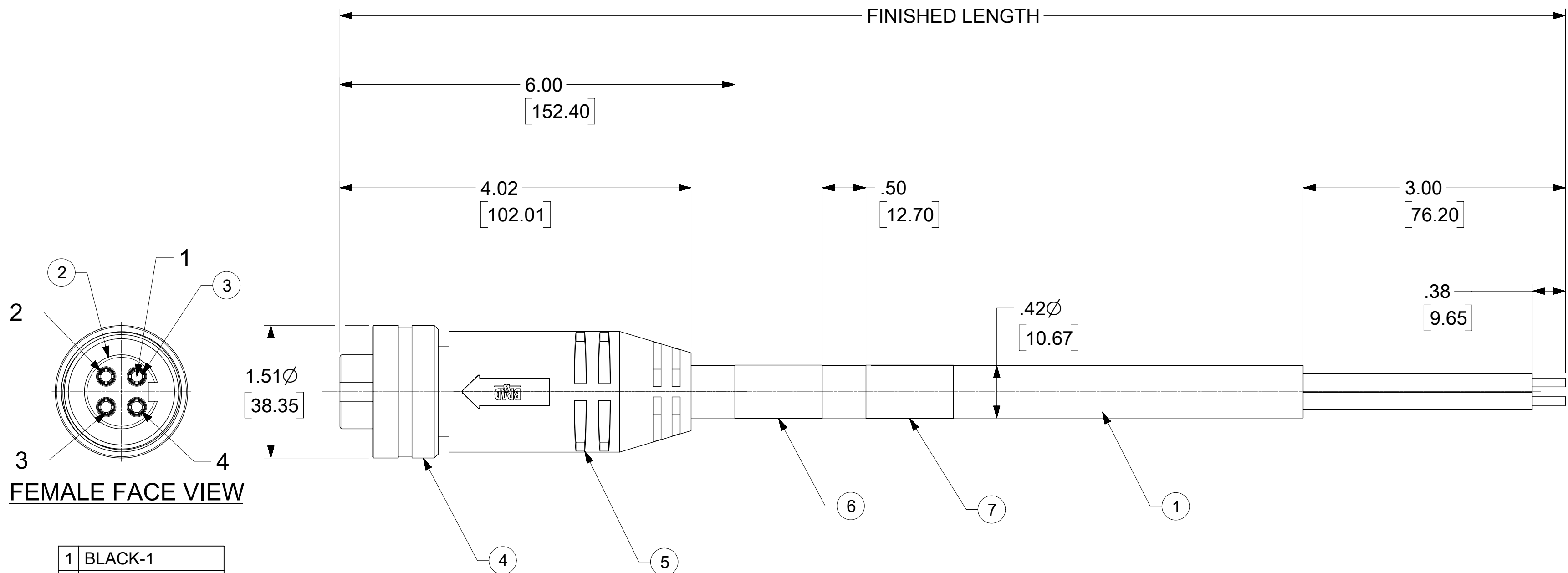


MATERIAL NO.	ENGINEERING NO.	FINISHED LENGTH
1300632025	C04000K29M020	2M (6FT 7IN)



1	BLACK-1
2	GREEN/YELLOW
3	BLACK-3
4	BLACK-2
WIRING DIAGRAM	

P/N LEGEND
C04000K29M020

M001 = 0.1M
M020 = 2.0M
M100 = 10.0M

- NOTES:**
- MATERIAL: AS NOTED
 - FINISHES: AS NOTED
 - ELECTRICAL SPEC:
VOLTAGE: 500V PER IEC60664
600V PER UL2237
CURRENT: 20A
 - TEMP RATING: -20°TO +90°C
 - PROTECTION: IP67 (WHEN MATED)
 - MATING THREAD: 1 3/8-16 UN
 - UL LISTED FILE: PENDING
 - DIMENSIONS ARE FOR REFERENCE
UNLESS TOLERANCED OR NOTED OTHERWISE

CABLE LENGTH TOLERANCES

>.3M [1FT]:	+19mm-0 [+1.75in-0]
.3 - .9M [1 - 3FT]:	+44.5mm-0 [+1.75in-0]
.9 - 1.8M [3 - 6FT]:	+55.6mm-0 [+2.19in-0]
1.8 - 3.7M [6 - 12FT]:	+88.9mm-0 [+3.50in-0]
3.7 - 7.3M [12 - 24FT]:	+165.1mm-0 [+6.50in-0]
7.3-14.6M [24 - 48FT]:	+317.5mm-0 [+12.50in-0]
14.6 - 30.5M [48-100FT]:	+622.3mm-0 [+24.50in-0]
OVER 30M [100FT]	+2% OF FINISHED LENGTH

ITEM	DESCRIPTION	MATERIAL	FINISH
7	WRAP LABEL	VINYL	BLACK/YELLOW
6	WARNING LABEL	VINYL	BLACK/ORANGE
5	OVERMOLD	TPE	BLACK
4	COUPLING NUTS, FEMALE	AL ALLOY	CLEAR ANODIZE
3	CONTACT SOCKET	Cu ALLOY	GOLD PLATED
2	FEMALE INSERT	TPE	BLACK
1	CABLE,4P 12 AWG TC-ER	PVC JACKET	BLACK

THIS DRAWING CONTAINS INFORMATION THAT IS PROPRIETARY TO MOLEX ELECTRONIC TECHNOLOGIES, LLC AND SHOULD NOT BE USED WITHOUT WRITTEN PERMISSION			
SYMBOLS		CURRENT REV DESC: INITIAL RELEASE	
▽ = 0	DIMENSION UNITS: HYBRID	SCALE: 1:1	<p>molex</p> <p>QC BRAD POWER FEMALE STRAIGHT 4P, 12AWG TC-ER CABLE SINGLE KEY</p> <p>PRODUCT CUSTOMER DRAWING</p>
▽ = 0	GENERAL TOLERANCES (UNLESS SPECIFIED)		
▽ = 0	ANGULAR TOL ± °		
▽ = 0	4 PLACES ±		
▽ = 0	3 PLACES ±		<p>EC NO: 633500</p> <p>DRWN: CCHRSTKA 2020/03/05</p> <p>CHK'D: RSTONE 2020/03/06</p> <p>APPR: BWOODMAN 2020/03/11</p>
▽ = 0	2 PLACES ±		INITIAL REVISION:
▽ = 0	1 PLACE ±		DRWN: CCHRSTKA 2020/03/05
▽ = 0	0 PLACES ±		APPR: BWOODMAN 2020/03/11
▽ = 0	DRAFT WHERE APPLICABLE MUST REMAIN WITHIN DIMENSIONS		THIRD ANGLE PROJECTION
▽ = 0	DRAWING		SERIES
C-SIZE		130063	<p>DOCUMENT NUMBER: 1300632025</p> <p>DOC TYPE: PSD</p> <p>DOC PART: 000</p> <p>REVISION: A</p>
MATERIAL NUMBER: SEE TABLE		CUSTOMER: GENERAL	SHEET NUMBER: 1 OF 1