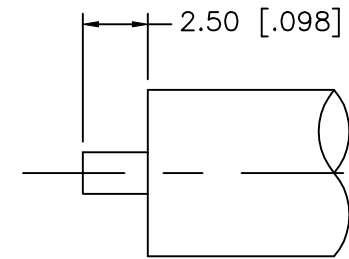
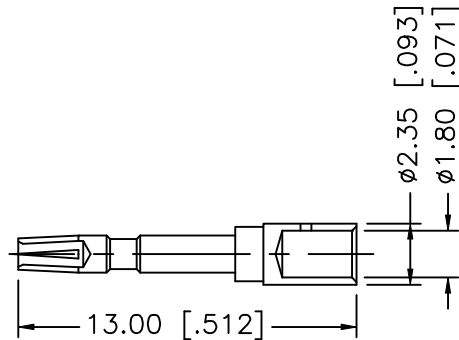
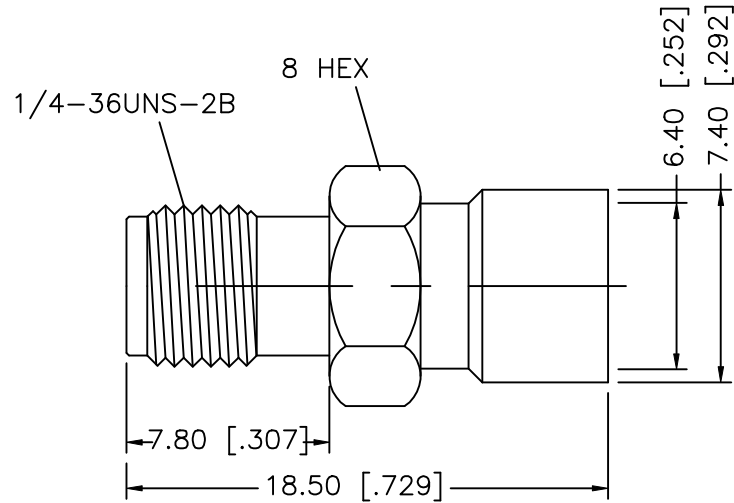


REV.	DATE	DESCRIPTION
NC	06/11/02	INITIAL RELEASE



RECOMMENDED
CABLE STRIPPING DIM'S

NOTE:
1) SOLDER CENTER CONTACT

8				UNLESS OTHERWISE SPECIFIED DIMENSIONS ARE IN MILLIMETERS	APPROVALS	DATE	Amphenol - Connex CONNECTOR CORPORATION					
7			DIMENSIONS IN [] ARE IN INCHES FOR CUSTOMER REFERENCE ONLY		DRAWN	G.R.S.				06/11/02	TITLE SMA DIRECT SOLDER JACK (.250" SEMI RIGID CABLE)	
6					UNLESS OTHERWISE SPECIFIED TOLERANCES FOR INCHES ARE: .XXX = ± 0.005" .XX = ± 0.010" .X = ± 0.020"	CHECKED			SIZE	FSCM NO.		
5						DO NOT SCALE DRAWING	ISSUED			A	99001	132345.DWG
4										SCALE	PART NO.	SHEET
3	CONTACT PIN	BRASS	GOLD						NA	132345	1 OF 1	
2	INSULATOR	TEFLON	NATURAL									
1	BODY	BRASS	GOLD									
	DESCRIPTION	MATERIAL	FINISH									