



- 1
- 2
- 3
- 4
- 5
- 6
- 7
- 8
- 9
- 10
- 11
- 12
- 13
- 14
- 15
- 16
- 17
- 18

CASE

Glass-fibre reinforced polyamide based (PA) technopolymer, black colour, matte finish.
Moulded-in spindle.

BEZEL

Technopolymer. Moulded over the window.

WINDOW

Transparent polyamide based (PA-T) technopolymer (practically unbreakable).

Resistant to solvents, oils, greases and other chemical agents (avoid contact with alcohol during cleaning operations).

DIAL

Natural matte anodised aluminium.
Clockwise or anti-clockwise graduation, black colour.

READING

The black pointer indicates the number of turns of the spindle from the start position (0); the red pointer indicates the fractions of turn.
Ballrace rotation: maximum reading accuracy.

RATIO

To choose the ratio see "Gravity position indicators introduction" (on page 460).

IP PROTECTION

The ultrasonic welding of the window to the case guarantees the complete sealing with IP 67 protection class, see table EN 60529 (on page A-19).

FEATURES AND APPLICATIONS

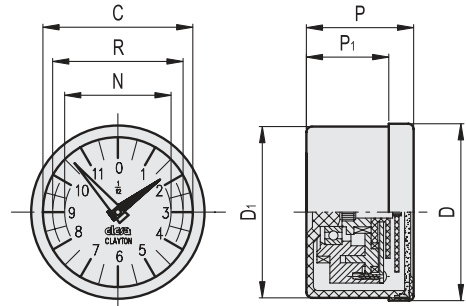
The knobs with integral gravity position indicator are suitable on spindles with horizontal or max 60° inclined axis.
To choose the handwheel see the table "Handwheels/knobs - possible assembly with indicators" (on page 461).

SPECIAL EXECUTIONS ON REQUEST

- Special dial with logo or customised graduations
- Special ratios
- Filling with paraffin oil, maximum continuous working temperature 40°C.
- Single pointer



ELESA Original design



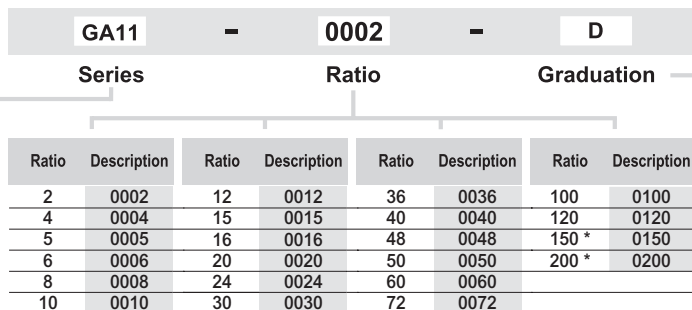
METRIC

Series	D	P	D1	P1	C	R	N	
GA11	49.8	30	48.2	23	42	37	30	75
GA12	68.5	32	67.0	25	60	51	44	125

Conversion Table
1 mm = 0.039 inch

D	
mm	inch
49.8	1.96
68.5	2.70

Example of description for ordering



* Available only for GA12

