

87046-2 ✓ ACTIVE

AMPMODU | AMPMODU IV/V

TE Internal #: 87046-2

Connector Contact, Socket, Wire-to-Board, 24 – 20 AWG Wire Size,
394.71 – 1184.12 CMA Wire Size, .2 – .6 mm² Wire Size, Gold,
AMPMODU IV/V

[View on TE.com >](#)



Connectors > PCB Connectors > Wire-to-Board Connectors > Wire-to-Board Connector Contacts



Contact Type: **Socket**

Connector System: **Wire-to-Board**

Wire Size: **.2 – .6 mm²**

Features

Product Type Features

| | |
|-----------------------------------|---------------|
| Applied Pressure | Intermediate |
| Connector System | Wire-to-Board |
| Connector & Contact Terminates To | Wire & Cable |

Configuration Features

| | |
|-----------------------------------|---------------|
| Compatible With Wire & Cable Type | Discrete Wire |
|-----------------------------------|---------------|

Electrical Characteristics

| | |
|---------------------------------------|---------|
| Termination Resistance | 12 mΩ |
| Insulation Resistance | 5000 MΩ |
| Dielectric Withstanding Voltage (Max) | 750 V |
| Operating Voltage | 250 VAC |

Contact Features

| | |
|--|------------------|
| Mating Square Post Dimension | .64 mm[.025 in] |
| | 30 μin |
| Wire Contact Termination Area Plating Material | Gold over Nickel |
| Contact Base Material | Beryllium Copper |
| Contact Type | Socket |
| Contact Mating Area Plating Material | Gold |
| Contact Current Rating (Max) | 3 A |

Termination Features

| | |
|--|--|
| | |
|--|--|



| | |
|------------------------------------|-------|
| Termination Method to Wire & Cable | Crimp |
|------------------------------------|-------|

Mechanical Attachment

| | |
|-------------------------|------|
| Wire Insulation Support | With |
|-------------------------|------|

Dimensions

| | |
|--------------------------------------|-------------------|
| Compatible Insulation Diameter Range | 1.75 mm [.069 in] |
|--------------------------------------|-------------------|

| | |
|-----------|-------------------------|
| Wire Size | .2 – .6 mm ² |
|-----------|-------------------------|

Usage Conditions

| | |
|-----------------------------|-----------------------------|
| Operating Temperature Range | -65 – 105 °C [-85 – 221 °F] |
|-----------------------------|-----------------------------|

Operation/Application

| | |
|---------------------|----------------|
| Circuit Application | Power & Signal |
|---------------------|----------------|

Industry Standards

| | |
|--------------------|-----------------------|
| Approved Standards | CSA LR7189, UL E28476 |
|--------------------|-----------------------|

Packaging Features

| | |
|--------------------|------|
| Packaging Quantity | 1000 |
|--------------------|------|

| | |
|------------------|-------------|
| Packaging Method | Loose Piece |
|------------------|-------------|

Other

| | |
|----------------------------|---|
| Connector Contacts Comment | (*) For use with Model "K" machines. Call the Technical Assistance Center (1-800-522-6752) for any tooling questions. |
|----------------------------|---|

Product Compliance

[For compliance documentation, visit the product page on TE.com>](#)

| | |
|------------------------------|-----------|
| EU RoHS Directive 2011/65/EU | Compliant |
|------------------------------|-----------|

| | |
|-----------------------------|-----------|
| EU ELV Directive 2000/53/EC | Compliant |
|-----------------------------|-----------|

| | |
|---|---|
| China RoHS 2 Directive MIIT Order No 32, 2016 | No Restricted Materials Above Threshold |
|---|---|

| | |
|--|--|
| EU REACH Regulation (EC) No. 1907/2006 | Current ECHA Candidate List: JUNE 2023 (235) Candidate List Declared Against: JAN 2023 (233) Does not contain REACH SVHC |
|--|--|

| | |
|-----------------|---|
| Halogen Content | Low Halogen - Br, Cl, F, I < 900 ppm per homogenous material. Also BFR/CFR/PVC Free |
|-----------------|---|

| | |
|---------------------------|--|
| Solder Process Capability | Not applicable for solder process capability |
|---------------------------|--|

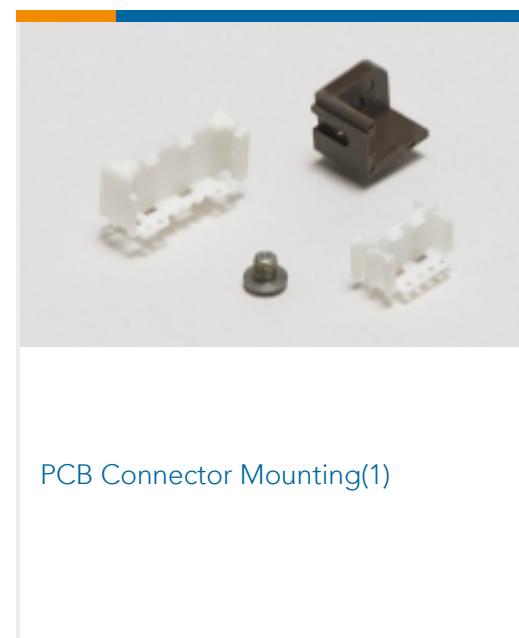
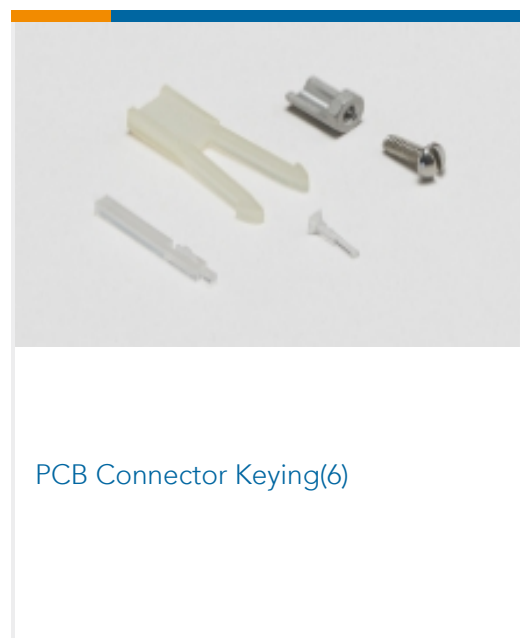
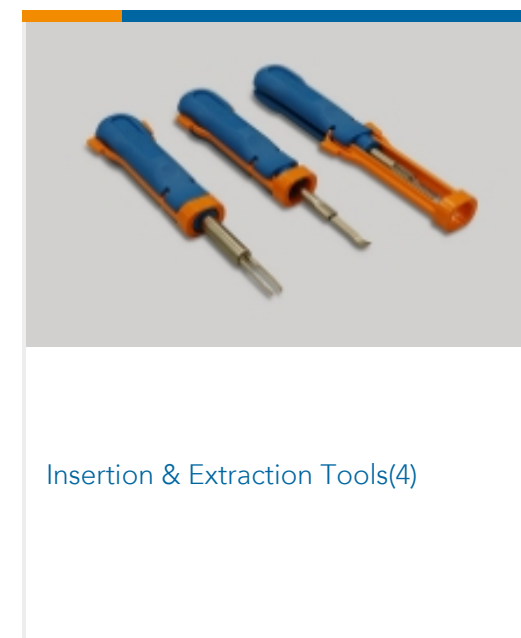
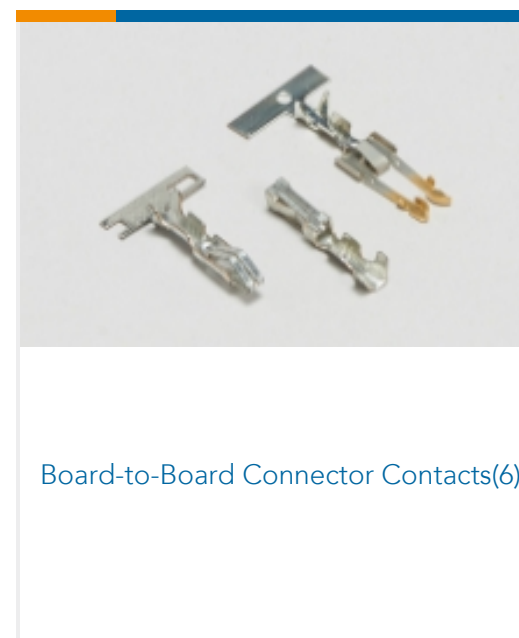
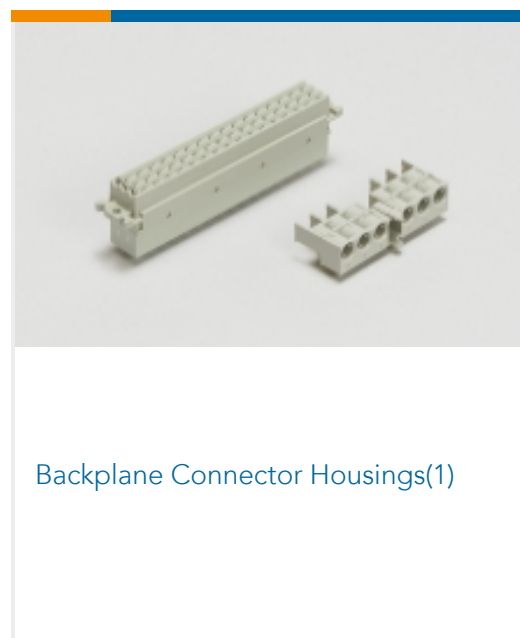
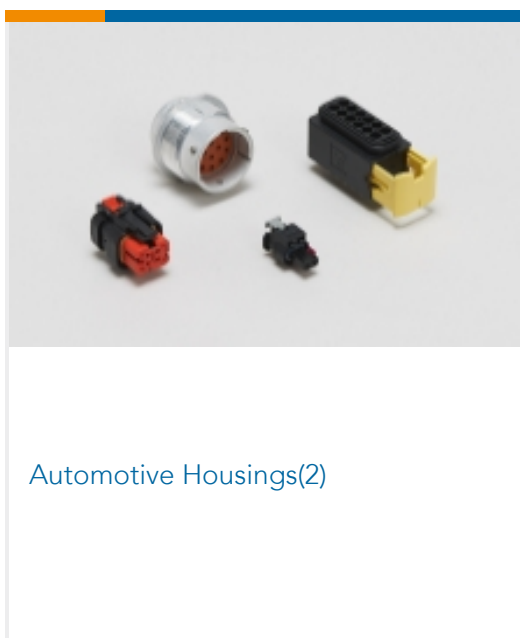
Product Compliance Disclaimer

This information is provided based on reasonable inquiry of our suppliers and represents our current actual knowledge based on the information they provided. This information is subject to change. The part numbers that TE has identified as EU RoHS compliant have a maximum concentration of 0.1% by weight in homogenous materials for lead, hexavalent chromium, mercury, PBB, PBDE, DBP, BBP, DEHP, DIBP, and 0.01% for cadmium, or qualify for an exemption to these limits as defined in the Annexes of Directive 2011/65/EU (RoHS2). Finished electrical and electronic equipment products will be CE marked as required by Directive 2011/65/EU. Components may not be CE marked. Additionally, the part numbers that TE has identified as EU ELV compliant have a maximum concentration of 0.1% by weight in homogenous materials for lead, hexavalent chromium, and mercury, and 0.01% for cadmium, or qualify for an exemption to these limits as defined in the Annexes of Directive 2000/53/EC (ELV). Regarding the REACH Regulation, the information TE provides on SVHC in articles for this part number is based on the latest European Chemicals Agency (ECHA) 'Guidance on requirements for substances in articles' posted at this URL: <https://echa.europa.eu/guidance-documents/guidance-on-reach>

Compatible Parts



Also in the Series | AMPMODU IV/V





PCB Headers & Receptacles(939)



PCB Latches, Locks & Retainers(7)



Rectangular Connector Housings(5)



Standard Rectangular Connectors(8)



Wire-to-Board Connector Assemblies & Housings(465)

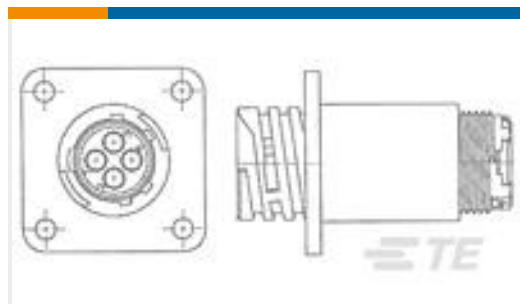


Wire-to-Board Connector Contacts (325)

Customers Also Bought



TE Part #206036-8
RECEPT,SZ 17-16 CPC,W/INSERTS



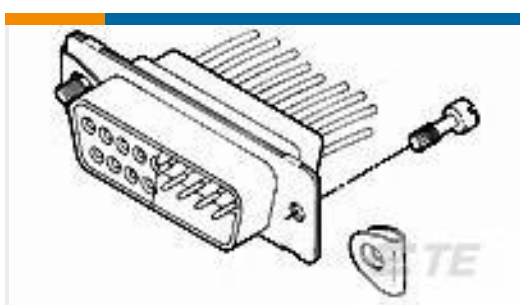
TE Part #1977882-1
SLD CPC RCPT ASSY,13-9,STD SEX,
UV RESIS



TE Part #204502-1
RECEPT ASSY,26 POSN,AMPLIMITE



TE Part #204514-2
RECEPT ASSY,26 POSN,AMPLIMITE



TE Part #5205980-4
SCREW RETAINER KIT



TE Part #66105-2
III+ SKT,24-20,TIN-LEAD,LP



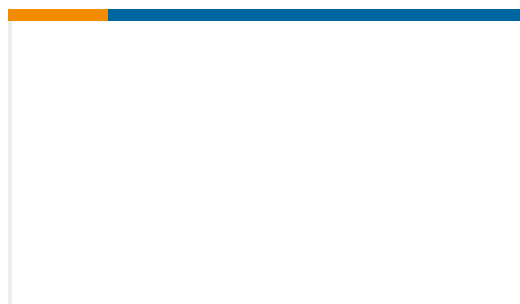
TE Part #102387-1
10 MODIV HSG COMP DR .100 POL



TE Part #66399-4
III+ SKT,24-20,30AU/FL,LP



TE Part #8-52947-1
PG SP SPD 22-16COMM 22-18MIL 4



TE Part #YDT12S-BT1635-2205
BOOT DT 12 WAY PLUG ENHANCED
OVERLAY

Documents



Product Drawings

MOD IV RECP LP

English

Product Specifications

Application Specification

English

Product Environmental Compliance

TE Material Declaration

English