

## Programmable panels RD Part number 88970472



- Compact panels, backlit LCD, for industrial environments, for use with 24 V DC Millenium
  - LED backlighting with 3 colours : green, orange and red, for improved visibility
  - Display of predefined objects : text, data, bar charts, trend curve
  - TrueType fonts for better display quality in Latin, Cyrillic, Greek, Simplified Chinese or Katakana
  - Direct communication via the Millenium 3 programming port or via Modbus protocol
  - Simple user-friendly programming using Vijeo Designer Lite (compatible with Windows XP Professional or 32-bit Vista Professional)
- N401**
- Resolution : 122 x 32 pixels
  - 1 line of 5 characters to 4 lines of 20 characters
- RT511**
- Touch panel (Touch-screen matrix 11 x 5 cells)
  - Resolution : 198 x 80 pixels
  - 2 lines of 5 characters to 10 lines of 33 characters

### Part numbers

Type	Designation
88970472 RD	N401 "direct" user kit (N401 panel, N401 link cable →M3)

### Specifications

#### General characteristics

#### Environmental characteristics

Certifications	EC, UL	EC, UL
Conformity to standards	IEC 61131-2, UL508, CSA C22-2 no. 14	IEC 61131-2, UL508, CSA C22-2 no. 14
Operating temperature	0 →+55 °C	0 →+55 °C
Storage temperature (°C)	-20 →+60 °C	-20 →+60 °C
Relative humidity	0 →85 % (without condensation)	0 →85 % (without condensation)
Protection rating	Front : IP65 according to IEC 60529, Nema 4X ("out door use") Rear : IP20 according to IEC 60529	Front : IP65 according to IEC 60529, Nema 4X ("out door use") Rear : IP20 according to IEC 60529
Shock resistance	According to IEC 60068-2-27, semi-sinusoidal impulse 11 ms, 15 gn on 3 axes	According to IEC 60068-2-27, semi-sinusoidal impulse 11 ms, 15 gn on 3 axes
Vibration resistance	IEC 60068-2-6, ± 3,5 mm, 2 →8,45 Hz, 1 gn 8,45 →150 Hz	IEC 60068-2-6, ± 3,5 mm, 2 →8,45 Hz, 1 gn 8,45 →150 Hz
Resistance to electrostatic discharge	According to IEC 61000-4-2, level 3	According to IEC 61000-4-2, level 3
Resistance to HF interference	According to IEC 61000-4-3, 10 V/m According to IEC 61000-4-4, level 3	According to IEC 61000-4-3, 10 V/m According to IEC 61000-4-4, level 3

#### Electrical characteristics

Supply voltage	24 VDC	24 VDC
Voltage limits	18 →30 VDC± 5 %	18 →30 VDC± 5 %
Consumption	5 W max.	5 W max.

#### Mechanical characteristics

Dimensions (l x h x w)	132 x 74 x 43 mm Useful screen area (W x H) : 17.36 x 59 mm	132 x 118 x 39 mm Useful screen area (W x H) : 40 x 89 mm
Panel cut-out	119,4 x 63 mm± 0,4	119,6 x 105,2 mm± 0,5
Density	1 →5	1 →5
Mounting	Flush-mounted, fixed with 2 spring clips supplied pressure-mounted for panels	Flush-mounted, fixed with 4 spring clips supplied pressure-mounted for panels
Weight (g)	380	550

#### Display characteristics

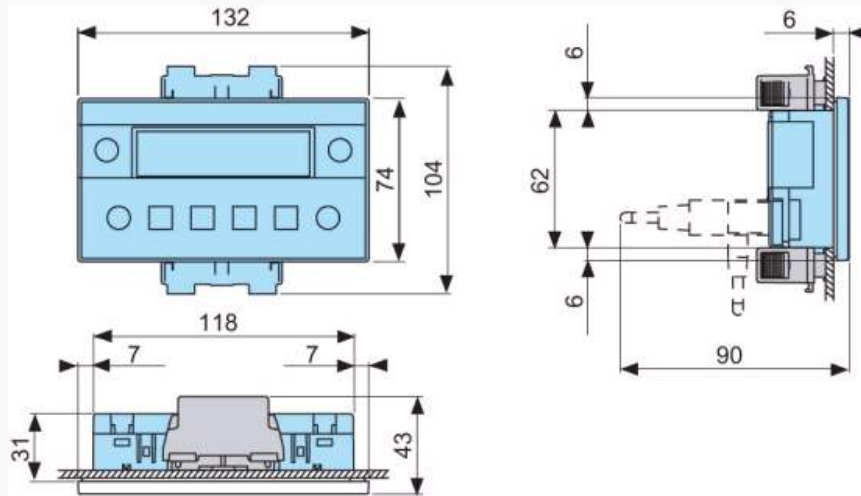
Description	High brightness backlit LCD Resolution : 122 x 32 pixels 1 line of 5 characters to 4 lines of 20 characters LED backlighting in 3 colours : green, orange, red 512 Kb flash memory	High brightness backlit LCD Resolution : 198 x 80 pixels 2 lines of 5 characters to 10 lines of 33 characters LED backlighting with 3 colours : green, orange, red 512 Kb Flash memory
Display unit touch-sensitive zone	NA	Matrix, 11 x 5 cells
Language	English, French, German, Italian, Spanish	English, French, German, Italian, Spanish
Display details	Latin, Cyrillic, Greek, Katakana and Simplified Chinese	Latin, Cyrillic, Greek, Katakana and Simplified Chinese
Status indication	6 LEDs	13 LEDs + buzzer
Number of screens	25 lines/page max. Applications : 200 pages Alarms : 256 pages	10 lines/page max. Applications : 200 pages Alarms : 256 pages
Connection	RS 232C/RS 485 Removable 3-pin screw terminal block Direct link using the Millenium programming port via the communication OR printer cable	RS 232C/RS 485 Removable 3-pin screw terminal block Direct link using the Millenium programming port via the communication OR printer cable

Connector : 25-pin female SUB-D (RS 232C/RS 485) Connection : Multidrop	Connector : Female RJ45 (RS 232C/RS 485) Connection : Multidrop	
Protocol	Modbus, Millenium 3 (SLIn & SLOut)	Modbus, Millenium 3 (SLIn & SLOut)

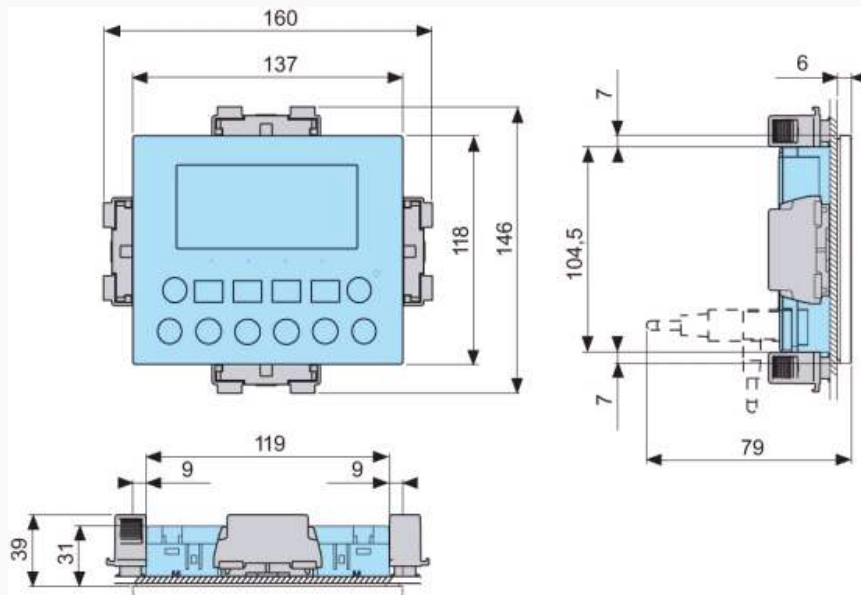
**Accessories**

Type	Description	Code
MA	Protective sleeves for N401 (in packs of 10)	88970475
MA	Sheets of labels for N401 (in packs of 10 sheets of 6 labels)	88970476
MA	N401 front panel sealing kit (flush-mounting frame)	88970477
MA	Protective sleeves for RT511 (in packs of 10)	88970485
MA	Sheets of labels for RT511 (in packs of 10 sheets of 6 labels)	88970486
MA	RT511 front panel sealing kit (flush-mounting frame)	88970487
MA	Printer cable for N401 & RT511 DB9 →Mini-Din (RS232) *	88970489
PA	PC : USB →DB9 (RS 232) link cable	88950105

**Dimensions (mm)**

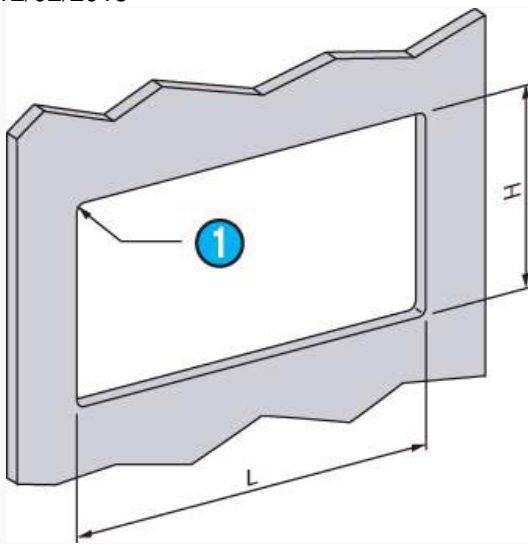


**Dimensions (mm)**



**Dimensions (mm)**

Panel cut-out

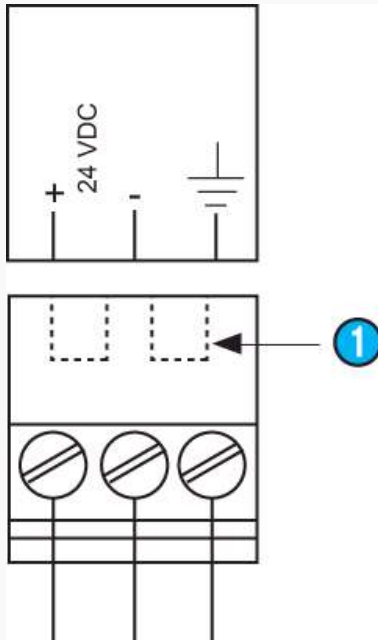


N401 : L = 119.4 ±0.4 H = 63 ±0.4 RT511 : L = 119.6 ±0.5 H = 105.2 ±0.5

N°	Legend
①	R = 1.5 mm max.

### Connections

N401 & RT511



N°	Legend
①	*** TRADUCTION MANQUANTE ***