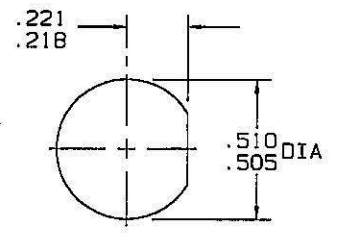
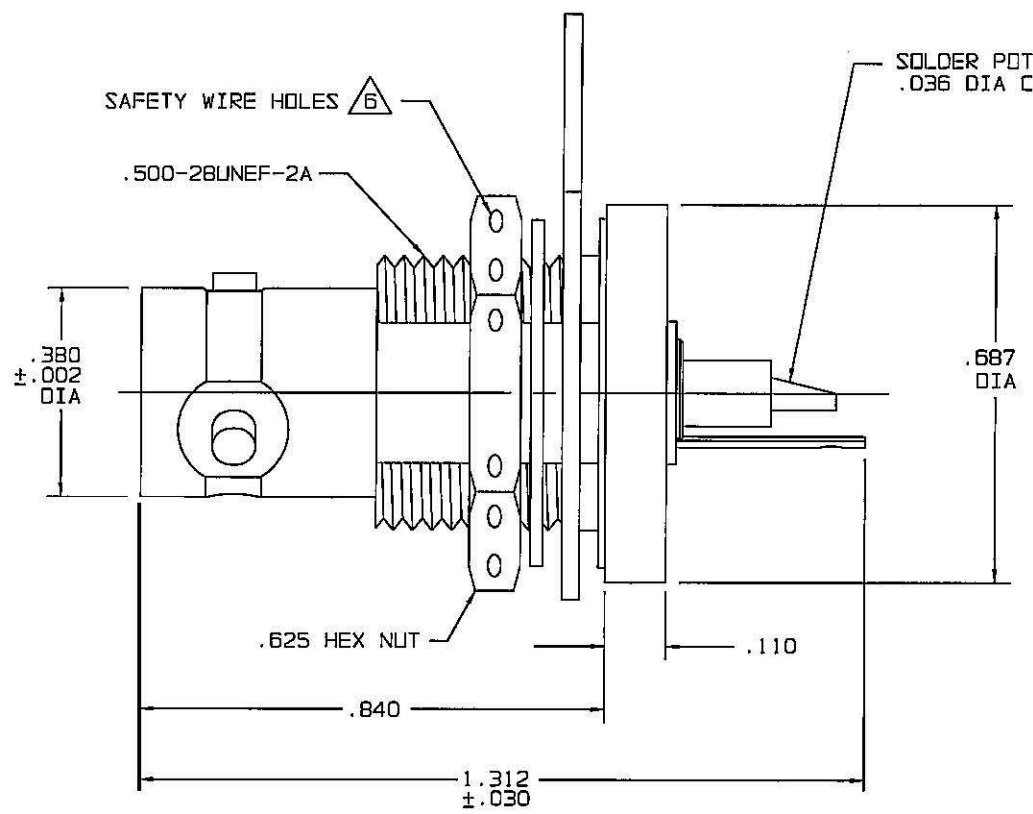
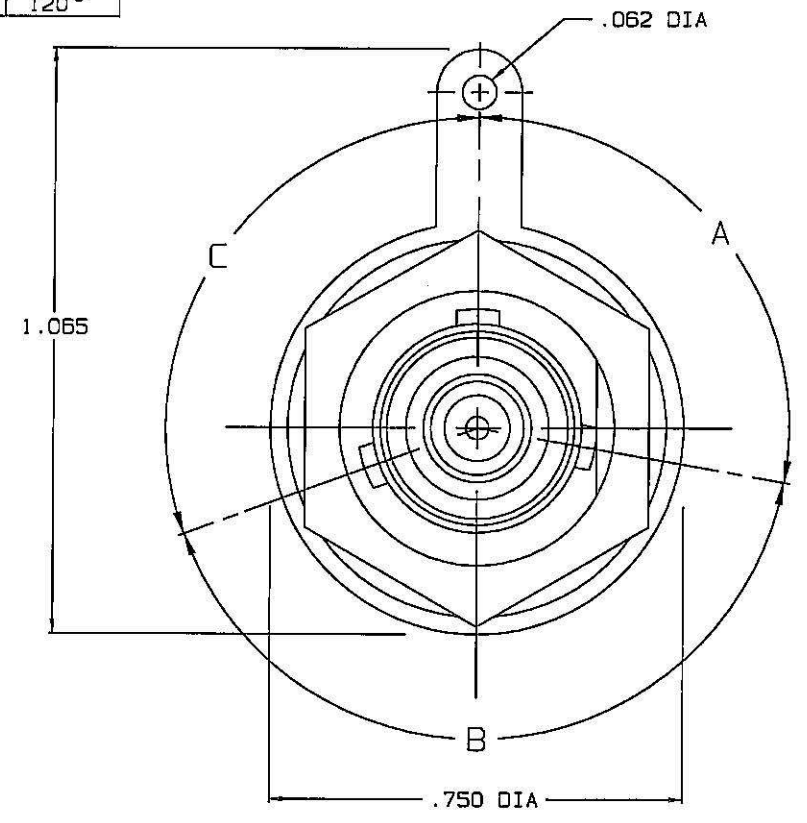


DATA CONTAINED IN THIS DOCUMENT IS PROPRIETARY TO TROMPETER ELECTRONICS INC. AND SHALL NOT BE DISCLOSED, COPIED OR USED FOR PROCUREMENT OR MANUFACTURE WITHOUT EXPRESS WRITTEN PERMISSION OF TROMPETER ELECTRONICS INC.

REVISIONS		3-0128	SH 1
REV	DESCRIPTION	DATE	APPROVED
G	REVISED PER ECO 15465	5-19-04	NM

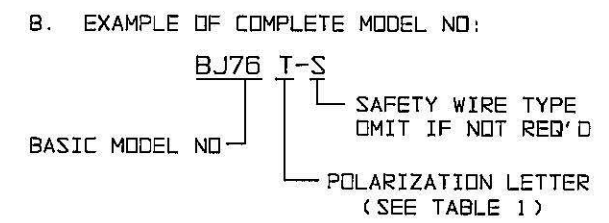
DASH NO	KEYING LETTER	A DEGREES	B DEGREES	C DEGREES
-1	T	100°	150°	110°
-2	U	120°	130°	110°
-3	V	115°	130°	115°
-4	W	125°	110°	125°
-5	X	130°	100°	130°
-6	Y	110°	140°	110°
-7	Z	100°	160°	100°
-8	S	135°	135°	90°
-9	NONE	120°	120°	120°



RECOMMENDED
PANEL CUTOUT
SCALE: 2/1

△ HEX NUT WITH SAFETY HOLES IS SUPPLIED WHEN SUFFIX "-S" (SAFETY WIRW TYPE) IS REQ'D ONLY

- IF SAFETY WIRE TYPE REQ'D, ADD SUFFIX "-S" TO MODEL NO AND PART NO, (SEE NOTE 7 & 8)
- MAX PANEL THK .240 W/O SOLDER LUG
.208 THK W/ SOLDER LUG
- CONCENTRIC TWINAX/TRIAX TRB
REAR MOUNT SOLDER POT
BULKHEAD RECEPTACLE
- FINISH: NICKEL
- ALL DIM ARE IN INCHES



<small>INTERPRET DRAWING PER MIL-STD-100 DIMENSIONS ARE IN INCHES AND INCLUDE FINISH THICKNESS UNLESS OTHERWISE SPECIFIED</small> DRAWN: AAH CHECKED: <i>MMash</i> 5/14/04 QUALITY: <i>MMash</i> 5/14/04 HANDLE: <i>MMash</i> 5/14/04 APPROVED: <i>MMash</i> 5/14/04 CAD FILE NO: 3-0128G	<small>TOL: UNLESS SPECIFIED</small> .XX ±.01 .XXX ±.005 .XXXX ±.0010 ANGLES ± 0° 30' MATERIAL: FINISH:		TITLE: BJ76/T/U/V/W/ X/Y/Z/S/-S
NEXT ASSY	SIZE: B CAGE CODE: 14949 SCALE: 4/1		DRAWING NO.: 3-0128 DATE: 12/15/87 SHEET: 1C