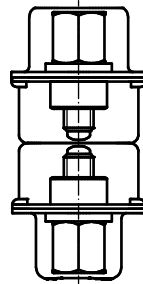
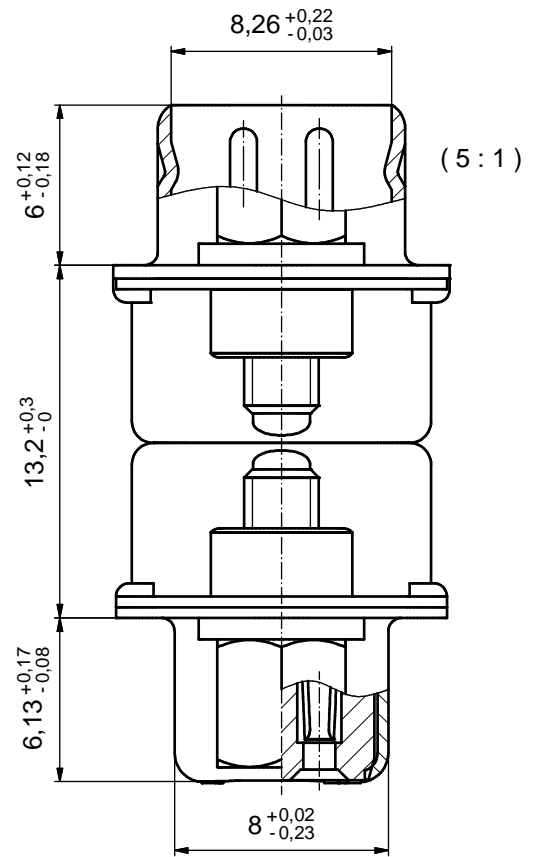


Directive 2002/95/EC RoHS compliant



NOTES:

1. METALSHELLS: STEEL; min. 315µin TIN over 40-80µin NICKEL
2. INSULATORS: HIGH TEMPERATURE PLASTIC UL 94 V-0; BLACK
3. CONTACTS: COPPER ALLOY
PLATING: GOLD FLASH over NICKEL
4. THREADED INSERTS: COPPER ALLOY; min. 200µin TIN over 80µin NICKEL
5. COLLARS: COPPER ALLOY; min. 200µin TIN over 80µin NICKEL
6. HEX BOLT: STEEL; NICKEL PLATED
7. SPRING RINGS: STEEL; NICKEL PLATED
8. CAPACITANCE: 2 x 370pF±20%
9. DIELECTRIC WITHSTANDING VOLTAGE: 300 VDC
10. MAXIMUM TORQUE VALUE FOR THREAD: 6 in.LB
11. CONNECTOR IS PART MARKED: MAP2XAAAH02R741X CONEC ABC

THIS DRAWING MAY NOT BE COPIED OR REPRODUCED IN ANY WAY, AND MAY NOT BE PASSED ON TO A THIRD PARTY WITHOUT WRITTEN PERMISSION. OWNERSHIP AND COPYRIGHT OF CONEC GmbH DO NOT ALTER CAD DRAWING BY HAND				tolerance		dim. in mm	scale: 2:1 (5:1)	
				date			material: SEE NOTES	
a		Original	drawn 24.07.13		Lehmenkühler		title: D-SUB PI FILTER ADAPTER PLUG / SOCKET, 15pos. with threaded insert, hex bolt and spring ring	
rev.		description	appd. 24.07.13		Koch			
norm		d-old		dwg no: Inventor 10		DIN-A3		
part no:		24K1A1459		sh: 1		part no: MAP2XAAAH02R741X		

