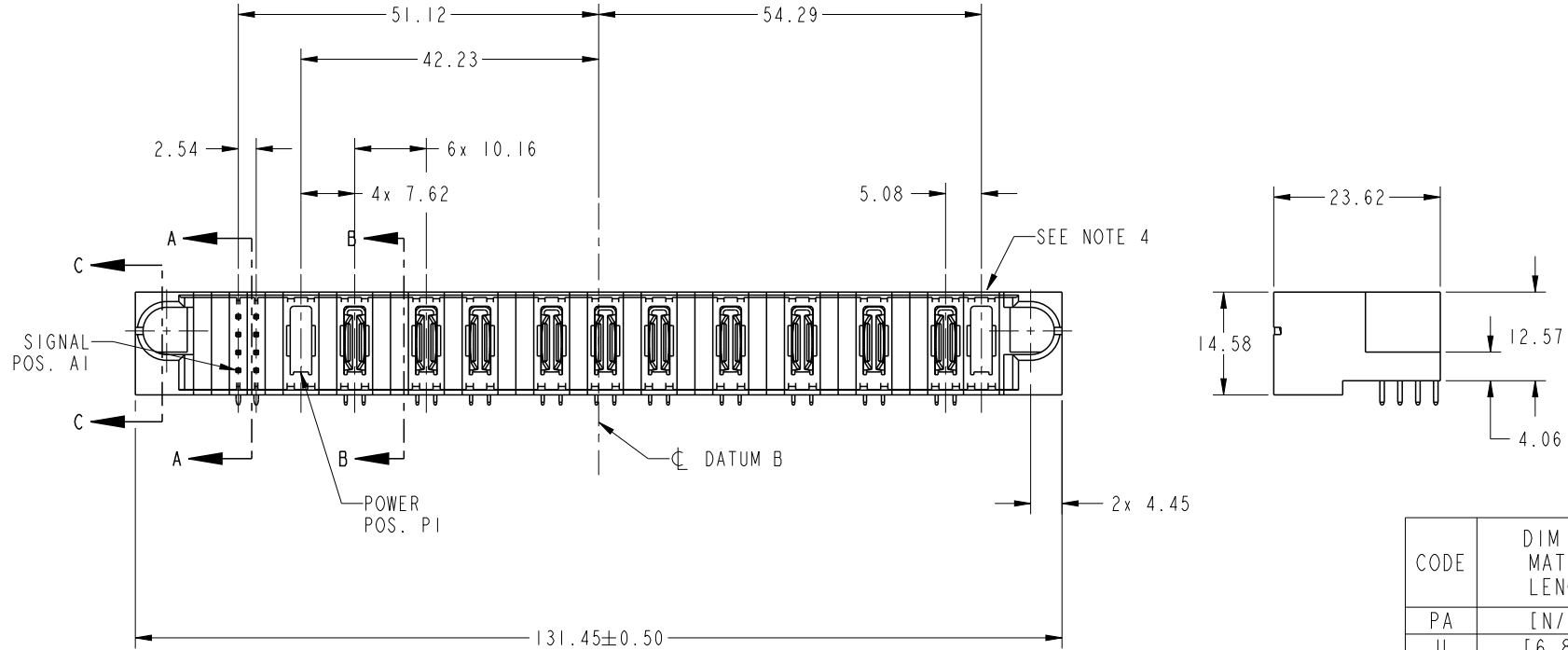


PRODUCT NO.	ROWS	S		POWER												E2		
		E1	1	2	P1	P2	P3	P4	P5	P6	P7	P8	P9	P10	P11		P12	
51939-869-- NOTE 3	DCBA																	



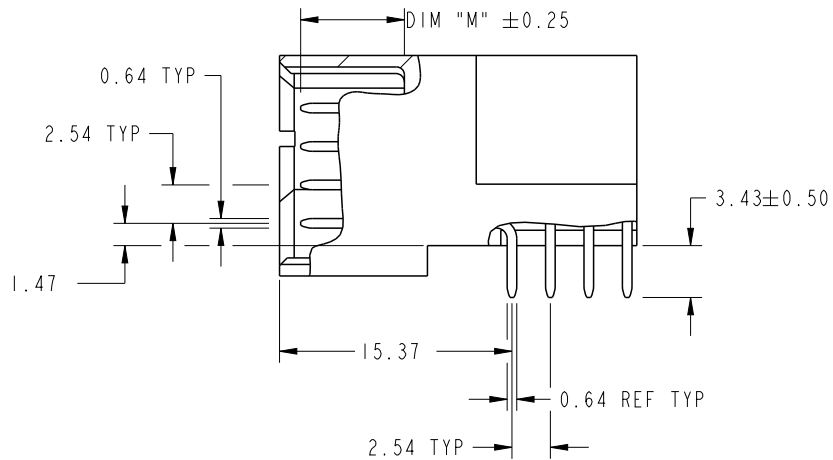
CODE	DIM "M" MATING LENGTH	CONTACT TYPE
PA	[N/A]	POWER
U	[6.86]	SIGNAL
T	[6.86]	SIGNAL
S	[6.86]	SIGNAL
R	[6.86]	SIGNAL
H	[5.59]	SIGNAL
X	[N/A]	OMITTED

spec ref	*	dr	Ruan MT	2014/05/11	projection	MM	size	A4	scale	1:1
tolerance std	ASME Y14.5	eng	Ruan MT	2014/07/22		←→	ecn no	-	rel level	Released
TOLERANCES UNLESS OTHERWISE SPECIFIED		chr	-	-						
surface	linear	appr	Pei-Ming Zheng	2014/07/22	product family	PwrBlade	rev			
ASME Y14.5	angular			title	8S + 12P		dwg no		51939-869	
		www.fci.com		RIGHT ANGLE SOLDER HEADER						A
		cat. no.		-		Product - Customer Drw		sheet 1 of 4		

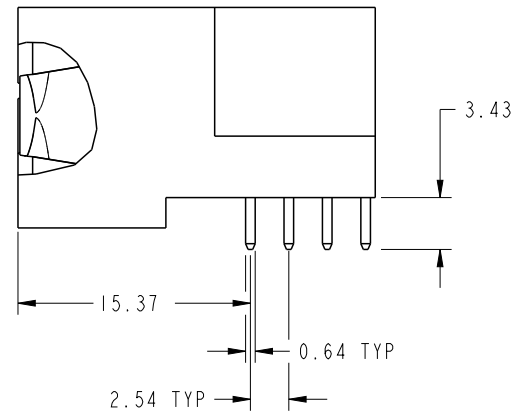
PrdE File - REV C - 2009-06-09

PRODUCT NUMBER

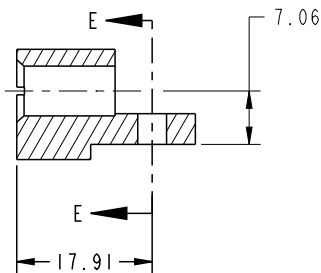
51939-869--
NOTE: 3



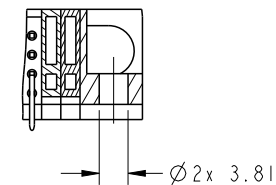
BROKEN-OUT SECTION A-A
SCALE 2:1



BROKEN-OUT SECTION B-B
SCALE 2:1



SECTION C-C

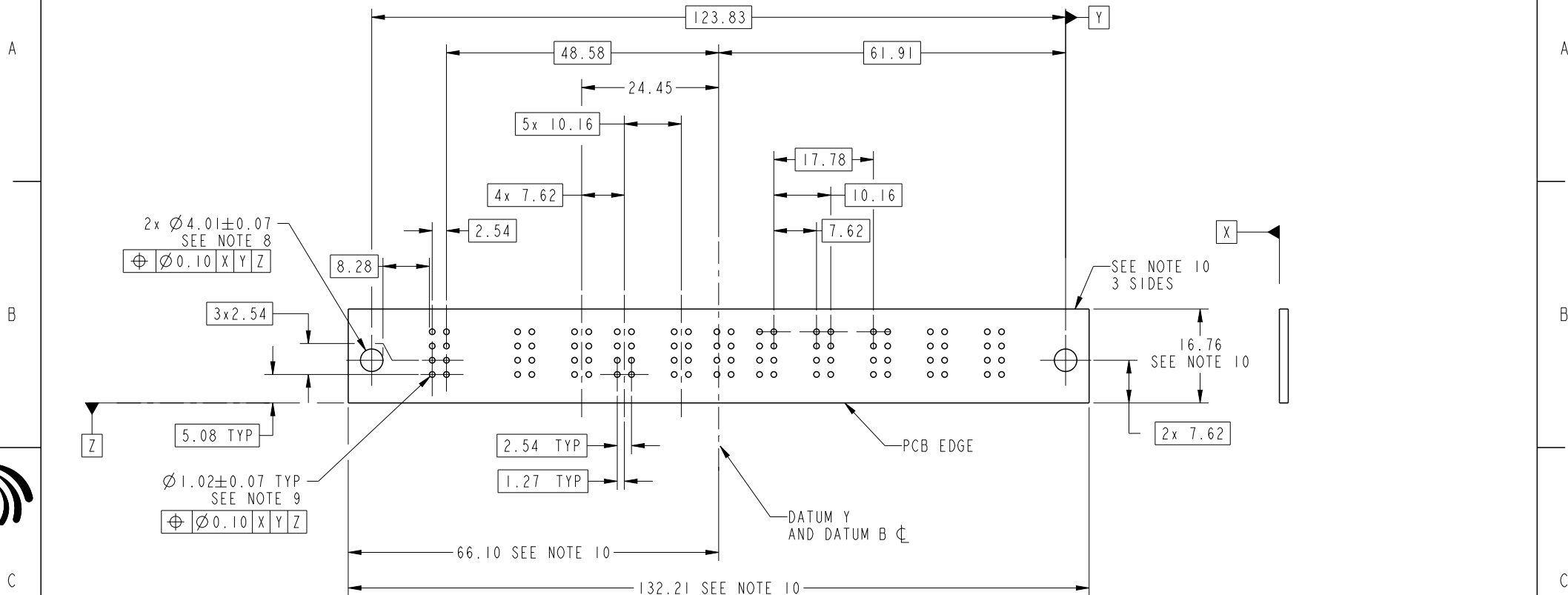


PARTIAL SECTION E-E

dr	Ruan MT	2014/05/11	projection 	MM ←→	size	A4	scale	1:1
eng	Ruan MT	2014/07/22			ecn no	-		
chr	-	-			rel level	Released		
appr	Pei-Ming Zheng	2014/07/22	product family	PwrBlade	rev	A		
	title	8S + 12P RIGHT ANGLE SOLDER HEADER		dwg no	51939-869			
www.fci.com	cat. no.	-	Product - Customer Drw	sheet 2 of 4				

PRODUCT NUMBER

51939-869__
NOTE: 3



RECOMMENDED PCB LAYOUT

dr	Ruan MT	2014/05/11	projection 	MM 	size	A4	scale	1:1	
eng	Ruan MT	2014/07/22			ecn no	-			
chr	-	-			rel level	Released			
appr	Pei-Ming Zheng	2014/07/22	product family	PwrBlade					
		title	8S + 12P RIGHT ANGLE SOLDER HEADER		dwg no	51939-869		rev	A
www.fci.com		cat. no.	-	Product - Customer Drw			sheet 3 of 4		

PRODUCT NUMBER

51939-869__
NOTE: 3

NOTES:

1. DIMENSIONS AND TOLERANCES ARE IN ACCORDANCE WITH ASME Y14.5M, 1994 UNLESS OTHERWISE SPECIFIED.

CONNECTOR NOTES:

- 2. HOUSING MATERIAL: UL 94 V-0 GLASS FILLED HIGH-TEMP THERMOPLASTIC
POWER CONTACT MATERIAL: COPPER ALLOY
SIGNAL PIN MATERIAL: COPPER ALLOY
- 3. SEE ITEM 1 & 2 IN PRINT 10064183 FOR PLATING SPEC OF 51939-869 AND 51939-869LF RESPECTIVELY.
- 4. MANUFACTURER'S NAME, DATE CODE AND OPTIONAL P/N TO APPEAR ON THIS SURFACE. THE MARK CAN BE OMITTED IF THERE IS NOT ENOUGH SPACE ON THIS SURFACE.
- 5. PRODUCT SPECIFICATION GS-12-149.
APPLICATION SPECIFICATION BUS-20-067.
- 6. PACKAGED IN TRAYS.

PCB NOTES:

- 7. ALL HOLE DIAMETERS ARE FINISHED HOLE SIZE.
- 8. MOUNTING HOLES, WHERE APPLICABLE, ARE UNPLATED.
- 9. $\varnothing 1.151 \pm 0.025$ DRILLED HOLES PLATED WITH
0.008 MIN SnPb OR Sn OVER 0.03
TO 0.08 Cu PLATING TO ACHIEVE
 $\varnothing 1.02 \pm 0.07$ HOLE.
- 10. CONNECTOR KEEP-OUT ZONE.



Copyright FCI.

dr	Ruan MT	2014/05/11	projection 	MM 	size	A4	scale	1:1		
eng	Ruan MT	2014/07/22			ecn no	-				
chr	-	-			product family	PwrBlade	rel level	Released		
appr	Pei-Ming Zheng	2014/07/22			title	8S + 12P RIGHT ANGLE SOLDER HEADER	dwg no	51939-869	rev	A
www.fci.com		cat. no.	-	Product - Customer Drw			sheet 4 of 4			