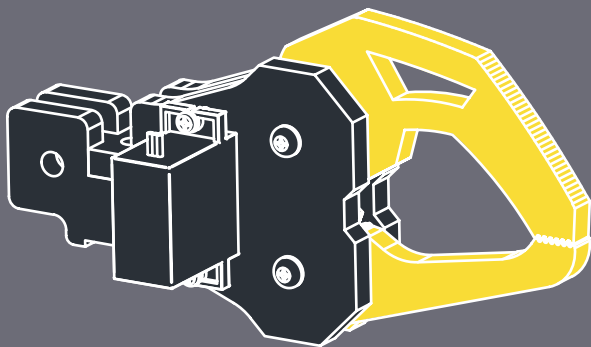


Kitronik

GET TO GRIPS WITH THE

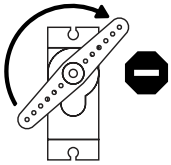
:MOVE Motor Klaw



V1.0

BUILD INSTRUCTIONS

1

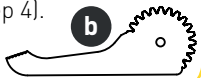


Connect a horn to the servo axle and gently rotate clockwise until it stops. Then rotate back an 1/8 turn.

2

Remove the horn from the servo and follow the diagram to assemble the rest of your Klaw.

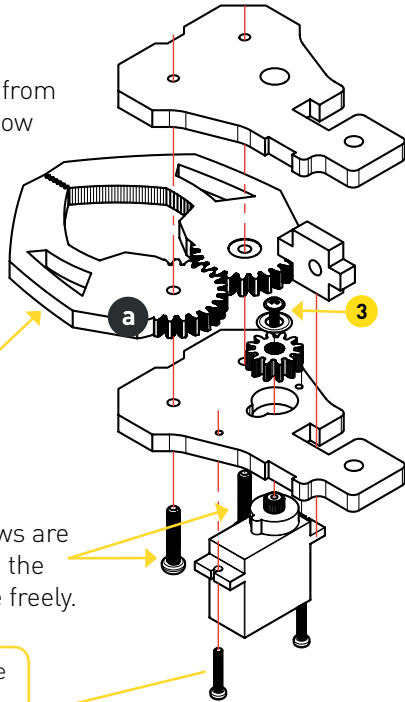
Note: There are two kinds of Klaw in this kit! Swap out this pincer to switch between builds (see step 4).



3

Check these screws are loose enough that the pincers can rotate freely.

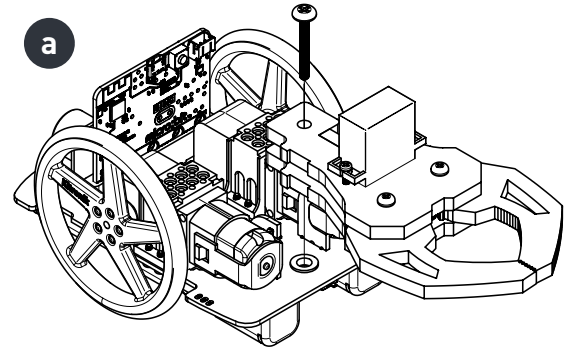
Take care not to damage the servos wires when tightening these screws!



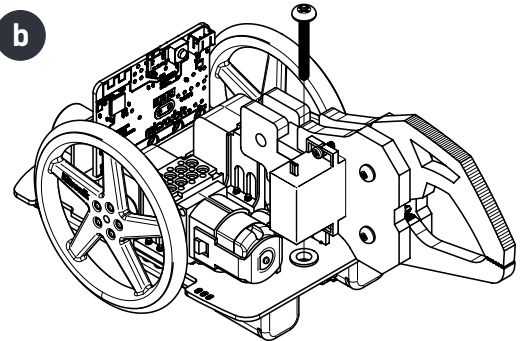
4

Attach to your :MOVE Motor using the M4 bolt into the mounting hole as shown below, then connect the servo lead to one of the servo pin headers on the :MOVE Motor. You can mount the Klaw vertically or horizontally based on which mounting hole you use.

a



b



Visit www.kitronik.co.uk/5696 for coding tutorials!



TOOLS REQUIRED

• Small Phillips Screwdriver

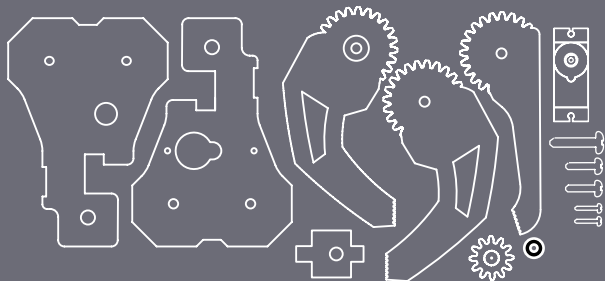


STOCK CODE

5696



CONTENTS




! **WARNING:** May inspire creativity

T: +44 (0) 115 970 4243

W: www.kitronik.co.uk

E: support@kitronik.co.uk



Designed & manufactured
in the UK by 



[kitronik.co.uk/twitter](https://www.kitronik.co.uk/twitter)



[kitronik.co.uk/facebook](https://www.kitronik.co.uk/facebook)



[kitronik.co.uk/youtube](https://www.kitronik.co.uk/youtube)



[kitronik.co.uk/instagram](https://www.kitronik.co.uk/instagram)



For more information on RoHS and CE please visit kitronik.co.uk/rohs-ce. Children assembling this product should be supervised by a competent adult. The product contains small parts so should be kept out of reach of children under 3 years old.