

4

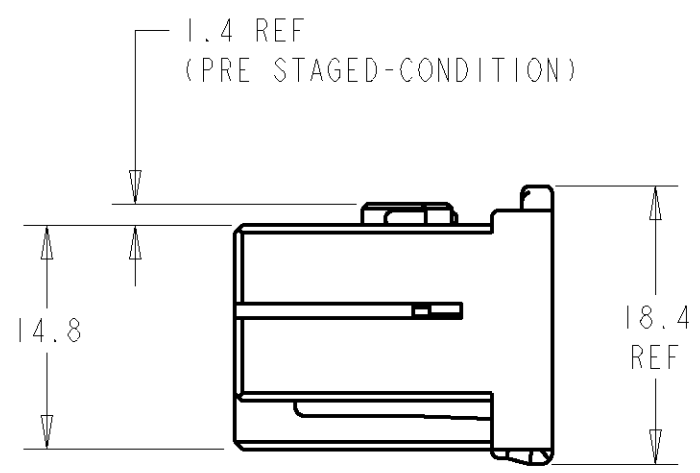
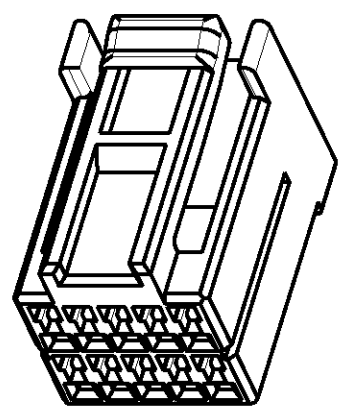
3

2

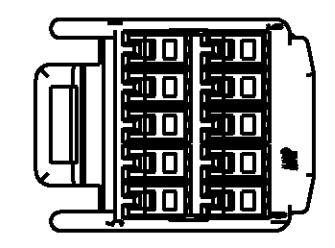
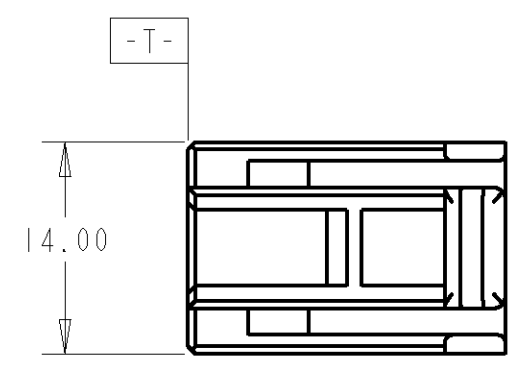
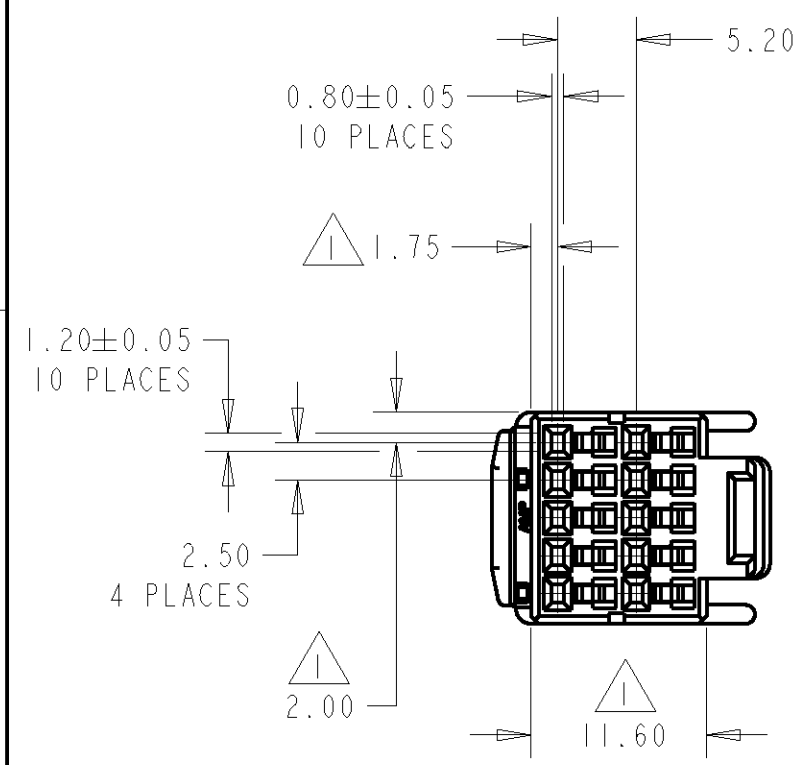
1

THIS DRAWING IS UNPUBLISHED. RELEASED FOR PUBLICATION .19
 © COPYRIGHT 20 BY AMP INCORPORATED. ALL RIGHTS RESERVED.

LOC	DIST	REVISIONS			
P	LTR	DESCRIPTION	DATE	DWN	APVD
FX	55	O	RELEASED PER 0K80-0336-04	08OCT2004	AG RMC
		A	REVISED PER 0K80-0401-04	21OCT2004	AG RMC
		B	REVISED PER EC 0K80-0036-05	24FEB2005	RGV RMC
		BI	REVISED PER ECR 05-001202	05MAR2007	DLD RMC



△ MUST BE KEPT BETWEEN [-T-] AND 2.00mm FROM [-T-]
 2. APPLIED CONTACT PART NUMBERS:
 175265 TIN PLATING
 175266 SELECT GOLD PLATING.



WHITE	BLACK	1438794-2
WHITE	NATURAL	1438794-1
LOCK PLATE COLOR	HOUSING COLOR	PART NUMBER

<small>THIS DRAWING IS A CONTROLLED DOCUMENT FOR AMP INCORPORATED. IT IS SUBJECT TO CHANGE AND THE CONTROLLING ENGINEERING ORGANIZATION SHOULD BE CONTACTED FOR THE LATEST REVISION.</small>		DWN AJ GRAFF 08OCT04 CHK R COOPER 08OCT04 APVD R COOPER 08OCT04	AMP Tyco Electronics Harrisburg, PA 17105-3608
DIMENSIONS: mm 	TOLERANCES UNLESS OTHERWISE SPECIFIED: 0 PLC ±- 1 PLC ±0.3 2 PLC ±0.15 3 PLC ±- 4 PLC ±- ANGLES ±1°	PRODUCT SPEC 108-5342 APPLICATION SPEC - WEIGHT -	NAME 040 MULTILOCK, 10 POSITION, PLUG ASSEMBLY, WITH LOCK PLATE, KEY B SIZE A3 CAGE CODE 00779 DRAWING NO C-1438794 RESTRICTED TO -
MATERIAL PBT	FINISH -	CUSTOMER DRAWING	SCALE 2:1 SHEET 1 OF 1 REV BI