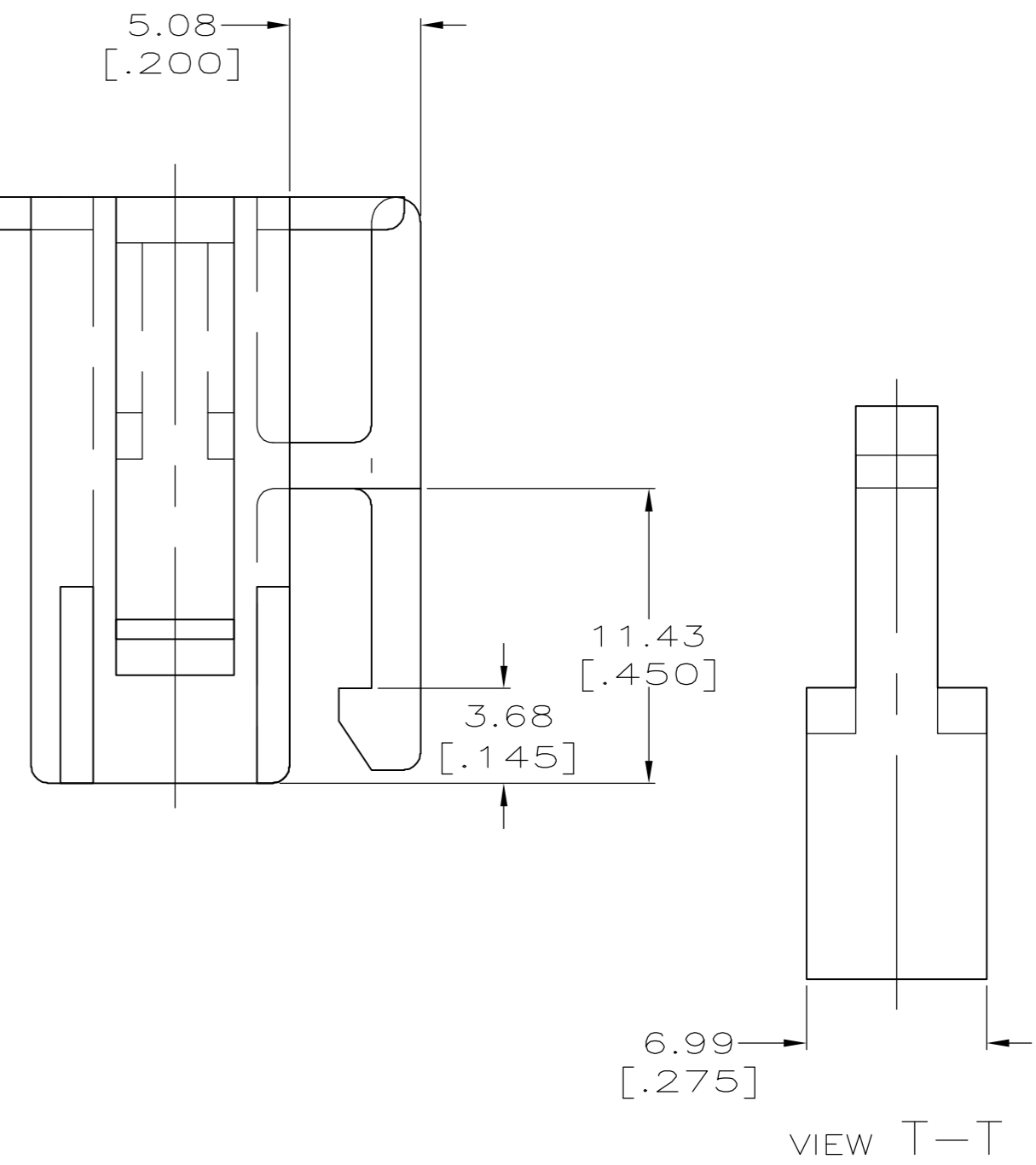
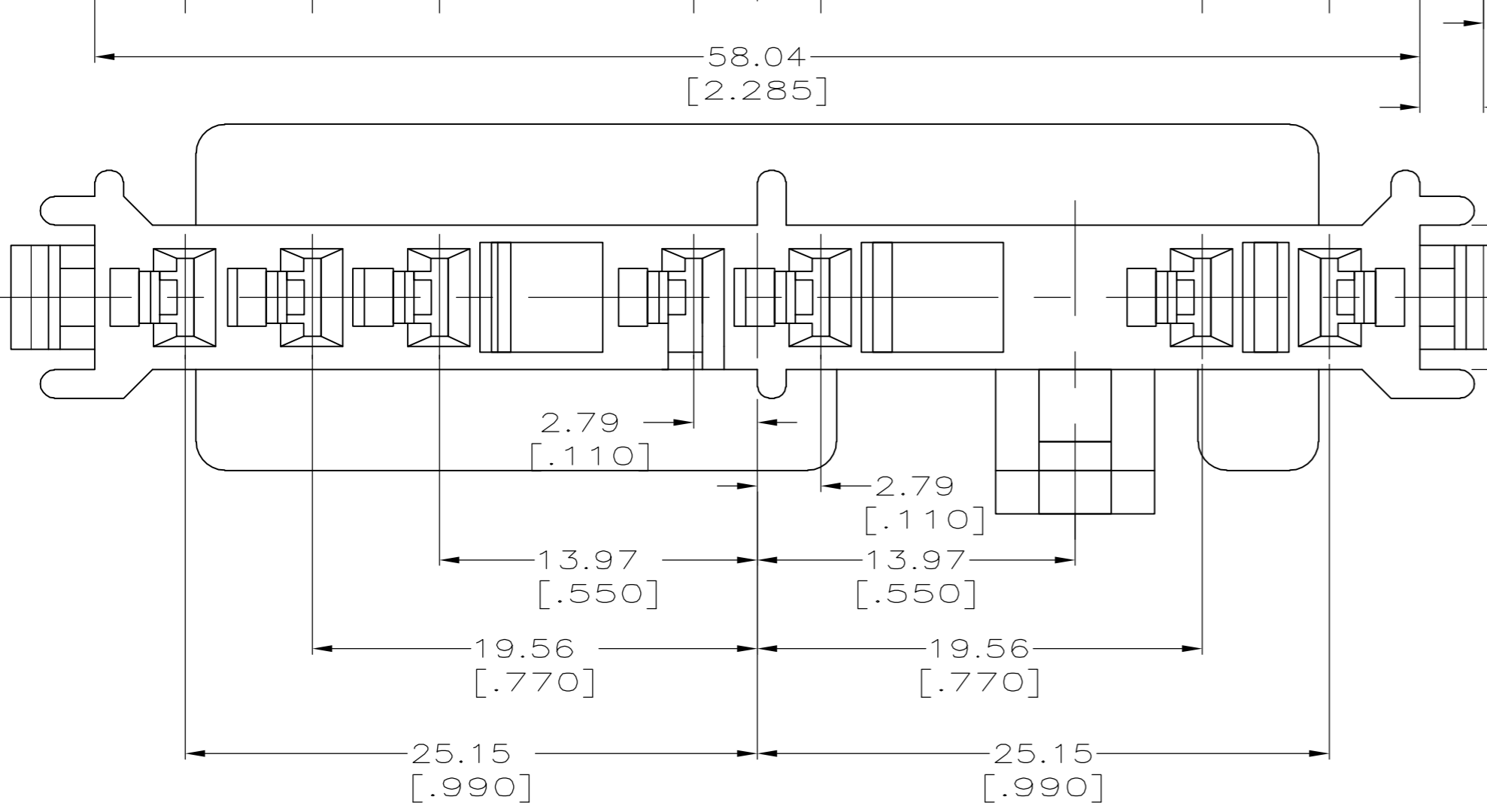
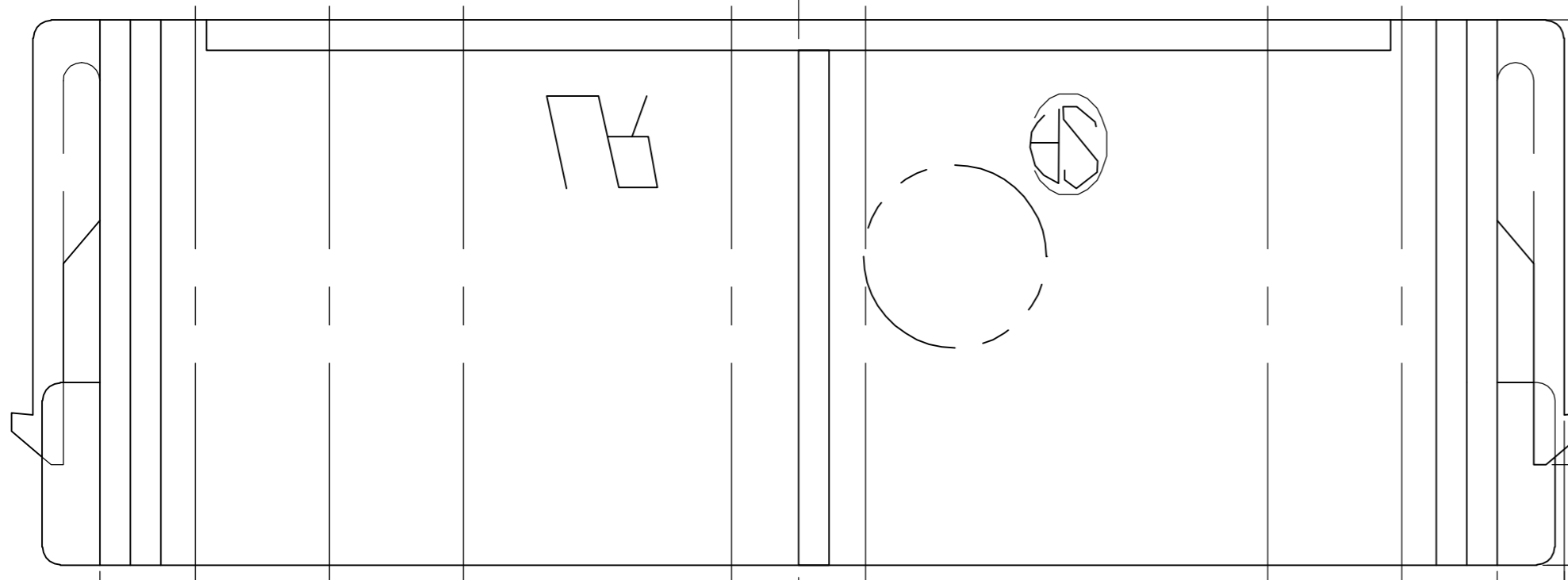
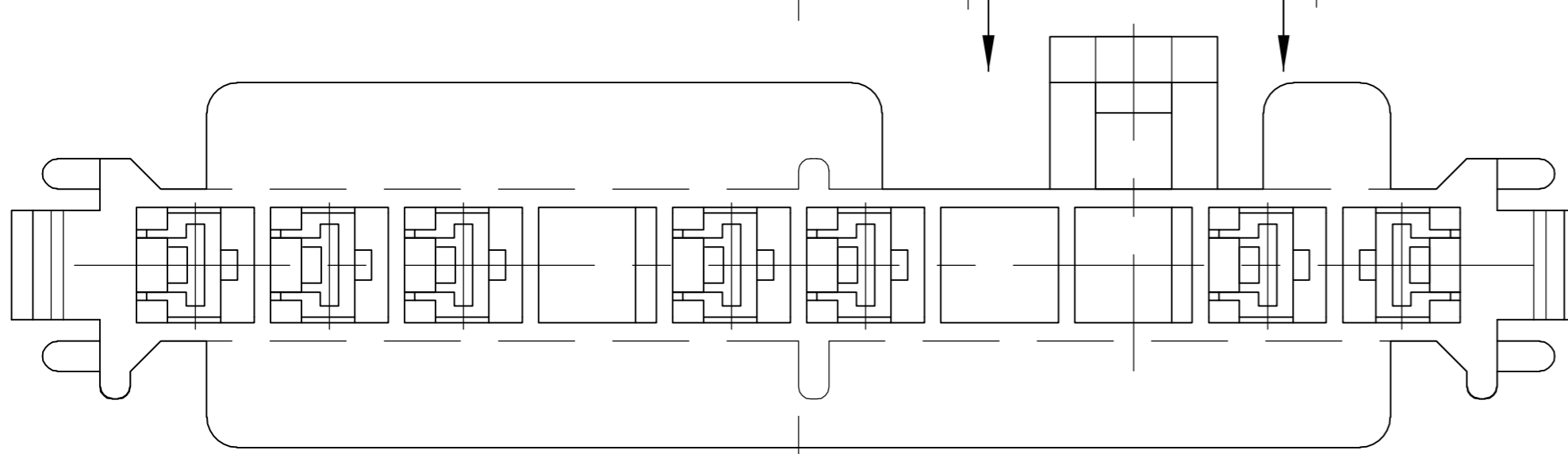
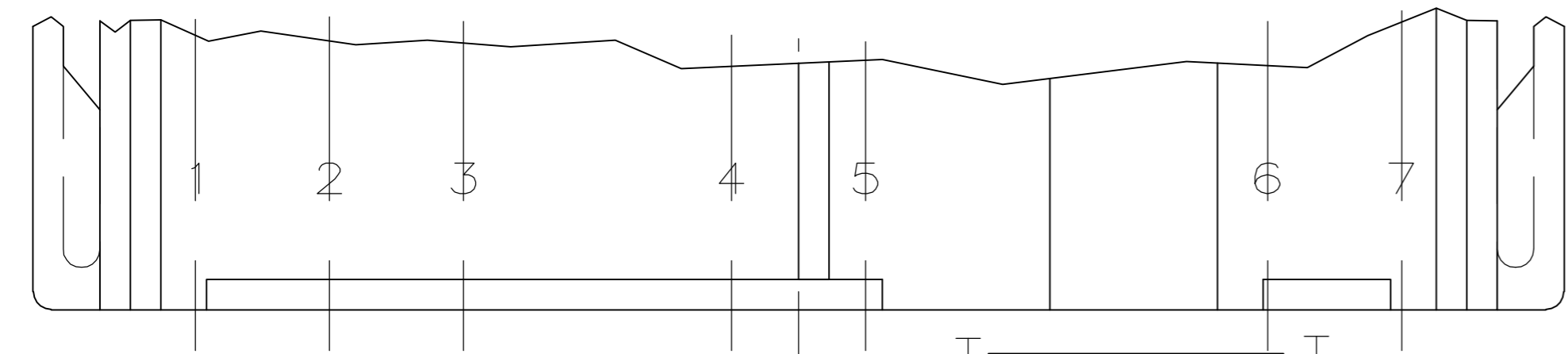


THIS DRAWING IS UNPUBLISHED. RELEASED FOR PUBLICATION
 © COPYRIGHT BY TYCO ELECTRONICS CORPORATION. ALL RIGHTS RESERVED.

LOC		DIST		REVISIONS					
AF		50		P	LTR	DESCRIPTION	DATE	DWN	APVD
				C		REV PER 0G3A-0026-04	21JAN2004	RF	DD

1 HOUSING ACCEPTS (7) 3.18 [.125] BLADE RECEPTACLES
 AMP P/N 770642-1.



VIEW T-T

THIS DRAWING IS A CONTROLLED DOCUMENT.		DWN	02/OCT/96	 Tyco Electronics Corporation Lickdale, PA 17038
		CHK	02/OCT/96	
		JEFF R RUTH		NAME
		APVD		PRODUCT SPEC
		APPLICATION SPEC		APPLICATION SPEC
		FINISH		WEIGHT
		CUSTOMER DRAWING		SCALE
DIMENSIONS: INCHES 		TOLERANCES UNLESS OTHERWISE SPECIFIED: 0 PLC ± - 1 PLC ± - 2 PLC ± 0.25 [.010] 3 PLC ± - 4 PLC ± - ANGLES ± 1°		SIZE A2
MATERIAL		FINISH		CAGE CODE
6/6 NYLON		COLOR-NATURAL		00779
				DRAWING NO
				C=521090
				RESTRICTED TO
				1 OF 1
				REV C