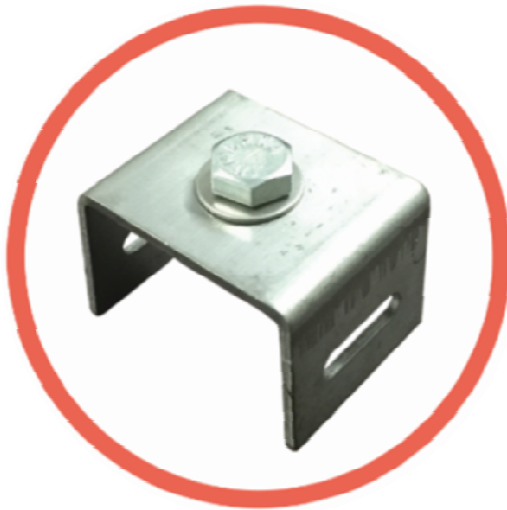


Brackets – Data Sheet





Brackets Data Sheet

Index

1 – Introduction	03
2 – Description	03
3 – Characteristics	03
3.1 – General Characteristics	03
3.2 – Chemical Composition Characteristics	03
4 – Dimensional	04
5 – Packing and Transportation	06
6 – Remarks	06

1 – Introduction

This specification is designed to define manufacturer characteristics and the use of Fechometal plate fixation bracket. Information about products operation, main characteristics and dimensions will be described in this document.

2 – Description

Fechometal brackets are used to fix plates in internal and external areas. It can be used in poles and posts allowing a perfect installation.

3 – Characteristics

3.1 – General Characteristics

- Easy application;
- High weather resistance;
- Corrosion resistance.

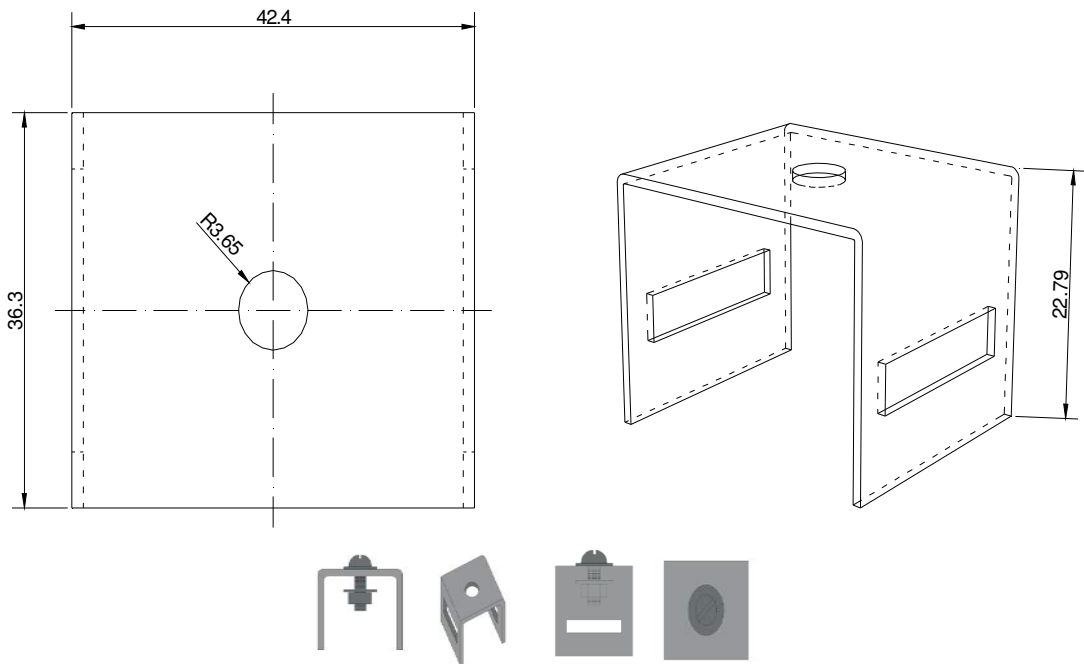
3.2 – Chemical Composition Characteristics

The brackets can be supplied in the following materials:

- Stainless steel 304;
- Stainless steel 430;
- Carbon steel SAE 1020.

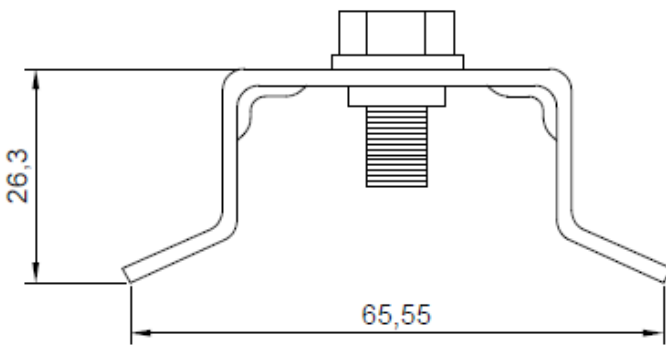
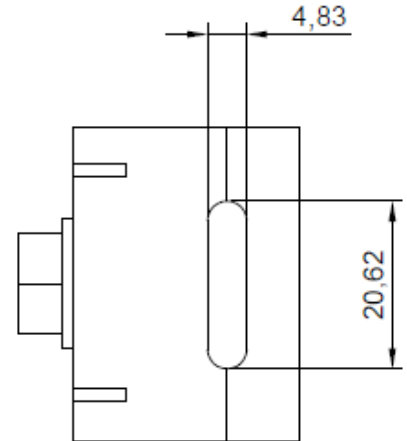
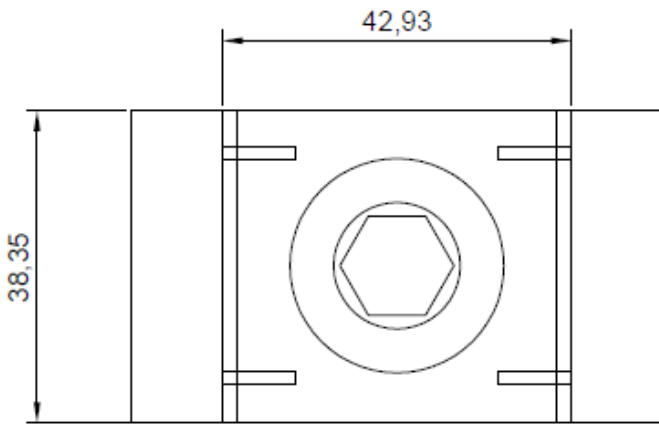
4 – Dimension (mm)

Straight Leg Brackets



- Steel plate thickness of 2mm;
- Band of maximum 3/4" wide;
- Includes hex head screw 3/8" x 5/16" and flat washer.

Flared Leg Brackets



Thickness
1.78 ± 0.076mm

- Steel plate thickness of 1.8mm;
- Band of maximum 3/4" wide;
- Includes hex head screw 3/8" x 5/16" and flat washer.

5. Packing and Transportation

The Fechometal plates fixing Brackets are packed in boxes (50 units) which preserve its original features and allow a perfect transport and storage.

Each box is identified with the following information:

- Product name;
- Type of material;
- Package quantity;
- Origin

6. Remarks

Any comments, suggestions or other information related to this document may be directed to Fechometal Development Sector (engenharia@fechometal.com).