

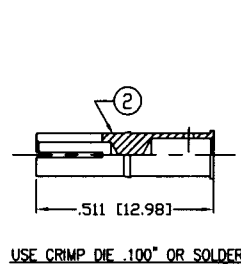
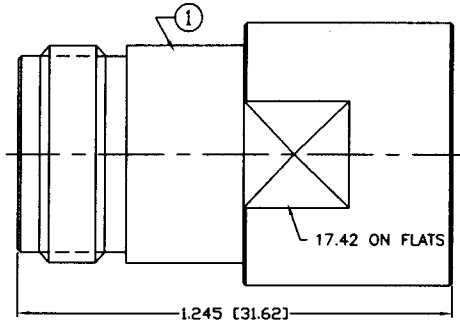
THIS DRAWING CONTAINS INFORMATION PROPRIETARY TO RF INDUSTRIES.
 ANY UNAUTHORIZED USE OF THIS DRAWING IS EXPRESSLY PROHIBITED
 WITHOUT WRITTEN PERMISSION FROM RF INDUSTRIES.
 ANY VIOLATION IS PUNISHABLE UNDER U.S. COPYRIGHT LAWS.

ALL DIMENSIONS ARE REFERENCE ONLY

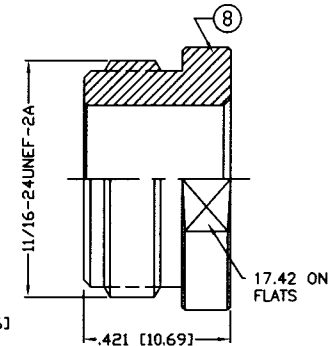
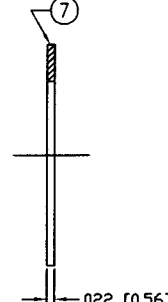
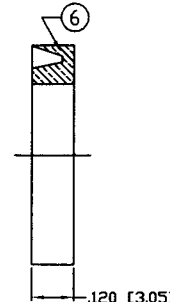
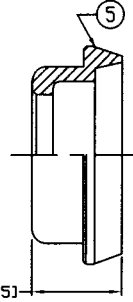
PART NO.

RFN-1024-1

REV	DESCRIPTION	DWN	DATE	APPROVED
A	ENGINEERING RELEASE	CZS	6/26/98	R. RICE
B	UPDATE DWG. DIMS & SPECS / CHG. DWG. # FROM 7582	GGG	8/8/03	JDMc

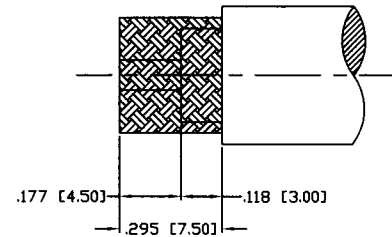


.258 [6.55]



SPECIFICATIONS:

IMPEDANCE: 50 Ohms
 FREQUENCY RANGE: 0-11 GHz
 VSWR: 1.3 Max.
 INSERTION LOSS: .06 dB Max. X $\sqrt{f \text{ GHz}}$
 WORKING VOLTAGE: 1k V rms @ sea level
 TEMPERATURE RANGE: -65°C TO 85°C
 INSULATION RESISTANCE: 5k M Ohms min.
 FOR RG-213 CABLE



RECOMMENDED STRIPPING DIMENSIONS

1	BODY	1	BRASS	SILVER, 80μ"	000486	
2	INSULATOR	1	PTFE	---		
3	PRESS BODY	1	BRASS	SILVER, 80μ"		
4	CONTACT	1	PHOS BRONZE	GOLD, 3μ"		
5	CLAMP	1	BRASS	SILVER, 80μ"		
6	GASKET	1	SILICONE	---		
7	WASHER	1	BRASS	SILVER, 80μ"		
8	HEX CLAMP	1	BRASS	SILVER, 80μ"		
9						
10						
11						
12						
13						
14						
#	DESCRIPTION	QTY	MATERIAL	FINISH	APPROVALS	DATE

DRAWN
JDMc
 CHECKED *JDMc* 8/27/03
 ORJ DRAWN
C. ZUNIGA 6/26/98

UNLESS OTHERWISE SPECIFIED:
 1. REMOVE ALL BURRS
 2. BREAK ALL CORNERS & EDGES .005 R. MAX.
 3. CHAMFER 1ST & LAST THREADS 45°
 4. SURFACE ROUGHNESS 63 FINISH MIL-STD-10
 5. DIAMETERS ON COMMON CENTERS TO BE CONCENTRIC WITHIN .002 T.I.R.
 6. ALL DIMENSIONS ARE AFTER PLATING.

DIMENSIONS ARE IN INCHES AND [MILLIMETERS]
 UNLESS OTHERWISE NOTED TOLERANCES ARE:
 DECIMALS DIAMETER
 .xxx±.003 [.08] .xxx±.001 [.03]
 .xx±.005 [.13] .xx±.003 [.08]

RF connectors
 DIVISION OF RF INDUSTRIES, LTD.

7610 MIRAMAR RD
 SAN DIEGO, CA 92126
 (858) 549-6340
 (858) 549-6345 FAX

N JACK CLAMP

SIZE A	CABLE GROUP E	DWG NO. RFN-1024-1	REV B
SCALE: NTS		CAD FILE OUTLINE	SHEET 1 OF 1