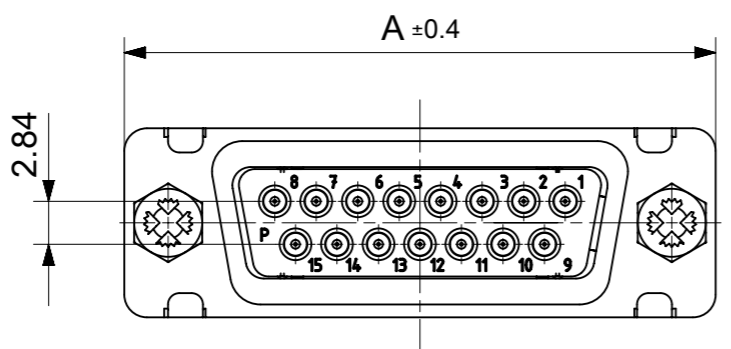
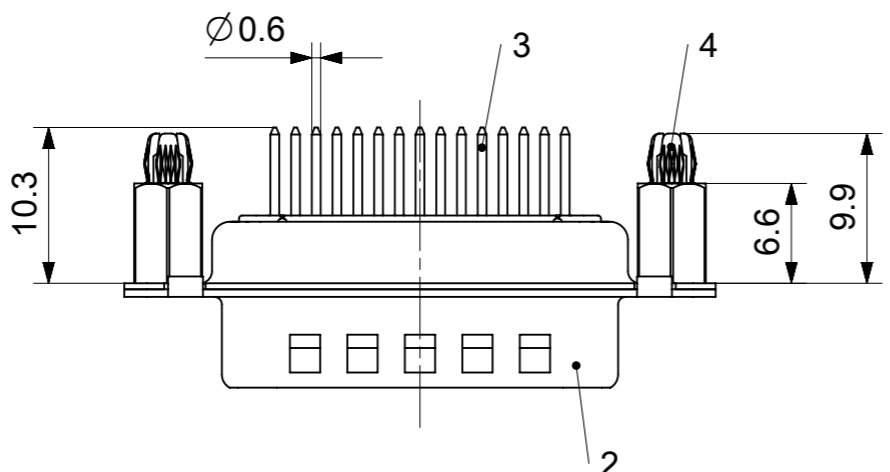
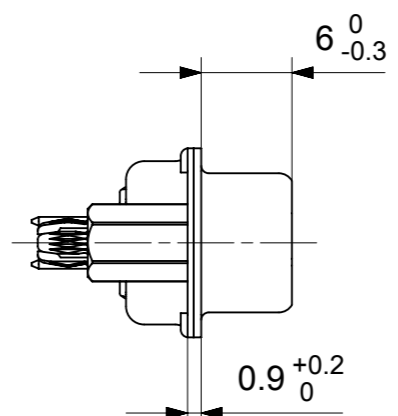
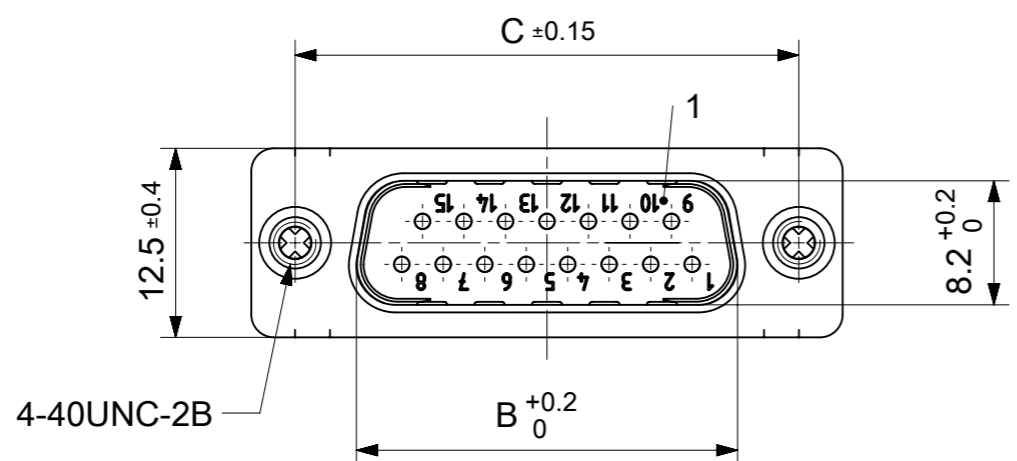


RoHS compliant  
by exemption



FCT Part number:  
Fxx\*1)P1\*2)-0982  
e.g. F15P1G1-0982  
\*1) xx No. of contacts 09, 15, 25 or 37  
\*2) y for performance classes 1, 2 or 3  
(contact cycle for G1/G2/G3 = 500/200/50)

| Material Number | xx*1) | y*2) | A[mm] | B[mm] | C[mm] | *E[mm] | *F[mm] |
|-----------------|-------|------|-------|-------|-------|--------|--------|
| 1731090075      | 09    | G1   | 30.8  | 16.9  | 25    | Ø1     | Ø3     |
| 1731090146      |       | G2   |       |       |       |        |        |
| 1731090141      | 15    | G1   | 39.1  | 25.2  | 33.3  |        |        |
| 1731090147      |       | G2   |       |       |       |        |        |
| 1731090076      | 25    | G1   | 53    | 38.9  | 47.04 |        |        |
| 1731090148      |       | G2   |       |       |       |        |        |
| 1731090142      | 37    | G1   | 69.3  | 55.3  | 63.5  |        |        |
| 1731090149      |       | G2   |       |       |       |        |        |

\*PCB hole patterns ØE, ØF see document 2195600023

| No. | Pc. | Part           | Type Description/Material          | Surface plating/Color/Class |
|-----|-----|----------------|------------------------------------|-----------------------------|
| 4   | 2   | Snap-in bolt   | PCB 1.6mm / Brass                  | tin plated                  |
| 3   | xx  | Signal contact | P1 / Brass                         | G1 / G2                     |
| 2   | 1   | Shell          | Steel                              | tin plated                  |
| 1   | 1   | Insulator      | PBT (-55°C to +125°C) acc. UL94V-0 | white                       |

MEASUREMENTS WITHOUT TOLERANCE ACC TO ISO 2768-m

REPLACEMENT FOR DOCUMENT NUMBER: FxxP1Gy-0982

FUNCTIONAL SYMBOLS: THIS DRAWING CONTAINS INFORMATION THAT IS PROPRIETARY TO MOLEX ELECTRONIC TECHNOLOGIES, LLC AND SHOULD NOT BE USED WITHOUT WRITTEN PERMISSION

SCALE: 2:1

GENERAL TOLERANCES (UNLESS SPECIFIED):

ANGULAR TOL ± °

4 PLACES ±

3 PLACES ±

2 PLACES ±

1 PLACE ±

0 PLACES ±

DIVISIONAL SYMBOLS:

DRAFT WHERE APPLICABLE MUST REMAIN WITHIN DIMENSIONS

FIRST ANGLE PROJECTION

DRAWING: A3-SIZE

SERIES: 173109

MATERIAL NUMBER: SEE TABLE

CUSTOMER: GENERAL MARKET

SHEET NUMBER: 1 OF 1

EC NO: 706086

DRWN: SKANDB 2021/11/25

CHK'D: MTEUBEL 2022/05/11

APPR: MTEUBEL 2022/05/11

INITIAL REVISION:

DRWN: SKANDB 2021/11/25

APPR: MTEUBEL 2022/05/11

DOCUMENT NUMBER: 1731090075

DOC TYPE: PSD

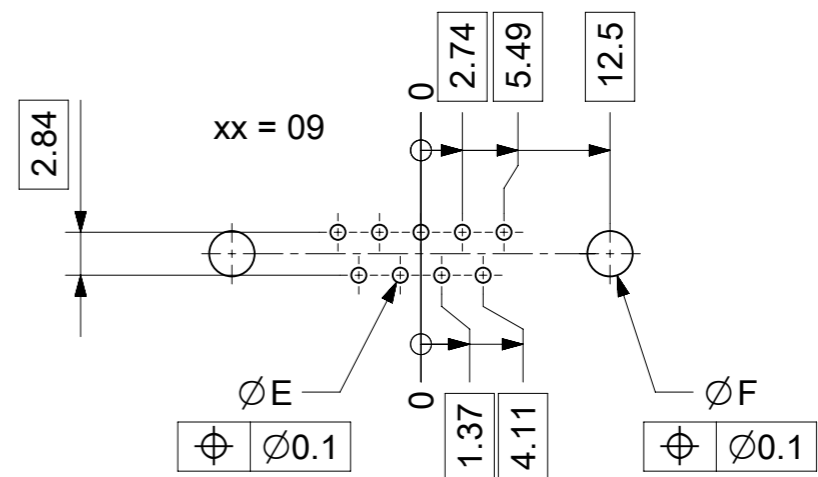
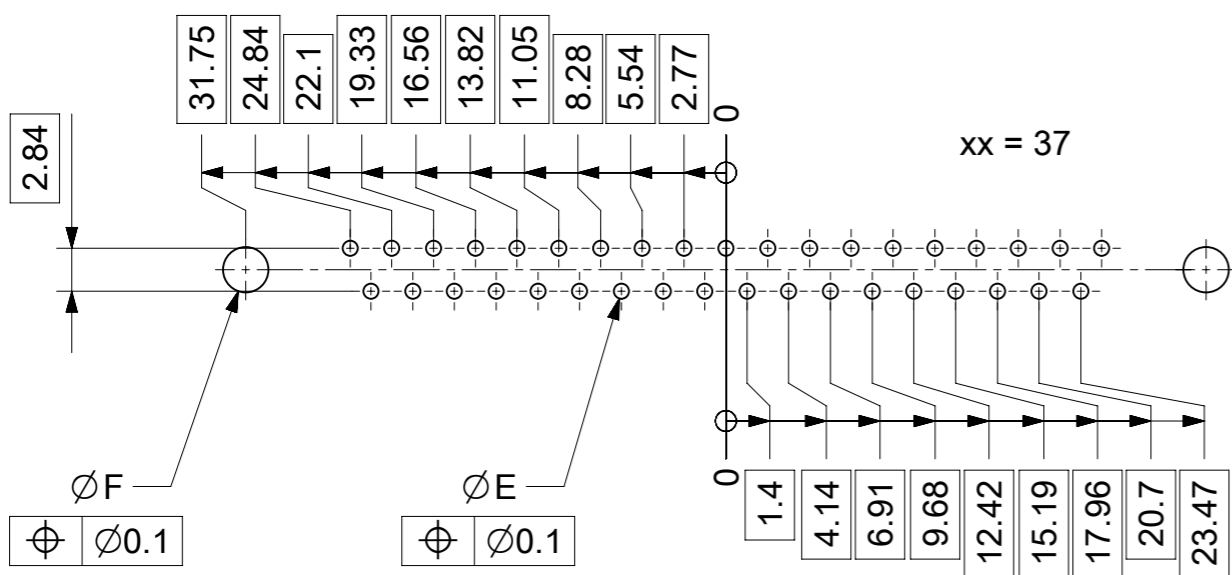
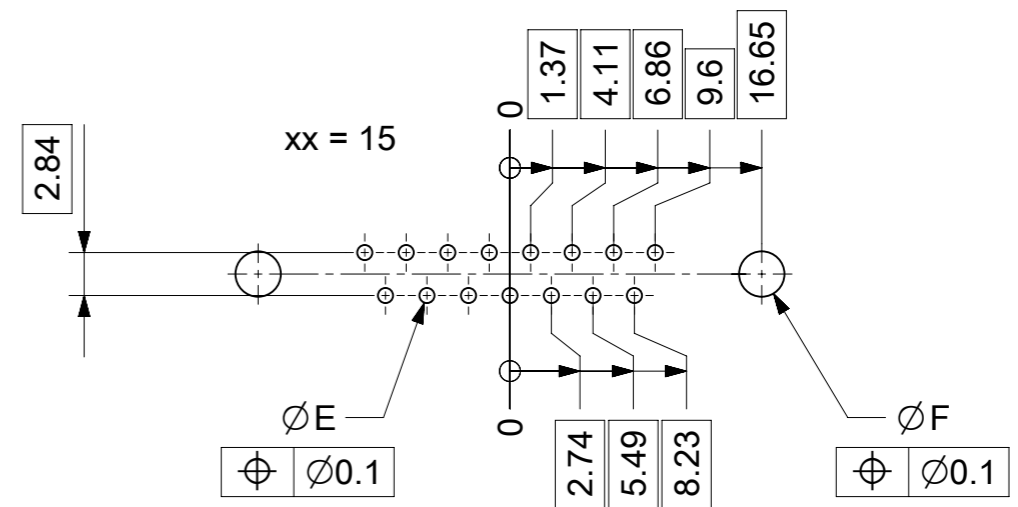
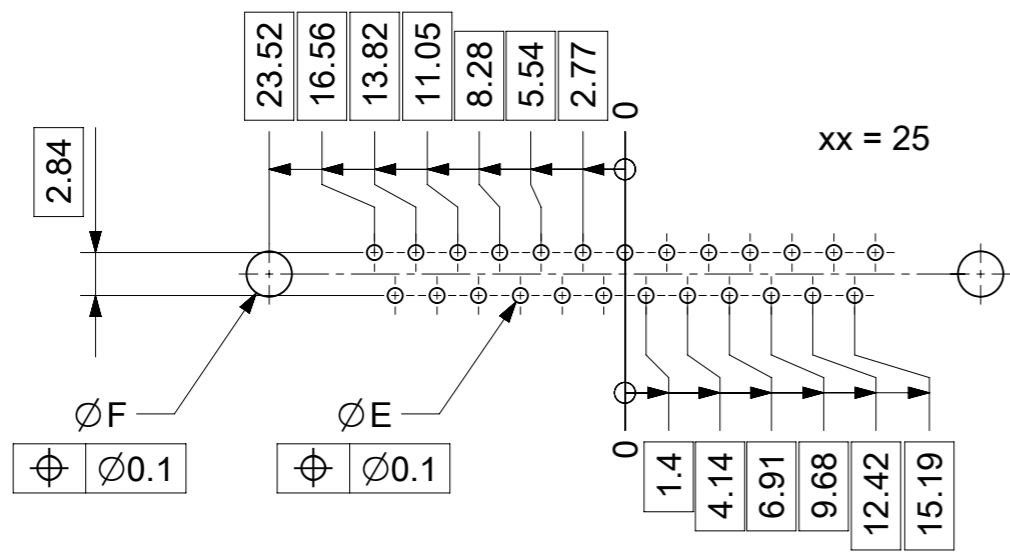
DOC PART: 000

REVISION: A

**molex**

FCT D-SUB MINIATURE CONNECTOR

PRODUCT CUSTOMER DRAWING



ØE, ØF see data sheet incl. connector  
 ØF connectors with accessories only

|   |                                       |                        |   |        |                 |                |
|---|---------------------------------------|------------------------|---|--------|-----------------|----------------|
| MEASUREMENTS WITHOUT TOLERANCE ACC TO ISO 2768-m  |                                       |                        | REPLACEMENT FOR DOCUMENT NUMBER: AM0023 |        |                 |                |
| THIS DRAWING CONTAINS INFORMATION THAT IS PROPRIETARY TO MOLEX ELECTRONIC TECHNOLOGIES, LLC AND SHOULD NOT BE USED WITHOUT WRITTEN PERMISSION |                                       |                        |   |        |                 |                |
| FUNCTIONAL SYMBOLS  | DIMENSION UNITS                       | SCALE                  | CURRENT REV DESC:                       |        |                 |                |
| $\nabla_A = 0$  | mm                                    | 2:1                    | EC NO: 713905                           |        |                 |                |
| $\nabla_E = 0$  | GENERAL TOLERANCES (UNLESS SPECIFIED) |                        | DRWN: SKANDB 2022/05/16                 |        |                 |                |
| $\nabla_P = 0$  | ANGULAR TOL ± °                       |                        | CHK'D: MTEUBEL 2022/07/12               |        |                 |                |
| DIVISIONAL SYMBOLS  | 4 PLACES ±                            |                        | APPR: MTEUBEL 2022/07/12                |        |                 |                |
|   | 3 PLACES ±                            |                        | INITIAL REVISION:                       |        |                 |                |
|   | 2 PLACES ±                            |                        | DRWN: SKANDB 2022/05/16                 |        |                 |                |
|   | 1 PLACE ±                             |                        | APPR: MTEUBEL 2022/07/12                |        |                 |                |
|   | 0 PLACES ±                            |                        | DOCUMENT NUMBER                         |        |                 |                |
| DRAFT WHERE APPLICABLE MUST REMAIN WITHIN DIMENSIONS  |                                       | FIRST ANGLE PROJECTION | DRAWING                                 | SERIES | MATERIAL NUMBER | CUSTOMER       |
|   |                                       |                        | A3-SIZE                                 | 219560 | 219560          | GENERAL MARKET |
|   |                                       |                        | PRODUCT CUSTOMER DRAWING                |        | REVISION        |                |
|   |                                       |                        | 2195600023                              |        | A               |                |
|   |                                       |                        | PSD 000                                 |        | 1 OF 1          |                |