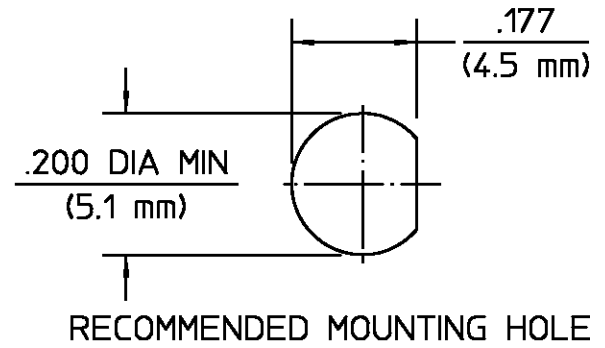


REVISIONS			
REV	DESCRIPTION	DATE	APPROVED
01 ₀	RELEASED		1/20/89 <i>[Signature]</i>



HOUSING MOUNTING NUT	STAINLESS STEEL PER ASTM-A484 AND ASTM-A582, TYPE 303	GOLD PLATE PER MIL-G-45204 OVER NICKEL PLATE PER QQ-N-290LATE PER
CLAMP NUT		
LOCKWASHER		
DIELECTRIC	TFE FLUOROCARBON PER MIL-P-19468 AND FED SPEC L-P-403	N/A
CENTER CONTACT	BERYLLIUM COPPER PER QQ-C-530, ALLOY 173	GOLD PLATE PER MIL-G-45204 OVER COPPER PLATE PER MIL-C-14550
RETAINING RING	BERYLLIUM COPPER PER QQ-C-533	N/A
SLEEVE	BRASS PER QQ-B-626 COMP 360	GOLD PLATE PER MIL-G-45204 OVER COPPER PLATE PER MIL-C-14550
FERRULE	SOFT COPPER ALLOY	GOLD PLATE PER MIL-G-45204 OVER COPPER PLATE PER MIL-C-14550
SHRINK TUBING	HEAT SHRINKABLE POLYOLEFIN COMPOUND MIL-I-23053	N/A
COMPONENT	MATERIAL	FINISH

CABLE ENTRY DIAMETER MINIMUM	
CONTACT	.023
SLEEVE	.0367
DIELECTRIC	.039

UNLESS OTHERWISE SPECIFIED DIMENSIONS ARE IN INCHES TOLERANCE ON

FRAC	DEC	ANGLES
± 1/64	± .005	± 1°

These drawings and specifications are the property of Omni Spectra Incorporated and shall not be reproduced or copied or used in whole or in part as the basis for the manufacture or sale of item(s) without written permission.

DRAWN BY K.C. MAHER DATE 1/18/89
 CHECKED BY L. ROSS 1/20/89
 APP'D BY *[Signature]* 1/20/89

USE ASS'Y PROCEDURE

408-04772 (10-059)
 NO. AP. _____

AMP
 AMP Incorporated
 140 Fourth Avenue
 Waltham, MA 02451-7599

TITLE OSSM BULKHEAD FEEDTHRU CABLE JACK CRIMP ATTACHMENT

SIZE B	CODE IDENT NO. 26805	1034-5009-18	REV 01 ₀
SCALE 4:1		SHEET 1 OF 1	

- NOTES:
- DESIGNED FOR USE WITH RD 196 & RD 178 DOUBLE BRAIDED CABLE
 - CAPTURED CENTER CONTACT