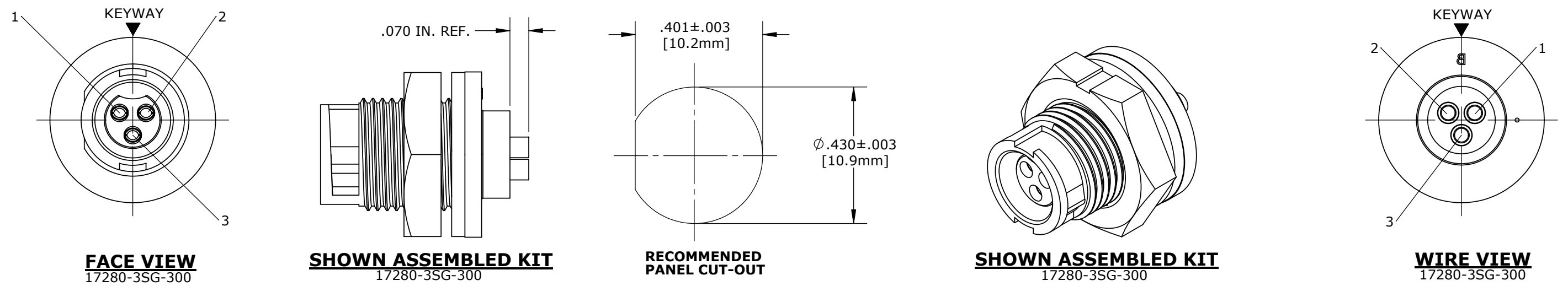
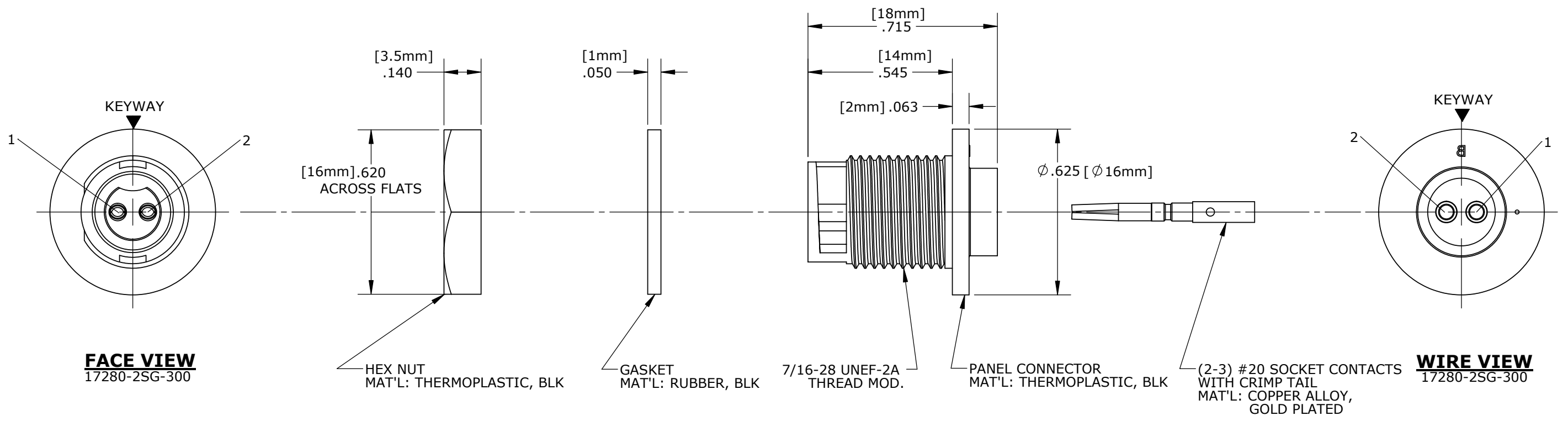


ASS'Y P/N	NO. OF CONTACTS
17280-2SG-300	(2) #20
17280-3SG-300	(3) #20

NOTES:
1. ALL PARTS TO BE BULK PACKED.



CUSTOMER APPROVAL
THIS DOCUMENT CONTAINS CONFIDENTIAL INFORMATION PROPRIETARY TO CONXALL CORPORATION. ANY REPRODUCTION, DISCLOSURE, OR USE OF THIS DOCUMENT /INFORMATION IS EXPRESSLY PROHIBITED UNLESS AUTHORIZED IN WRITING BY CONXALL CORPORATION.
APPROVED BY: _____
DATE: _____

DIMENSIONS IN BRACKET [] ARE METRIC

RoHS COMPLIANT

A	JD	02-22-17	DRAWING CREATED PER DOR 17-E149SL(4)	
REV.	INIT.	DATE	DESCRIPTION	
	JD	02-22-17	ALL INFORMATION ILLUSTRATED IS THE PROPERTY OF "CONXALL CORPORATION". UNAUTHORIZED DUPLICATION OR DISTRIBUTION OF THIS DOCUMENT IS PROHIBITED. ORIG. DRAWN BY: DATE: CHECKED BY:	
APPROVED BY:			 601 E. WILDWOOD VILLA PARK, IL 60181	
TITLE:			PANEL CONNECTOR ASSEMBLY (2-3) #20 SOCKET CONTACTS, CRIMP TAIL MICRO-CON-X	
CUSTOMER:			STANDARD PRODUCT	
SCALE	SIZE	SHEET	PART NUMBER: 17280-XSG-300	
NTS	B	1 OF 1	REV A	
FILE:	DIRECTORY:	PART NUMBER: 17280-XSG-300		
17280-XSG-300	SLW			

PART NUMBER: 17280-XSG-300