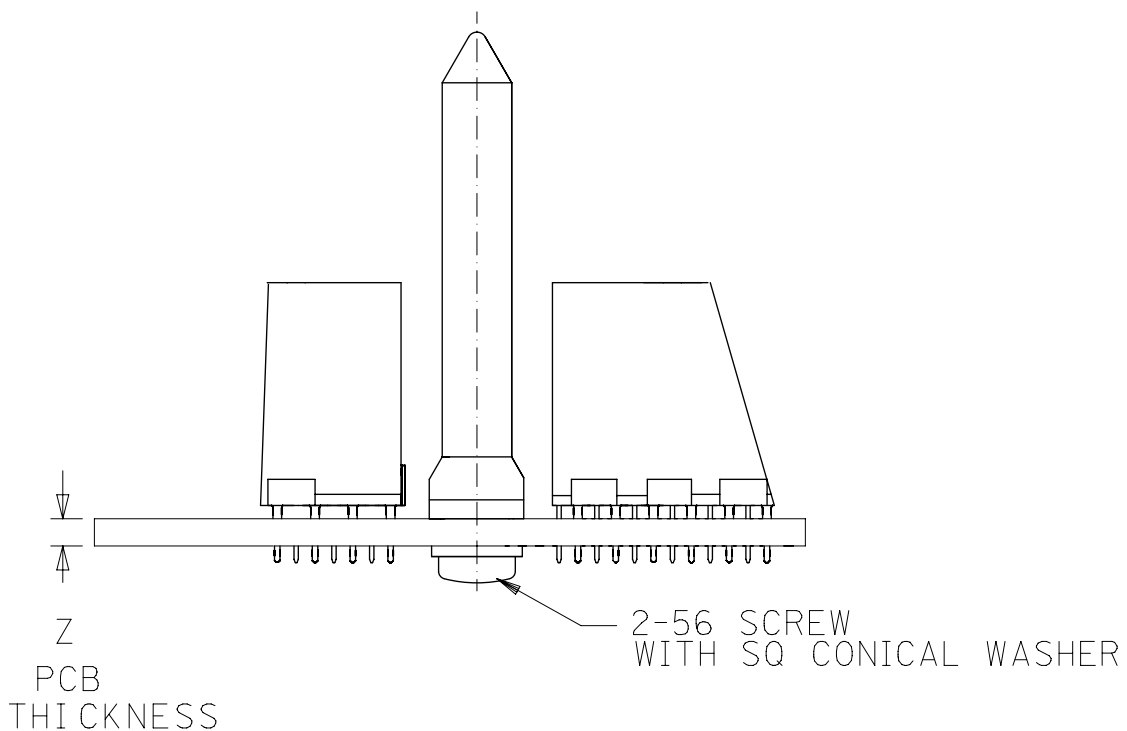
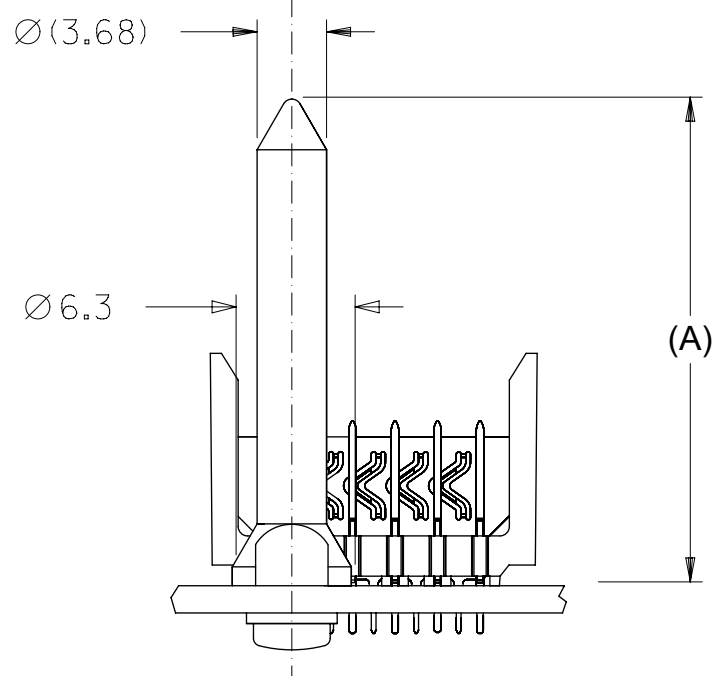


BACKPLANE HOLE PATTERN
FREE STAND GUIDE PIN

KIT NUMBER	DIM Z BOARD THICKNESS	DIM A
74076-0001	1.8-4.0	25.8
74076-0002	>4.0-9.00	25.8
74076-0005	1.8-4.0	19.9

NOTES:

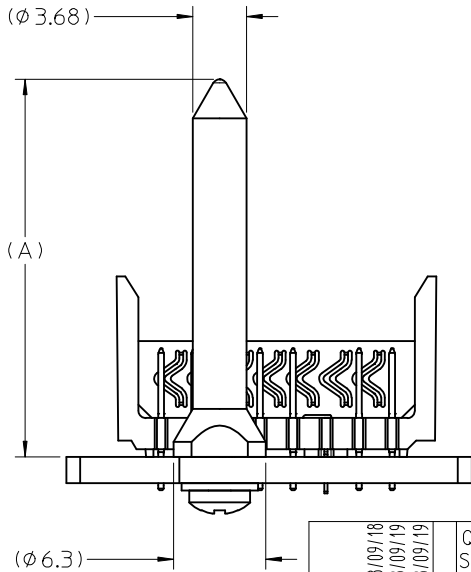
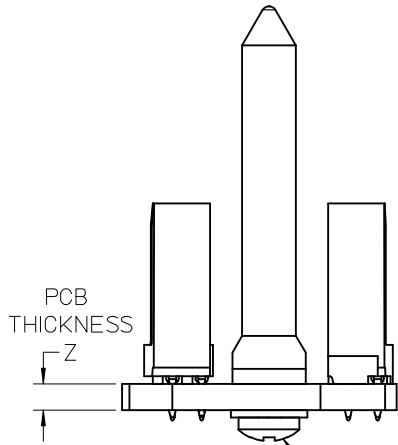
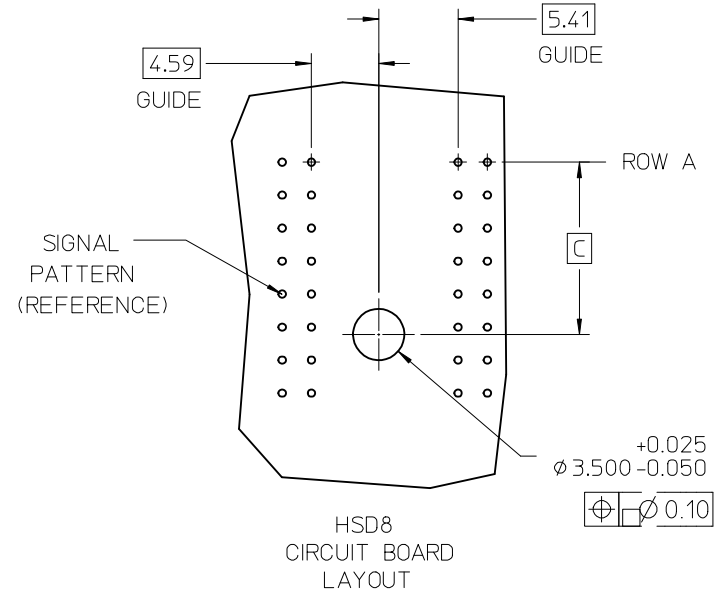
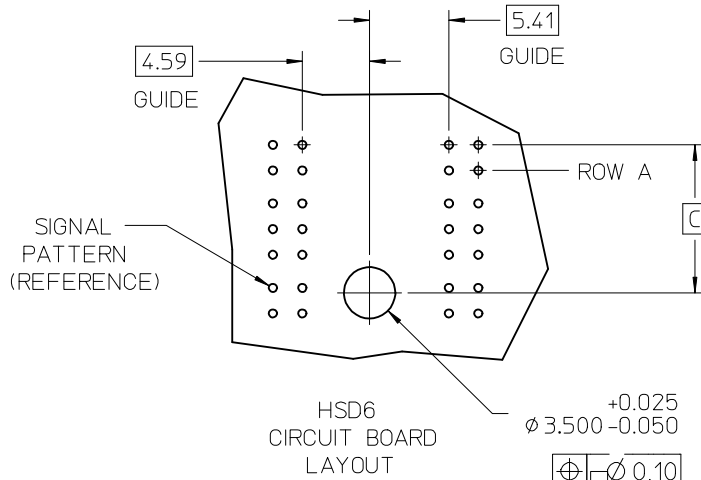
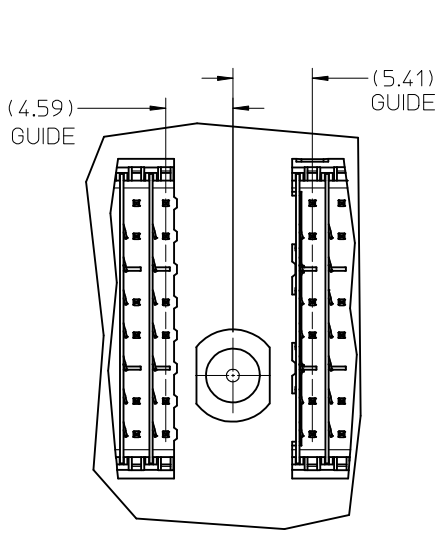
1. STANDARD BULK PACK, 500 PER BAG.
2. PACKAGE SCREWS AND GUIDE SEPARATE.
3. 74076-0010 STAND ALONE TO BE USED ONLY WITH GUIDE MODULE 74037-0036.



MATE WITH		DIM C
VHDM 6 ROW	GUIDE MODULE	9.96
	GROUND MODULE	9.26
	JOINER MODULE	9.26
VHDM 8 ROW	GUIDE MODULE	11.75
	GROUND MODULE	11.75
	JOINER MODULE	11.75

THIS DRAWING CONTAINS INFORMATION THAT IS PROPRIETARY TO MOLEX ELECTRONIC TECHNOLOGIES, LLC AND SHOULD NOT BE USED WITHOUT WRITTEN PERMISSION

DIMENSION UNITS mm	SCALE NTS	CURRENT REV DESC: OBSOLETE PART NUMBERS		
GENERAL TOLERANCES (UNLESS SPECIFIED)		<p>molex</p> <p>VHDM BACKPLANE FREE STANDING GUIDE PIN OPEN ENDS SALES DRAWING</p> <p>PRODUCT CUSTOMER DRAWING</p>		
	MM INCH			
4 PLACES ±	±			
3 PLACES ±	±			
2 PLACES ± 0.1	±			
1 PLACE ± 0.15	±	EC NO: 661197	2021/02/05	
0 PLACES ±	±	DRWN: SANTHN	2021/04/26	
ANGULAR TOL ± 3.0°		CHK'D: GGA	2021/04/26	
DRAFT WHERE APPLICABLE MUST REMAIN WITHIN DIMENSIONS	THIRD ANGLE PROJECTION	APPR: GGA	2021/04/26	
		INITIAL REVISION:		
		DRWN: JMELTON	2010/09/27	
		APPR: SMILLER	2011/04/29	
		SERIES		
		74076		
		MATERIAL NUMBER		
		SEE TABLE		
		CUSTOMER		
		GENERAL MARKET		
		SHEET NUMBER		
		1 OF 1		



KIT NUMBER	DIM Z BOARD THICKNESS	DIM A
74076-0001	1.8 - 4.0	25.8
74076-0002	>4.0 - 9.0	25.8
74076-0005	1.8 - 4.0	19.9
74076-0006	>4.0 - 9.0	19.9

MATE WITH		DIM C
HSD 6	GUIDE MODULE	10.09
	GROUND MODULE	9.39
	JOINER MODULE	9.39
HSD 8	GUIDE MODULE	11.75
	GROUND MODULE	11.75
	JOINER MODULE	11.75

- NOTES:
1. PARTS TO BE BULK PACKED, 500 PER BAG.
2. SCREWS & GUIDE PINS PACKAGED SEPARATELY.

ADD PARTS
EC NO: UCP2009-0672
DRAWN: JBINGHAM 2008/09/18
CHKD: 2008/09/19
APPR: JLAURX 2008/09/19

DESCRIPTION
QUALITY SYMBOLS
▽=0
▽=0

GENERAL TOLERANCES (UNLESS SPECIFIED)

	mm	INCH
4 PLACES	±---	±---
3 PLACES	±---	±---
2 PLACES	±0.10	±---
1 PLACE	±0.15	±---
ANGULAR ±---°		

DRAFT WHERE APPLICABLE
MUST REMAIN WITHIN DIMENSIONS

DIMENSION STYLE
MM ONLY

DRAWN BY	DATE
JBINGHAM	2007/03/28
CHECKED BY	DATE
SREED	2007/03/28
APPROVED BY	DATE
SREED	2007/03/28

MATERIAL NO.
SEE CHART

SCALE 3:1
DESIGN UNITS METRIC
THIRD ANGLE PROJECTION

TITLE
HSD BACKPLANE
FREE STANDING GUIDE PIN
SALES DRAWING

MOLEX INCORPORATED
DOCUMENT NO. SD-74076-005
SHEET NO. 1 OF 1

THIS DRAWING CONTAINS INFORMATION THAT IS PROPRIETARY TO MOLEX INCORPORATED AND SHOULD NOT BE USED WITHOUT WRITTEN PERMISSION