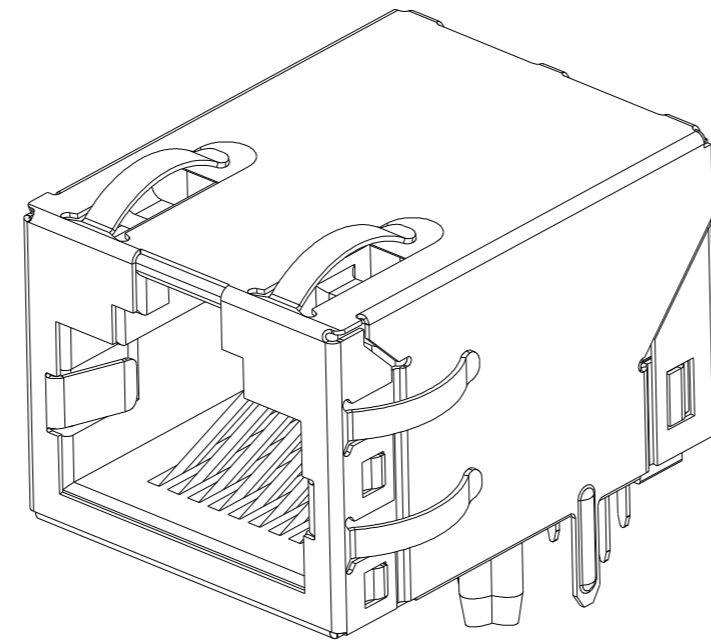
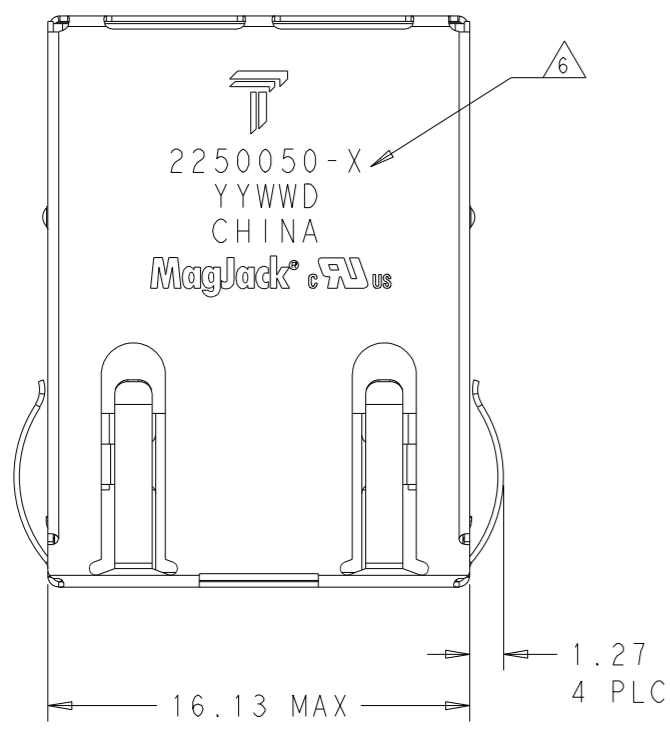


THIS DRAWING AND THE SUBJECT MATTER SHOWN THEREON ARE CONFIDENTIAL AND THE PROPERTY OF BEL/STEWART/TRP CONNECTOR AND SHALL NOT BE REPRODUCED, COPIED, OR USED IN ANY MANNER WITHOUT THE WRITTEN CONSENT OF TRP CONNECTOR.

PRODUCT MAY BE PROTECTED BY ONE OR MORE OF THE FOLLOWING US PATENTS:
 5736910 5939955 6425781 6428361 6554638 6840817 7123117
 7429195 7717749 7808751 6217391 6149050 7924130

REVISIONS				
#	LT#	DESCRIPTION	DATE	OWN APVD
2		EC-1411035 COMPANY LOGO CHANGE	31DEC2014	DP TY



1. MATERIALS

- HOUSING: THERMOPLASTIC, FLAMMABILITY RATING UL 94V-0.
- SHIELD: BRASS 0.20mm THICK, PREPLATED WITH 0.76um MIN SEMI-BRIGHT NICKEL. SOLDER TABS POST DIPPED WITH 2.54um MIN SAC SOLDER.
- CONTACTS: PHOSPHOR BRONZE 0.46mm X 0.30mm, PHOSPHOR BRONZE, 1.27um MIN NICKEL UNDERPLATE, WITH 1.27um MIN GOLD PLATING AT MATING INTERFACE AND 2.54um MIN MATTE TIN ON SOLDER TAILS, OR 1.27um MIN NICKEL UNDERPLATE, WITH 0.05um GOLD PLATING OVER 0.76um MIN PALLADIUM NICKEL PLATING AT MATING INTERFACE AND 2.54um MIN MATTE TIN ON SOLDER TAILS.
- SOLDER TAILS: 0.25mm THICK, PHOSPHOR BRONZE, 1.27um MIN OVERALL NICKEL UNDERPLATE, 3um TIN PLATE

△2 RJ45 JACK CAVITY CONFORMS TO FCC RULES AND REGULATIONS PART 68 SUB PART F.

△3 MAGNETICS

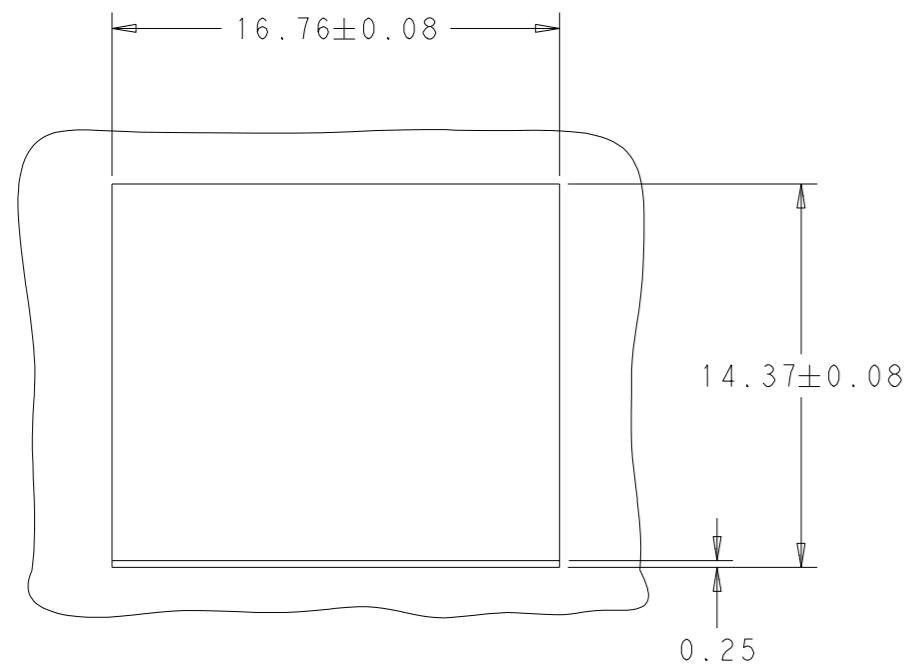
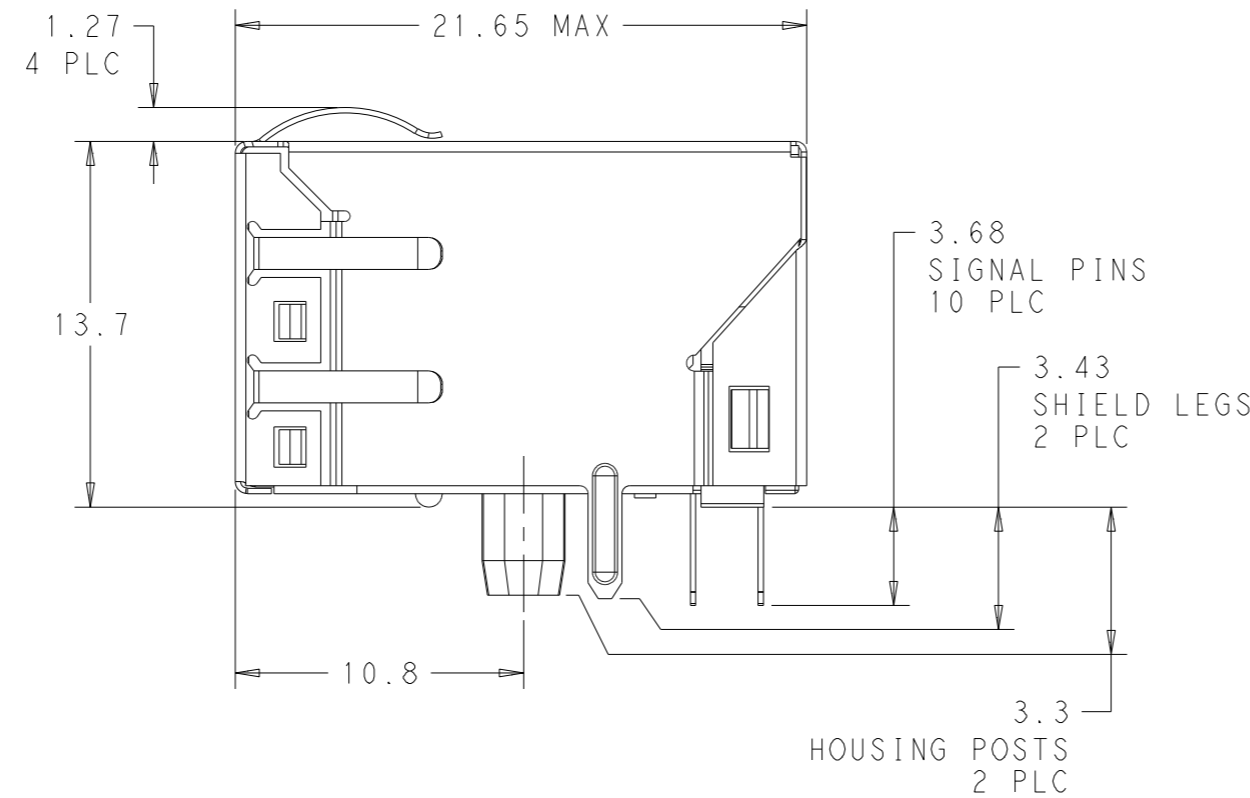
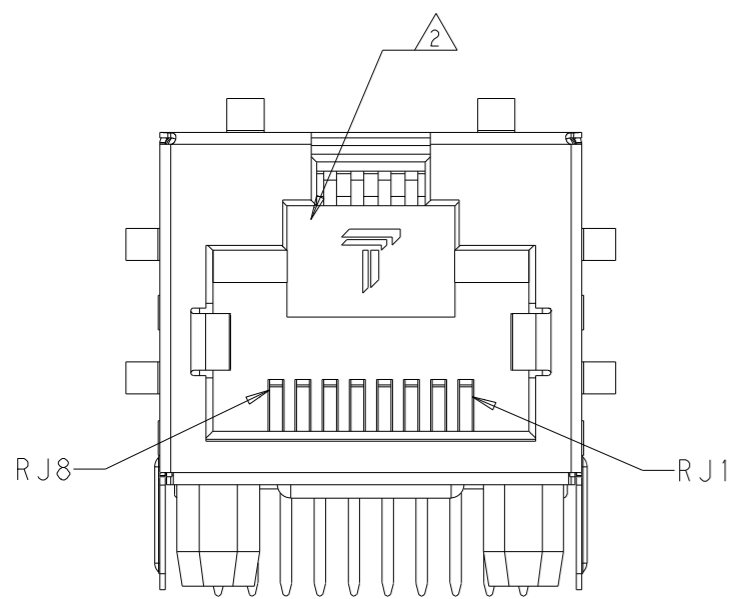
- APPLICATION: 10/100/1000 BASE-T
- IMPEDANCE: 100 OHMS
- TURNS RATIO (CHIP:CABLE): 1:1 ALL FOUR PAIRS
- OPEN CIRCUIT INDUCTANCE (OCL): 350uH MIN. @100kHz, 0.1VRMS, 8mADC BIAS FROM 0°C TO +70°C, ALL FOUR PAIRS
- ALL FOUR PAIRS BI-DIRECTIONAL
- PERFORMANCE @ 25°C:
 INSERTION LOSS (IL): 1.1dB MAX. FROM 0.5MHz TO 100MHz
 RETURN LOSS (RL): 18dB MIN FROM 0.5MHz TO 40MHz
 12-20LOG(f/80)dB MIN. FROM 40.1MHz TO 100MHz
 CROSSTALK ATTENUATION: 35dB MIN. FROM 0.5MHz TO 40MHz
 33-20LOG(f/50)dB MIN. FROM 40.1MHz TO 100MHz
 COMMON MODE REJECTION RATIO (CMRR): 30dB MIN. FROM 0.5MHz TO 100MHz
- ISOLATION VOLTAGE: 2250VDC FOR 60 SECONDS WITH A RISE TIME OF 500 V/SEC

4. OPERATING TEMPERATURE: FROM 0°C TO +70°C.

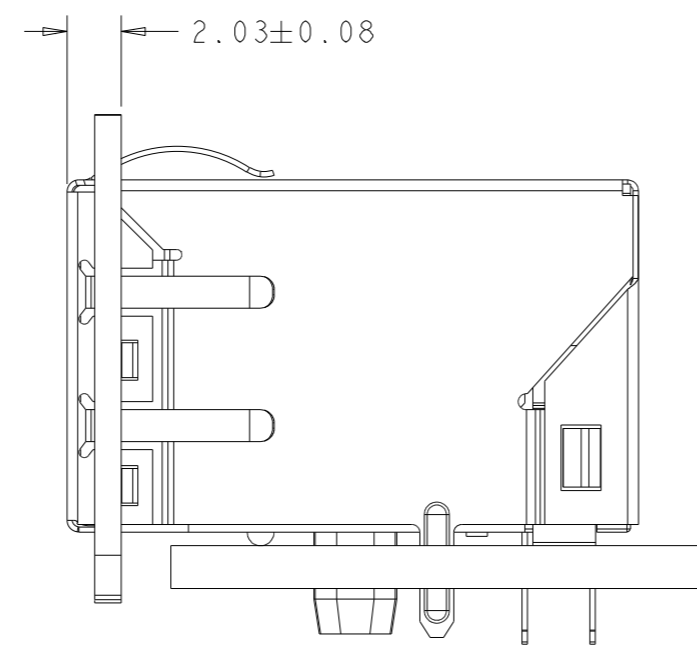
△5 INDICATED MAGNETIC CONNECTIONS ARE SYMMETRICAL TO SUPPORT AUTO-MDI/MDIX.

△6 TRP CONNECTOR LOGO, PART NUMBER, DATE CODE, COUNTRY OF ORIGIN AND AGENCY APPROVAL MARKING IN APPROXIMATE LOCATION SHOWN. DATE CODE: YYWW WHERE YY IS YEAR, WW IS WORK WEEK, D IS DAY OF WEEK, WITH SUNDAY=1.

7. PART SHOULD BE RECOMMENDED FOR WAVE SOLDERING PROCESS, PREHEAT TEMPERATURE IS 120°C TO 160°C, 120 SECONDS TO 180 SECONDS, PEAK WAVE SOLDERING TEMPERATURE IS 260°C MAX, 10 SECONDS MAX.

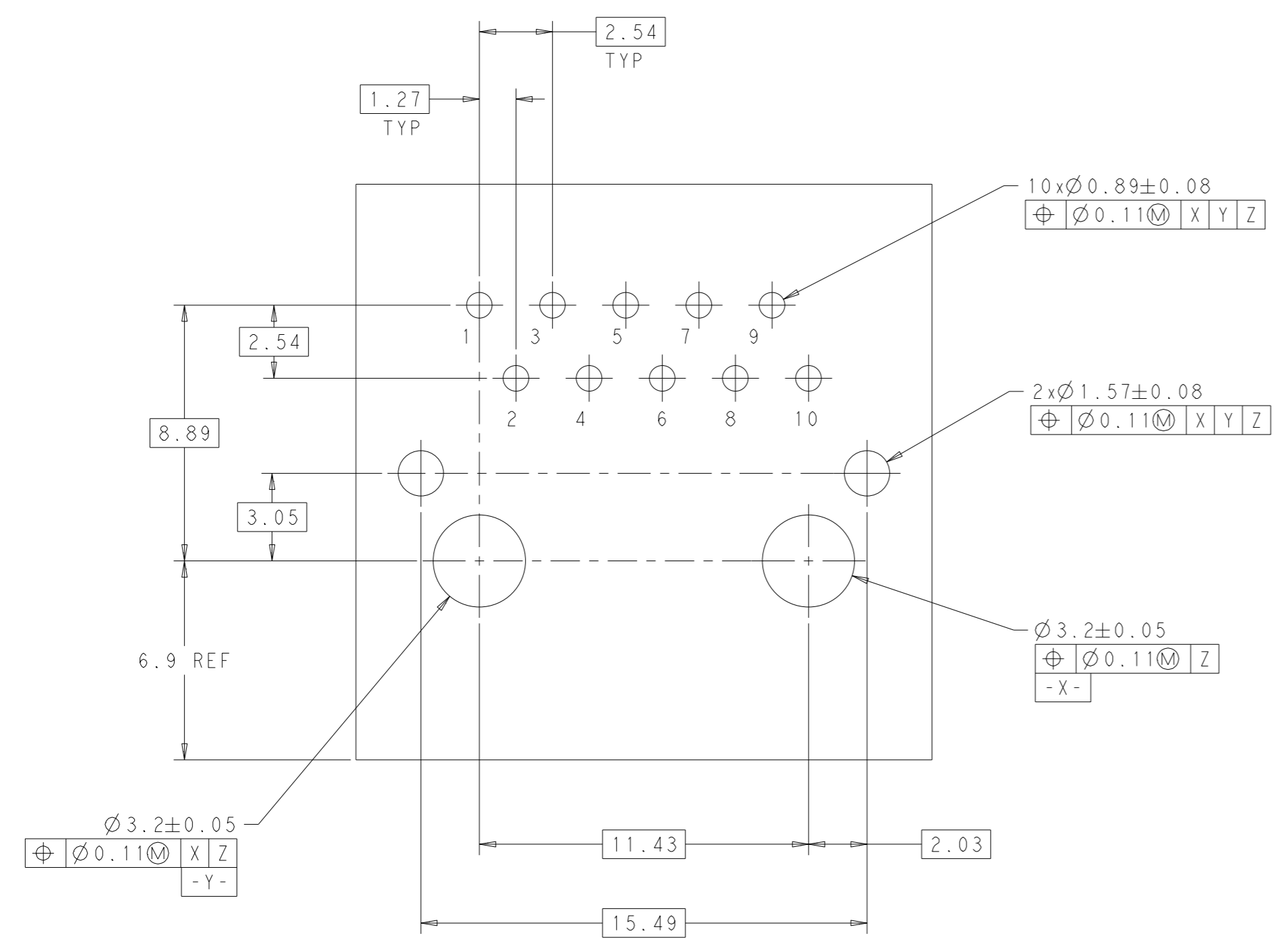


SUGGESTED CUT PANEL AND PCB

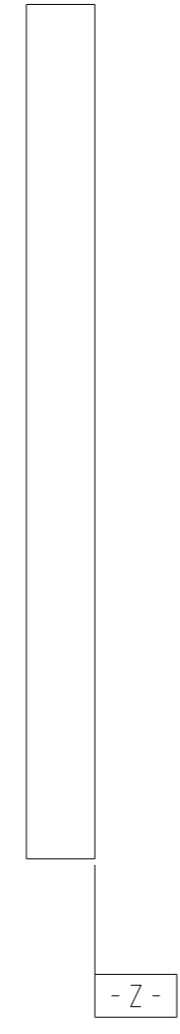


2250050-1
PART NO.

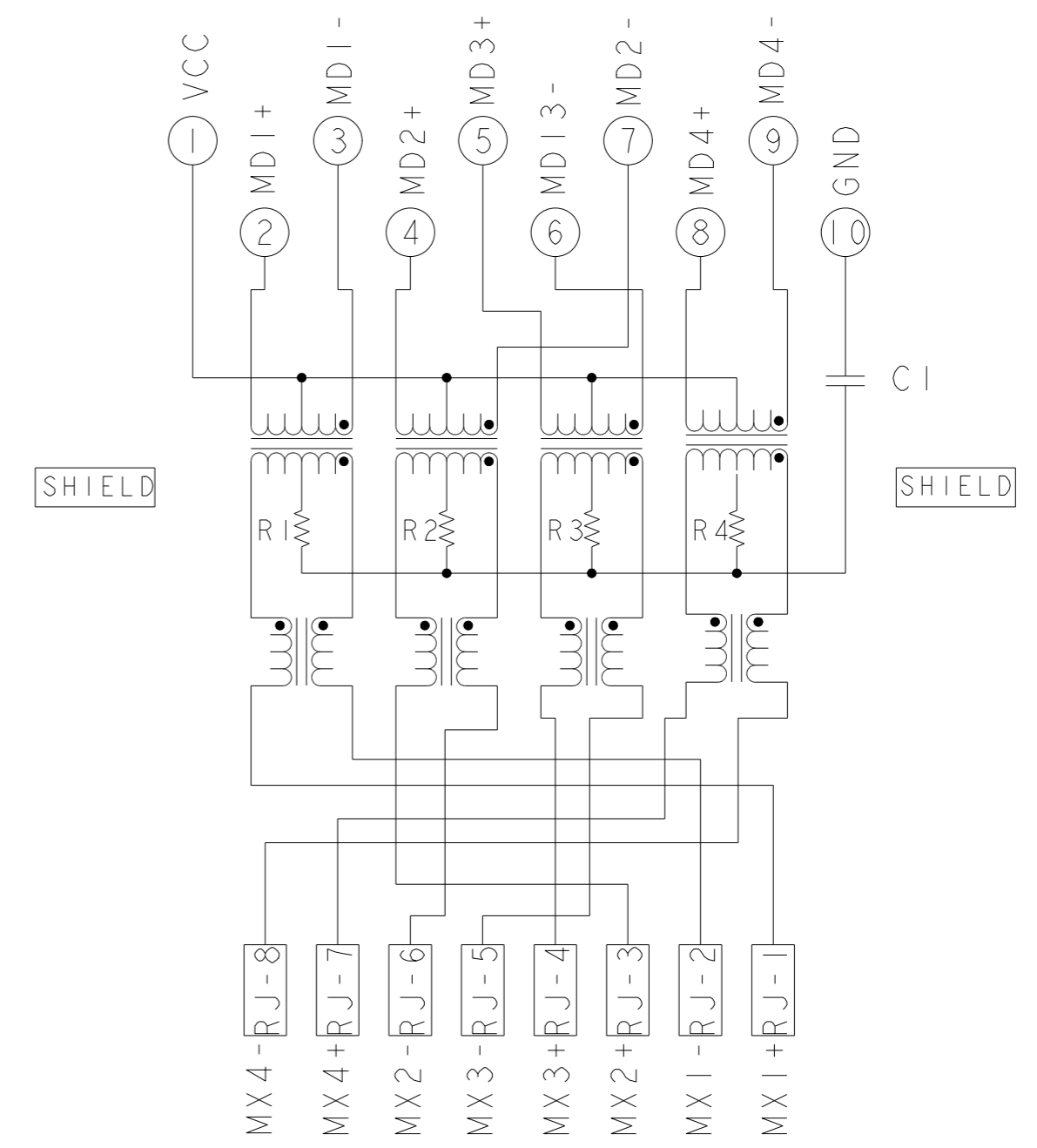
THIS DRAWING IS A CONTROLLED DOCUMENT.		OWN ROY LIU 06 JUN 2013	 DONGGUAN CHINA a bel group
DIMENSIONS: mm		CHK TOWER YU / FRANK LIU 06 JUN 2013	
		APVD TONY YUAN 06 JUN 2013	
TOLERANCES UNLESS OTHERWISE SPECIFIED:		MODEL NAME	
0 PLC ±0.25		DESC	
1 PLC ±0.25		IXI 7G01L GIGABIT TAB UP W/O LED	
2 PLC ±0.25		SIZE	
3 PLC ±0.25		CAGE CODE	
4 PLC ±		DRAWING NO	
ANGLES ±		RESTRICTED TO	
APPLICATION SPEC		A 1	
PRODUCT SPEC		MAGJACK	
		SINGLE NON-POE	
		©=2250050	
		CUSTOMER DRAWING	
		SCALE 4:1 SHEET 1 OF 3 REV 2	



SUGGESTED PCB LAYOUT



7G01L GIGABIT CIRCUIT




R1-R4=75 Ohms, RESISTORS
C1=1000 pF, CAPACITOR

THIS DRAWING IS A CONTROLLED DOCUMENT.		DWN ROY LIU 06 JUN 2013		 DONGGUAN CHINA
DIMENSIONS: mm		CHK TOWER YU/ FRANK LIU 06 JUN 2013		
		APVD TONY YUAN 06 JUN 2013		
TOLERANCES UNLESS OTHERWISE SPECIFIED:		MODEL NAME		DESC
0 PLC	±0.25	MAGJACK		IXI 7G01L GIGABIT TAB UP W/O LED
1 PLC	±0.25	SIZE		CAGE CODE
2 PLC	±0.25	DRAWING NO		RESTRICTED TO
3 PLC	±0.25	A1		-
4 PLC	±0.25	C=2250050		
ANGLES	±°	CUSTOMER DRAWING		
APPLICATION SPEC		SCALE 4:1		SHEET 2 OF 3
				REV 2

C_2250050					STOCK DISPOSITION			
					A: CONTINUE AS IS B: REWORK C: SCRAP		D: USE OLD FIRST E: PARTS TO CONFORM F: OTHER	
REVISION HISTORY								
DATE	REV	CHANGES	REASON	APPROVAL	INVENTORY (A,B,C,D,E,F)	WORK IN PROCESS (A,B,C,F)	SUPPLIER ORDERS (A,E,F)	OPEN CUST ORDERS (A,E,F)
06JUN2013	1	-	INITIAL RELEASE	KEITH ZHU	-	-	-	-
31DEC2014	2	EC-1411035 COMPANY LOGO CHANGE	MARKET REQUEST	TONY YUAN	-	-	-	-

THIS DRAWING IS A CONTROLLED DOCUMENT.

DRW	ROY LIU	06 JUN 2013
CHK	TOWER YU / FRANK LIU	06 JUN 2013
APP'D	TONY YUAN	06 JUN 2013



trp CONNECTOR DONGGUAN CHINA
a bel group

MODEL NAME	MAGJACK	DESC	IXI 7G01L GIGABIT TAB UP W/O LED
SIZE	A1	CAGE CODE	
DRAWING NO	C=2250050	RESTRICTED TO	-
PRODUCT SPEC	SINGLE NON-POE	SCALE	4:1
APPLICATION SPEC		SHEET	3 OF 3
CUSTOMER DRAWING		REV	2