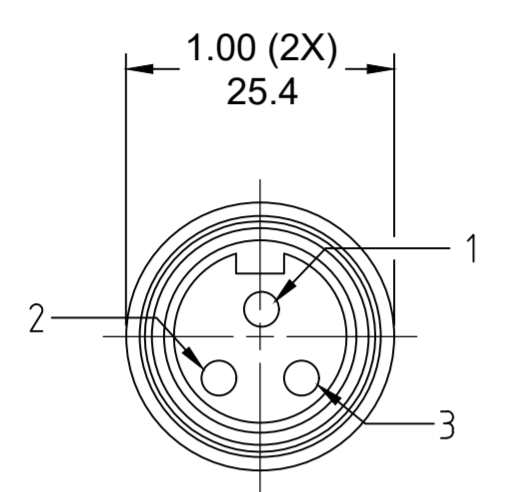


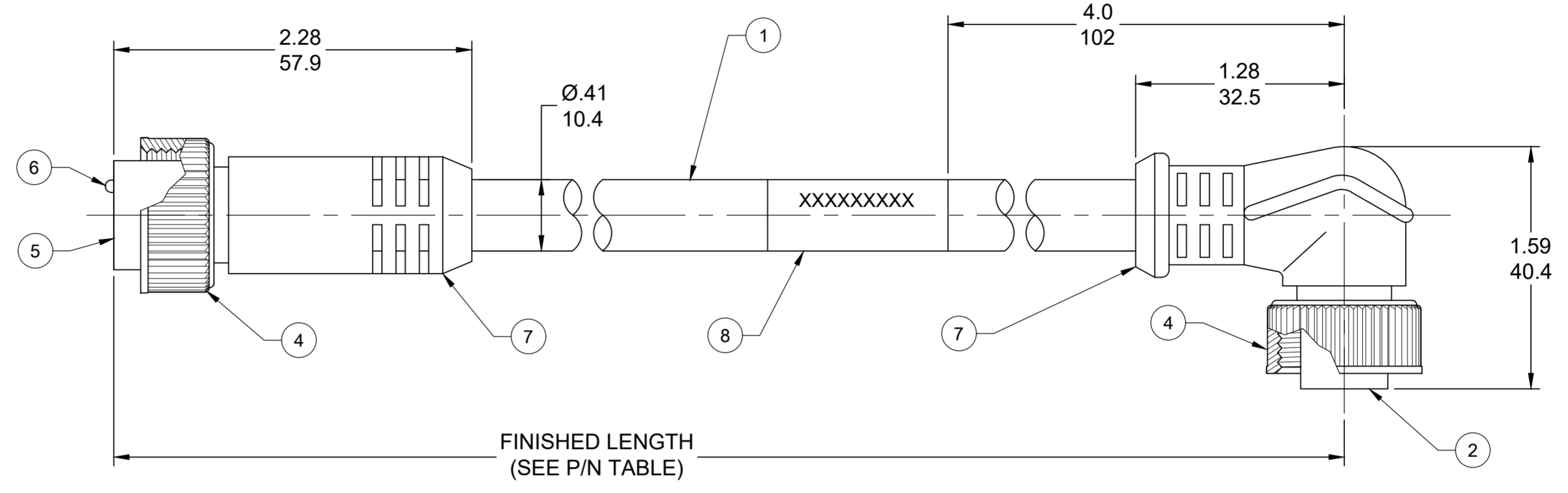
PART NO.	ENGINEERING NO.	FINISHED LENGTH
1300100350	113021A01F010	1.0 FT [0.3M]
1300100351	113021A01F030	3.0 FT [0.9M]
1300100360	113021A01F120	12.0 FT [3.7M]

CABLE LENGTH TOLERANCES	
>.3M [1FT]:	+19mm-0 [+.75in-0]
.3 - .9M [1 - 3FT]:	+44.5mm-0 [+1.75in-0]
.9 - 1.8M [3 - 6FT]:	+55.6mm-0 [+2.19in-0]
1.8 - 3.7M [6 - 12FT]:	+88.9mm-0 [+3.50in-0]
3.7 - 7.3M [12 - 24FT]:	+165.1mm-0 [+6.50in-0]
7.3-14.6M [24 - 48FT]:	+317.5mm-0 [+12.50in-0]
14.6 - 30.5M [48-100FT]:	+622.3mm-0 [+24.50in-0]
OVER 30M [100FT]	+2% OF FINISHED LENGTH



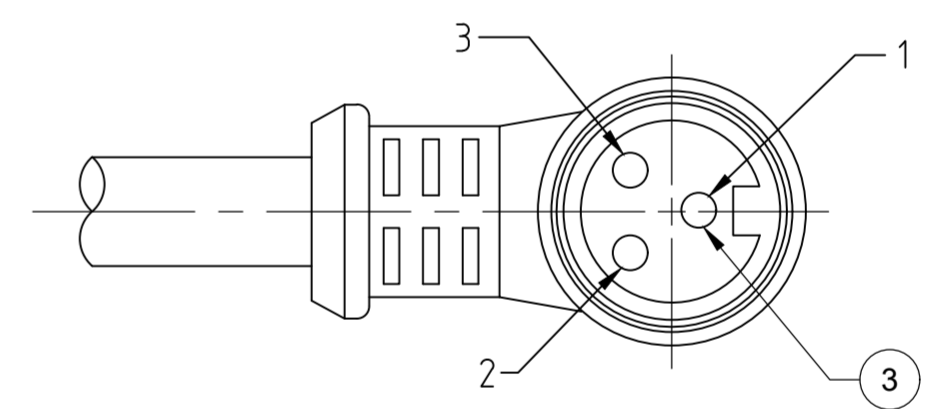
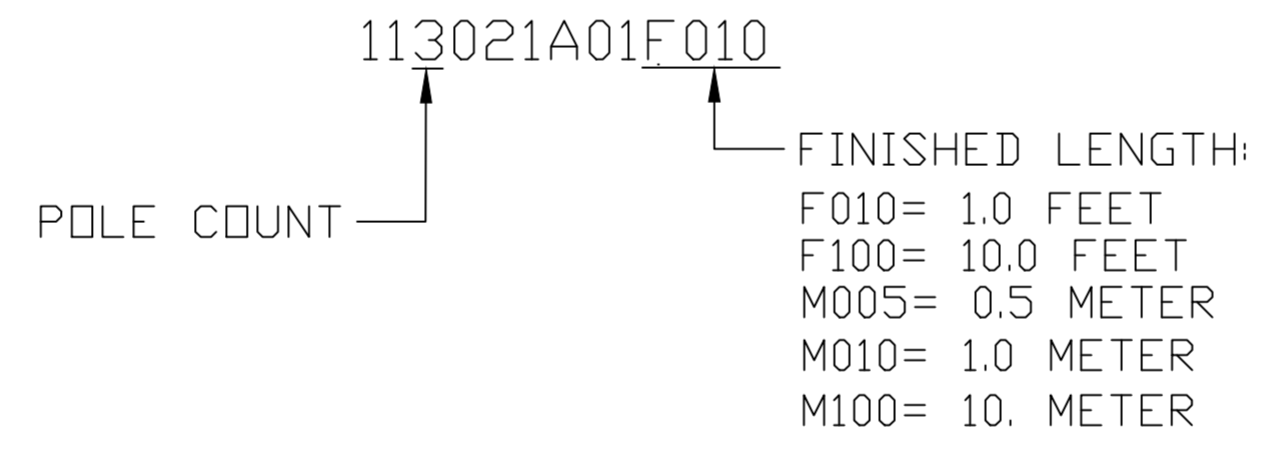
FACE VIEW-MALE INSERT

- 1-GREEN/YELLOW
- 2- BLACK
- 3. WHITE



- NOTES:**
- MATERIAL: AS NOTED
 - FINISH: AS NOTED
 - ELECTRICAL:
VOLTAGE: 500V PER IEC 60664
600V PER UL 2238
CURRENT: 13A
 - TEMP RATING: -20°C TO +105°C
 - PROTECTION: IP67 (WHEN MATED)
 - COUPLING THREAD: 7/8-16 UN
 - UL RECOGNIZED FILE: E152210
CSA FILE: LR6837
 - ALL DIMS ARE FOR REFERENCE UNLESS TOLERANCED OR NOTED OTHERWISE

PART NUMBER LEGEND



FACE VIEW-FEMALE INSERT

- 1-GREEN/YELLOW
- 2- BLACK
- 3. WHITE

ITEM	DESCRIPTION	MATERIAL	FINISH
8	FLAG LABEL	VINYL	BLACK/YELLOW
7	OVERMOLD	TPE	YELLOW
6	CONTACT PIN	COPPER ALLOY	GOLD PLATED
5	MALE INSERT (A-SIZE)	TPE	YELLOW
4	COUPLING, INT. THRD	ZINC DIE-CAST	BLACK
3	CONTACT SOCKET	COPPER ALLOY	GOLD PLATED
2	FEMALE INSERT (A-SIZE)	TPE	YELLOW
1	CABLE, 16AWG (ST00W)	PVC JACKET	YELLOW

SYMBOLS DIMENSION UNITS: INCH/MM SCALE: 1:1 CURRENT REV DESC: RELEASED	GENERAL TOLERANCES (UNLESS SPECIFIED)		molex MINI-CHANGE CABLE ASSEMBLY 3P MALE/FEM, ST/90 16AWG ST00W
	4 PLACES ±---- ±---- 3 PLACES ±---- ±---- 2 PLACES ±---- ±---- 1 PLACE ±---- ±---- 0 PLACES ±---- ±----	mm INCH	
ANGULAR TOL ± ---- ° DRAFT WHERE APPLICABLE MUST REMAIN WITHIN DIMENSIONS	THIRD ANGLE PROJECTION	DRAWING: C-SIZE SERIES: 130010	PRODUCT CUSTOMER DRAWING DOCUMENT NUMBER: 1300100350 DOC TYPE: PSD DOC PART: 000 REVISION: A
MATERIAL NUMBER:	CUSTOMER:	SHEET NUMBER: 1 OF 1	