

TERMSERIES
TRP 120VUC 2CO EMPTY

Weidmüller Interface GmbH & Co. KG
Klingenbergstraße 26
D-32758 Detmold
Germany
Fon: +49 5231 14-0
Fax: +49 5231 14-292083
www.weidmueller.com

Product image

Similar to illustration

TERMSERIES accessories include:

- Spare relay
- Base
- Partition plates
- Cross-connections
- Power-feed modules

General ordering data

| | |
|------------|---|
| Type | TRP 120VUC 2CO EMPTY |
| Order No. | 2681010000 |
| Version | TERMSERIES, Relay bases, Number of contacts: 2 CO contact, Rated control voltage: 120 V UC ±10 %, Continuous current: 10 A, PUSH IN |
| GTIN (EAN) | 4050118695410 |
| Qty. | 10 pc(s). |

Creation date May 5, 2020 8:42:56 PM CEST

Catalogue status 01.05.2020 / We reserve the right to make technical changes.

TERMSERIES
TRP 120VUC 2CO EMPTY

Weidmüller Interface GmbH & Co. KG
 Klingenbergstraße 26
 D-32758 Detmold
 Germany
 Fon: +49 5231 14-0
 Fax: +49 5231 14-292083
 www.weidmueller.com

Technical data**Dimensions and weights**

| | | | |
|------------|---------|-----------------|------------|
| Width | 12.8 mm | Width (inches) | 0.504 inch |
| Height | 89.4 mm | Height (inches) | 3.52 inch |
| Depth | 87.8 mm | Depth (inches) | 3.457 inch |
| Net weight | 44.5 g | | |

Temperatures

| | | | |
|-----------------------------|----------------|-----------------------------|----------------|
| Operating temperature, max. | 60 °C | Operating temperature, min. | -40 °C |
| Storage temperature, max. | 85 °C | Storage temperature, min. | -40 °C |
| Operating temperature | -40 °C...60 °C | Storage temperature | -40 °C...85 °C |

Rated data UL

| | | | |
|------------------------------------|---------------------------|---|--|
| Certificate No. (cURus) | E223759 | Ambient temperature (operational), max. | 60 °C |
| Output current derating (ohmic) | 6 A @ 60 °C, 8 A @ 50 °C | Connection cross-section AWG, min. | AWG 26 |
| Connection cross-section AWG, max. | AWG 14 | Type of conductor | rigid copper conductor, flexible copper conductor |
| Tightening torque, max. | 0.4 Nm | Pollution severity level | 2 |
| Altitude | ≤ 2000 m, above sea level | | |

Input

| | | | |
|---------------------------------------|-----------------|---|-----------|
| Rated control voltage | 120 V UC ± 10 % | Status indicator | Green LED |
| Protective circuit | Rectifier | Coil voltage of the replacement relay deviating from the rated control voltage | Yes |
| Coil voltage of the replacement relay | 110 V DC | | |

Output

| | | | |
|-------------------------|----------|--------------------|------|
| Rated switching voltage | 250 V AC | Continuous current | 10 A |
|-------------------------|----------|--------------------|------|

Contact data

| | |
|--------------|--------------|
| Contact type | 2 CO contact |
|--------------|--------------|

General data

| | | | |
|---------------------------|-------|--------|-------|
| Rail | TS 35 | Colour | black |
| UL 94 flammability rating | V-0 | | |

Insulation coordination

| | | | |
|---|-----------------------------|---|------------------------------|
| Rated voltage | 300 V | Surge voltage category | III |
| Pollution severity | 2 | Protection degree | IP20 |
| Dielectric strength, Input/Output | 1.2 kV _{eff} / 5 s | Creepage and clearance distance input – output | ≥ 5.5 mm |
| Dielectric strength of neighbouring contacts | 2.5 kV _{eff} | Dielectric strength to mounting rail | 4 kV _{eff} / 1 Min. |
| Impulse withstand voltage | 6 kV (1.2/50 μs) | | |

Further details of approvals / standards

| | |
|-------------------------|---------|
| Certificate No. (cURus) | E223759 |
|-------------------------|---------|

TERMSERIES
TRP 120VUC 2CO EMPTY

Weidmüller Interface GmbH & Co. KG
 Klingenbergstraße 26
 D-32758 Detmold
 Germany
 Fon: +49 5231 14-0
 Fax: +49 5231 14-292083
 www.weidmueller.com

Technical data**Connection data**

| | | | |
|---|---------------------|---|----------------------|
| Wire connection method | PUSH IN | Stripping length, rated connection | 8 mm |
| Clamping range, rated connection | 1.5 mm ² | Clamping range, min. | 0.14 mm ² |
| Clamping range, max. | 2.5 mm ² | Wire connection cross section AWG, min. | AWG 26 |
| Wire connection cross section AWG, max. | AWG 14 | Wire cross-section, solid, min. | 0.14 mm ² |
| Wire cross-section, solid, max. | 2.5 mm ² | Wire connection cross-section, finely stranded, min. | 0.14 mm ² |
| Wire connection cross section, finely stranded, max. | 2.5 mm ² | Wire cross-section, finely stranded, min. (AWG) | AWG 26 |
| Wire cross-section, finely stranded, max. (AWG) | AWG 14 | Wire connection cross-section, finely stranded with wire-end ferrules DIN 46228/4, min. | 0.25 mm ² |
| Wire connection cross-section, finely stranded with wire-end ferrules DIN 46228/4, max. | 2.5 mm ² | Conductor cross-section, flexible, AEH (DIN 46228-1), min. | 0.25 mm ² |
| Conductor cross-section, flexible, AEH (DIN 46228-1), max. | 2.5 mm ² | Wire connection cross section, finely stranded, two clampable wires, min. | 0.5 mm ² |
| Wire cross-section, finely stranded, two clampable wires, max. | 1 mm ² | Twin wire-end ferrules, min. | 0.5 mm ² |
| Twin wire-end ferrules, max. | 1 mm ² | Blade size | 0.4 x 2.0 mm |

Classifications

| | | | |
|-------------|-------------|------------|-------------|
| ETIM 6.0 | EC001456 | ETIM 7.0 | EC001456 |
| eClass 9.0 | 27-37-16-03 | eClass 9.1 | 27-37-16-03 |
| eClass 10.0 | 27-37-16-03 | | |

Approvals

Approvals

**Downloads**

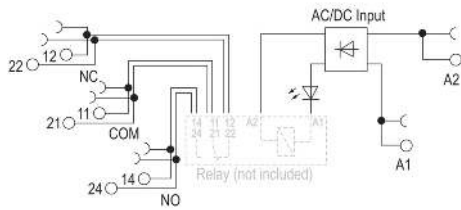
| | |
|---|---|
| Approval/Certificate/Document of Conformity | EU Konformitätserklärung / EU Declaration of Conformity |
| Engineering Data | STEP |
| User Documentation | Beipackzettel / Package Insert – multilingual |

**TERMSERIES
TRP 120VUC 2CO EMPTY**

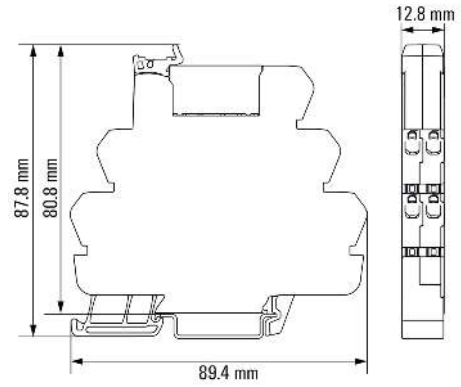
Weidmüller Interface GmbH & Co. KG
 Klingenbergstraße 26
 D-32758 Detmold
 Germany
 Fon: +49 5231 14-0
 Fax: +49 5231 14-292083
 www.weidmueller.com

Drawings

Wiring diagram



Dimensional drawing



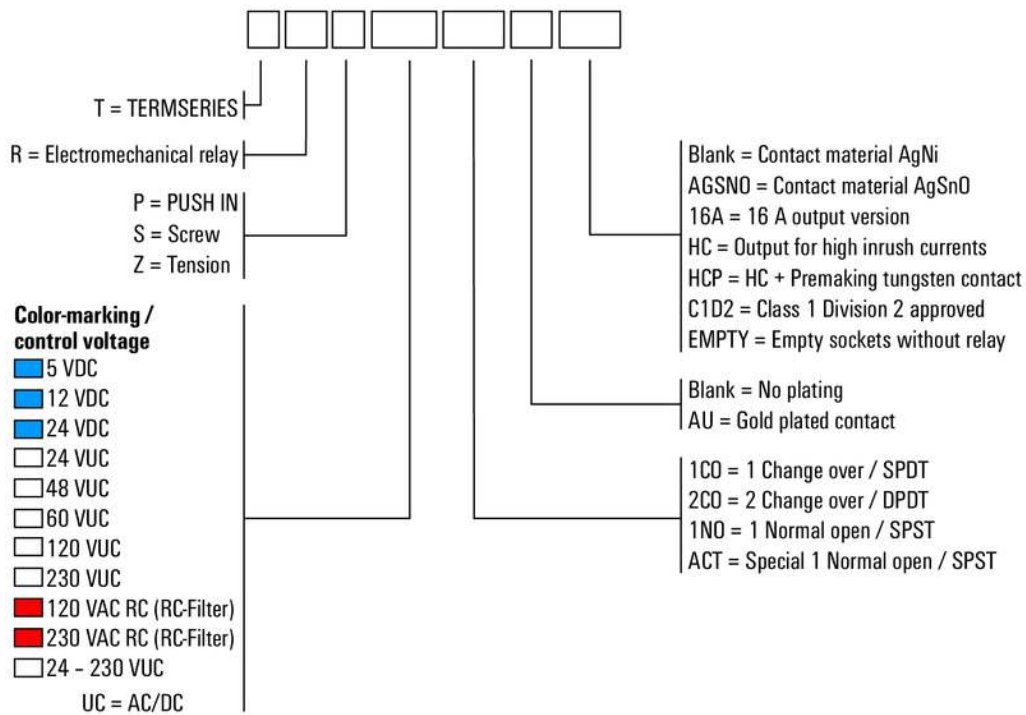
**TERMSERIES
TRP 120VUC 2CO EMPTY**

Weidmüller Interface GmbH & Co. KG
 Klingenbergstraße 26
 D-32758 Detmold
 Germany
 Fon: +49 5231 14-0
 Fax: +49 5231 14-292083
 www.weidmueller.com

Drawings

Miscellaneous

Type code TERMSERIES electromechanical relay versions



Type codes