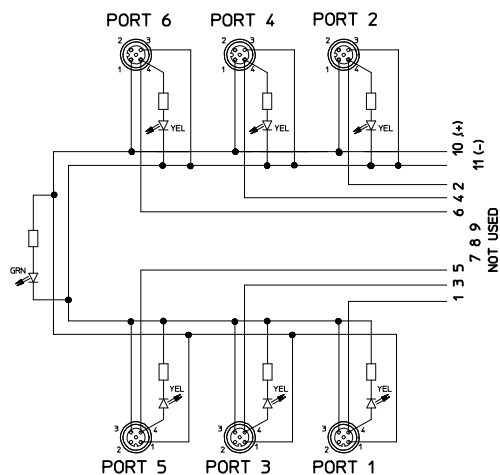


ELECTRICAL DIAGRAM

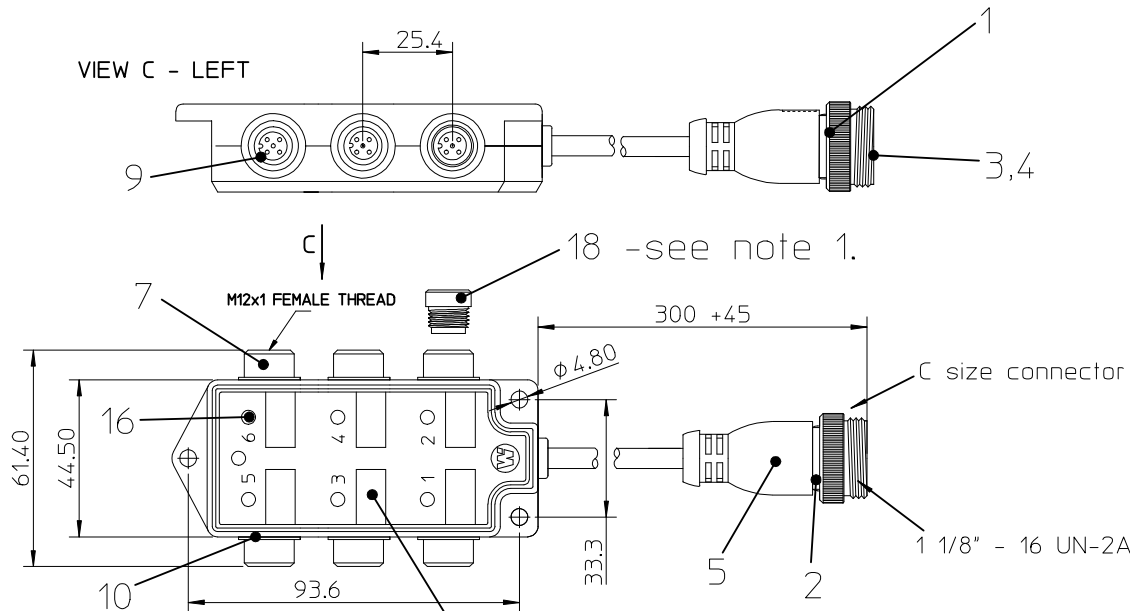


GENERAL CHARACTERISTICS:

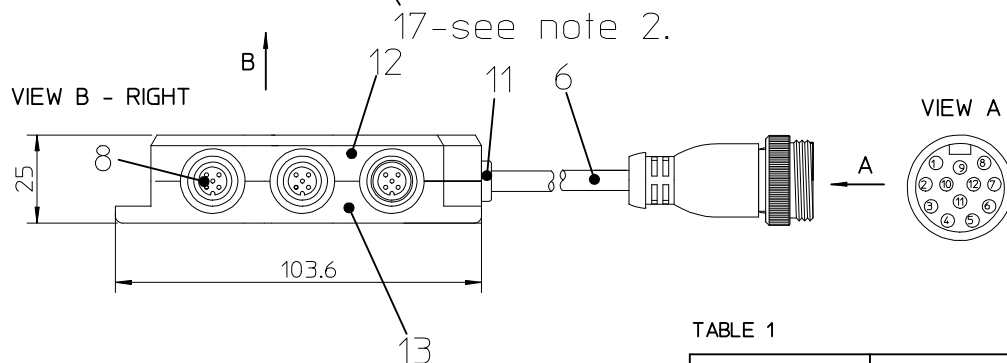
VOLTAGE: 10-30 V DC
 RATED CURRENT: 4 A PER PORT / 12 A MAX: TOTAL
 IP DEGREE OF PROTECTION: IP 68
 TEMPERATURE RANGE: -5°C TO +70°C

19	-	WEVO RESIN	-	NATURAL
18	2	BLANKING PLUG	PA	BLACK
17	7	PLASTIC LABEL	PVC	WHITE
16	7	LENS LED	EMS GRIVORY	TRANSPARENT
15	5	SCREW	METAL ALLOY	ZINC PLATED
14	1	HIGH CURRENT PCB	-	-
13	1	HOUSING BOTTOM	PA	YELLOW
12	1	HOUSING TOP	PA	YELLOW
11	1	GROMMET	NBR	BLACK
10	6	O-RING 0.489DX0.07	NBR	BLACK
9	6	O-RING 7.1X1.35	FFM	RED
8	6	M12 FEMALE HOUSING	PA	BLACK
7	6	M12 FEMALE SHELL	ZINC	ELECTROPHORETIC BLACK
6	-	CABLE CEI GRY 3X0.75, 8X0.34	PVC	GREY
5	-	OVERMOULD	PVC	YELLOW
4	3	PIN CONTACTS 18AWG	BRASS	GOLD OVER NICKEL
3	9	PIN CONTACTS 22AWG	BRASS	GOLD OVER NICKEL
2	1	MALE HOUSING 12P	PVC	YELLOW
1	1	MALE NUT - C SIZE	ALUMINIUM	BLACK ANODISED
ITEM	QTY.	DESCRIPTION	MATERIAL	FINISH

VIEW C - LEFT



VIEW B - RIGHT



VIEW A



NOTES:

1. BLANKING PLUG ONLY ON PORT 1 AND 2.
2. PLASTIC LABELS ARE IN SEPARATE BAG.

TABLE 1

MOLEX PN	ENGINEERING PN
1201150072	BSY606P-FBI

ORIGINAL RELEASE EC NO: IPG2014-1274 DRW:MSZWAJKOWSKI 2014/01/20 CHK:DEPEZDA 2014/01/20 APPR:MIWASIECZKO 2014/01/21	QUALITY SYMBOLS ▽=0 ◻=0	GENERAL TOLERANCES (UNLESS SPECIFIED)		DIMENSION STYLE MM ONLY		SCALE ---	DESIGN UNITS METRIC	THIRD ANGLE PROJECTION	
		4 PLACES ± --- ± ---		DRAWN BY DATE		TITLE			
		3 PLACES ± --- ± ---		MSZWAJKOWSKI 2014/01/20		DBO MC PNP 6PT AC PVC 0.3M			
		2 PLACES ± 0.05 ± ---		CHECKED BY DATE		molex			
1 PLACE ± 0.3 ± ---		EPEZDA 2014/01/20		DOCUMENT NO. SD-120115-012					
0 PLACE ± 0.5 ± ---		APPROVED BY DATE		SHEET NO. 1 OF 1					
ANGULAR ± 1 °		MATERIAL NO.		THIS DRAWING CONTAINS INFORMATION THAT IS PROPRIETARY TO MOLEX INCORPORATED AND SHOULD NOT BE USED WITHOUT WRITTEN PERMISSION					
DRAFT WHERE APPLICABLE MUST REMAIN WITHIN DIMENSIONS		SIZE A3							