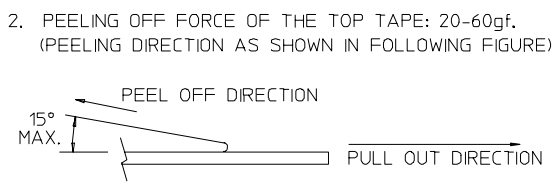
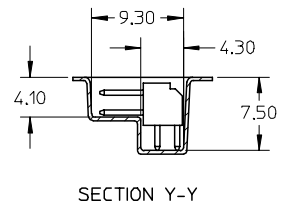
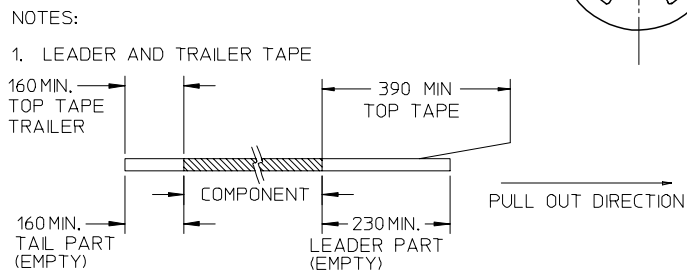
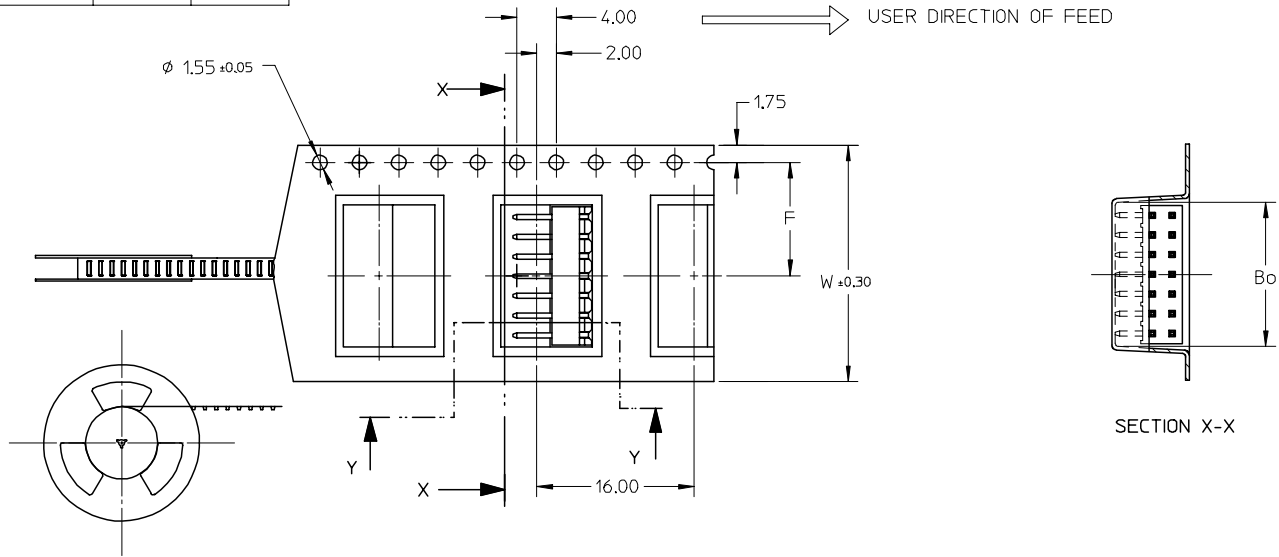


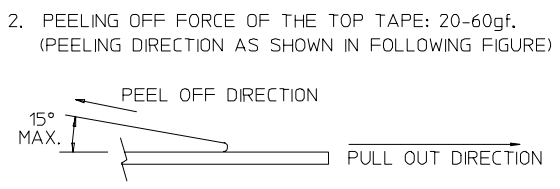
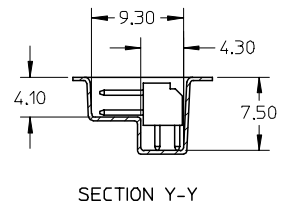
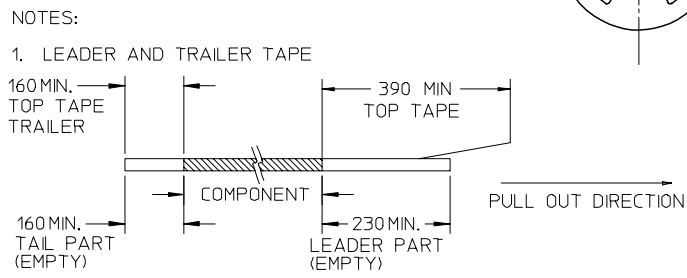
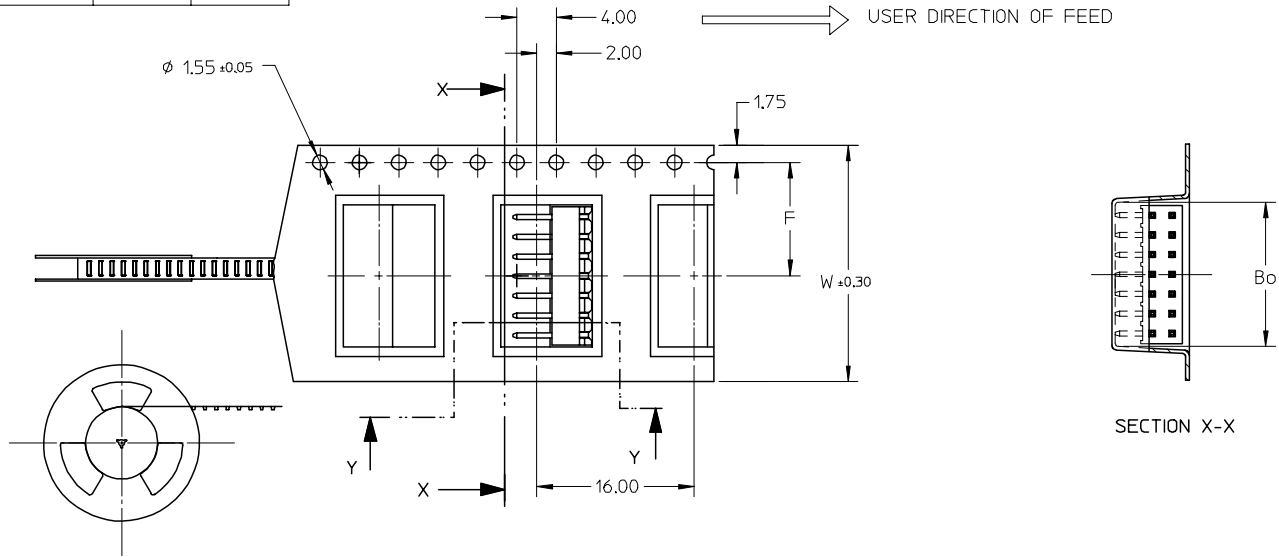
		10	9	8	7	6	5	4	3	2	1
F	PART NUMBER (IN TAPE/REEL)	CKT SIZE	A	B	Bo	F	So	W			
	87760-8011	4	2.00	4.00	4.30	7.50	-	16.00			
	87760-8012	10	8.00	10.00	10.40	11.50	-	24.00			
	87760-8013	12	10.00	12.00	12.40	11.50	-	24.00			
	87760-8014	14	12.00	14.00	14.40	11.50	-	24.00			



3. PACKAGING STANDARD IS AS PER EIA-481.
4. TAPE & REEL QUANTITY = 500PCS/REEL

EC NO: S2005-0842 2005/06/01	DRWN: YLQIAO 2005/06/01	CHKD: PTLIM 2005/06/01	APPR: SLOW 2005/06/01	DESCRIPTION	QUALITY SYMBOLS	GENERAL TOLERANCES (UNLESS SPECIFIED)		DIMENSION STYLE	SCALE	DESIGN UNITS	THIRD ANGLE PROJECTION	
					▽=0 ▽C=0	mm	INCH	NTS	METRIC			
DRAWING TITLE					4 PLACES	± ---	± ---	DRAWN BY	DATE	SALES DRAWING MGRID 2MM DUAL ROW HRD. R/A, IN TAPE & REEL		
					3 PLACES	± ---	± ---	YLQIAO	2005/02/28			
DRAFT WHERE APPLICABLE MUST REMAIN WITHIN DIMENSIONS					2 PLACES	± 0.2	± ---	CHECKED BY	DATE	MOLEX INCORPORATED		
					1 PLACE	± ---	± ---	PTLIM	2005/06/01			
SIZE					ANGULAR ± 3 °		SEE TABLE	APPROVED BY	DATE	SD-87760-148		
					MATERIAL NO.		DOCUMENT NO.	SHEET NO.				
A					A3		THIS DRAWING CONTAINS INFORMATION THAT IS PROPRIETARY TO MOLEX INCORPORATED AND SHOULD NOT BE USED WITHOUT WRITTEN PERMISSION					

		10	9	8	7	6	5	4	3	2	1
F	PART NUMBER (IN TAPE/REEL)	CKT SIZE	A	B	Bo	F	So	W			
	87760-8011	4	2.00	4.00	4.30	7.50	-	16.00			
	87760-8012	10	8.00	10.00	10.40	11.50	-	24.00			
	87760-8013	12	10.00	12.00	12.40	11.50	-	24.00			
	87760-8014	14	12.00	14.00	14.40	11.50	-	24.00			



- PACKAGING STANDARD IS AS PER EIA-481.
- TAPE & REEL QUANTITY = 500PCS/REEL

EC NO: S2005-0842 2005/06/01	DRWN: YLQIAO 2005/06/01	CHKD: PTLIM 2005/06/01	APPR: SCLOW 2005/06/01	DESCRIPTION	QUALITY SYMBOLS	GENERAL TOLERANCES (UNLESS SPECIFIED)		DIMENSION STYLE	SCALE	DESIGN UNITS	THIRD ANGLE PROJECTION	
					▽=0 ▽C=0	mm	INCH	NTS	METRIC			
DRAWING DESCRIPTION					4 PLACES	± ---	± ---	DRAWN BY	DATE	TITLE		
					3 PLACES	± ---	± ---	YLQIAO	2005/02/28	SALES DRAWING		
DRAWING DESCRIPTION					2 PLACES	± 0.2	± ---	CHECKED BY	DATE	MGRID 2MM DUAL ROW HRD. R/A, IN TAPE & REEL		
					1 PLACE	± ---	± ---	PTLIM	2005/06/01	MOLEX INCORPORATED		
DRAWING DESCRIPTION					ANGULAR ± 3 °			APPROVED BY	DATE	DOCUMENT NO.		
								SCLOW	2005/06/01	SD-87760-148		
DRAWING DESCRIPTION					DRAFT WHERE APPLICABLE MUST REMAIN WITHIN DIMENSIONS			MATERIAL NO.		SHEET NO.		
										2 OF 2		
A					SIZE	THIS DRAWING CONTAINS INFORMATION THAT IS PROPRIETARY TO MOLEX INCORPORATED AND SHOULD NOT BE USED WITHOUT WRITTEN PERMISSION						
A3												