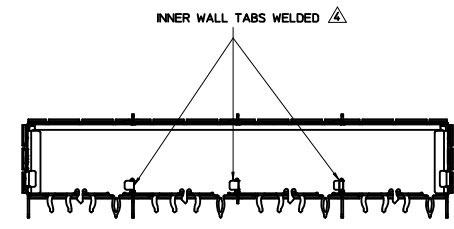
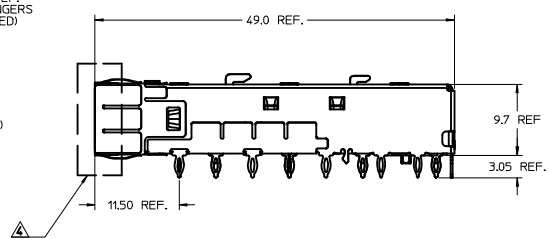
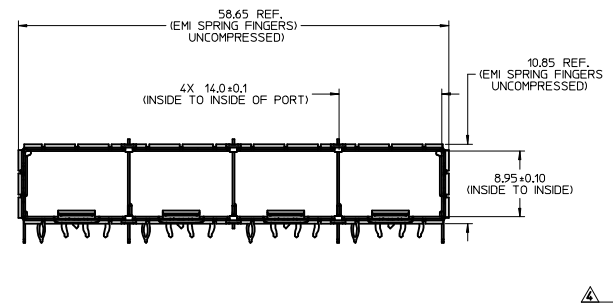
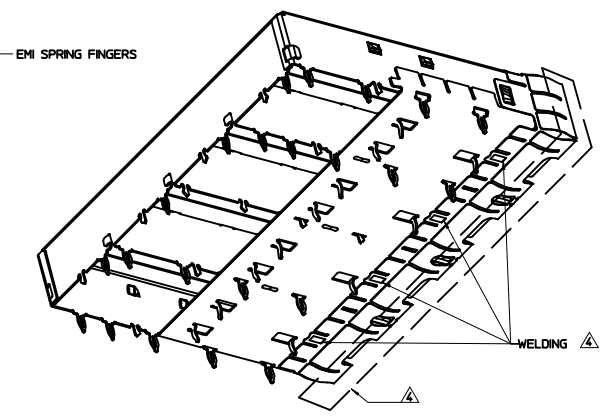
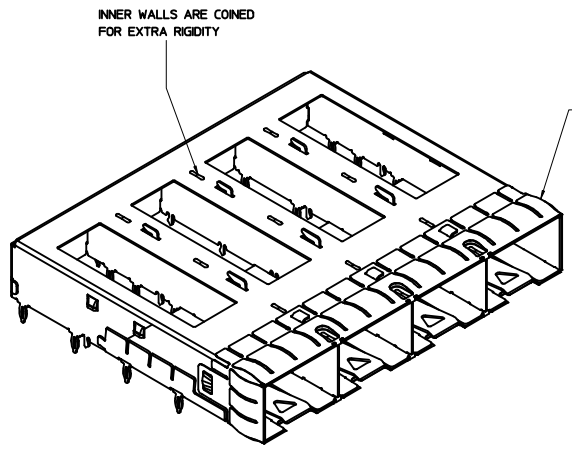
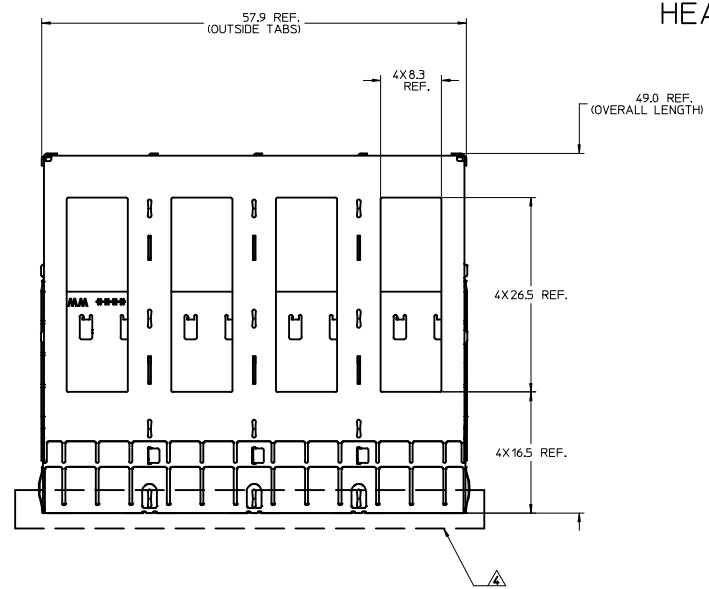


CAGE ASSEMBLY

HEATSINK/CLIP NOT SHOWN FOR CLARITY



P/N	DESCRIPTION
111112-4430	SEE SHEET 2
111112-5430	SEE SHEET 3
111112-6430	SEE SHEET 4
111112-6431	SEE SHEET 5

NOTES:

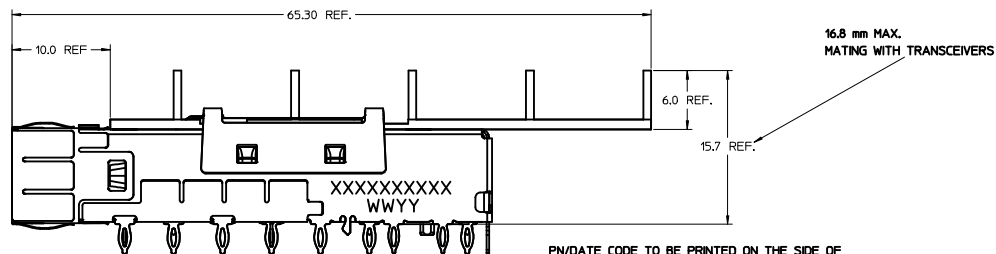
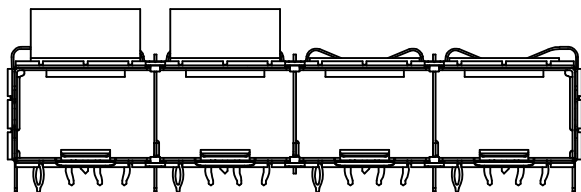
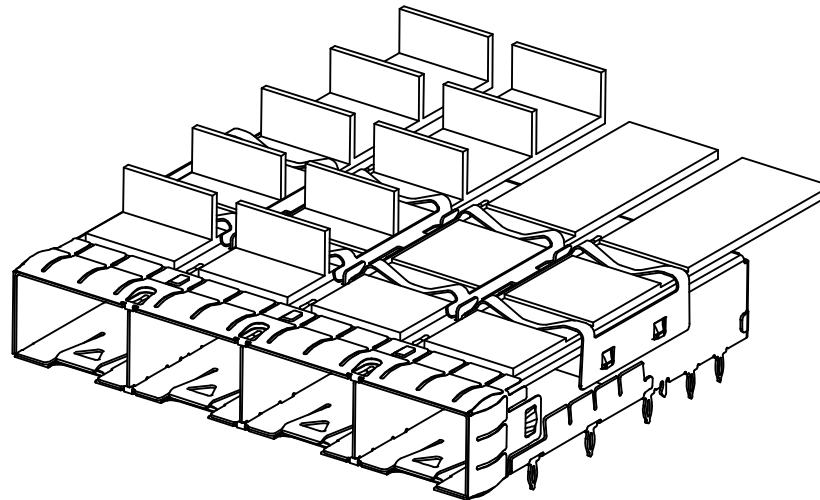
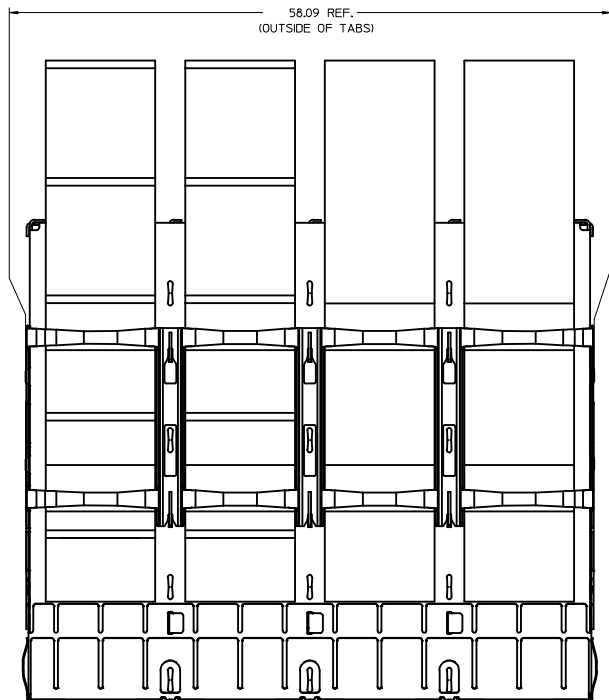
- MATERIAL:**
 CAGE: 0.25mm THICK COPPER ALLOY, NICKEL PLATED.
 SPRING FINGERS: 0.10mm THICK COPPER ALLOY, NICKEL PLATED.
 HEATSINK: ALUMINUM, NICKEL PLATED.
 HEATSINK SPRING CLIP: STAINLESS STEEL.
- PRESS FIT LEGS 3.05mm LONG;
- PORTS ARE DESIGNED FOR SFP+ TRANSCEIVERS AND ARE COMPATIBLE WITH SFP TRANSCEIVERS.
 THE TOP SURFACE OF THE MODULE MUST BE FLAT (NO PRODUCT LABEL RECESS) AND THERMALLY CONDUCTIVE TO FUNCTION OPTIMALLY.
- WELD SPOT MAY SHOW SLIGHT MATERIAL DISCOLORATION.
- NO RoHS EXEMPTIONS.

SEE REVISION TABLE IEC NO: CPG2016-0646 DRAWN BY: CHYKH APPR: RCHEN08 2015/08/11 2015/08/24	QUALITY SYMBOLS ∇=0 ∇=0 ∇=0	GENERAL TOLERANCES (UNLESS SPECIFIED) mm INCH 4 PLACES ± .005 ± .0005 3 PLACES ± .010 ± .0008 2 PLACES ± 0.15 ± .0063 1 PLACE ± 0.25 ± .0100 0 PLACE ± ±	DIMENSION STYLE MM ONLY DRAWN BY: DSUN15 DATE: 2015/02/25 CHECKED BY: RCHEN08 DATE: 2015/02/26 APPROVED BY: RCHEN08 DATE: 2015/04/30	SCALE 3:1 DESIGN UNITS METRIC THIRD ANGLE PROJECTION	TITLE SFP+ 1X4 CAGE, .120 INCH PRESS FIT, HEAT SINKS, WITH EMI SPRING FINGERS molex
	MATERIAL NO. SEE TABLE DRAFT WHERE APPLICABLE MUST REMAIN WITHIN DIMENSIONS		DOCUMENT NO. SD-11112-4430		SHEET NO. 1 OF 8
	THIS DRAWING CONTAINS INFORMATION THAT IS PROPRIETARY TO MOLEX INCORPORATED AND SHOULD NOT BE USED WITHOUT WRITTEN PERMISSION				
	SIZE D				

CAGE ASSEMBLY W/ HEAT SINK

111124430

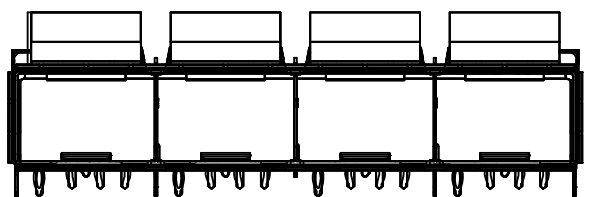
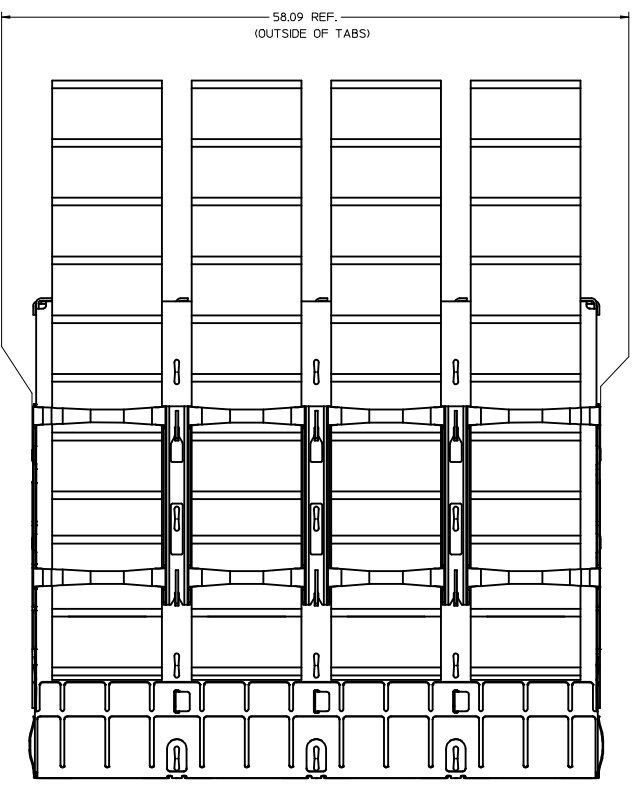
SHOWN



PN/DATE CODE TO BE PRINTED ON THE SIDE OF COMPLETED CAGE ASSEMBLY APPROXIMATELY AS SHOWN.

WEEK/YEAR DATE CODE TABLE	
WW	01 THRU 52 OR 53 EXAMPLE: 01 = FIRST WEEK OF YEAR 52 = LAST WEEK OF YEAR
YY	11, 12, 13 ETC. EXAMPLE: YEAR 2013 = 13

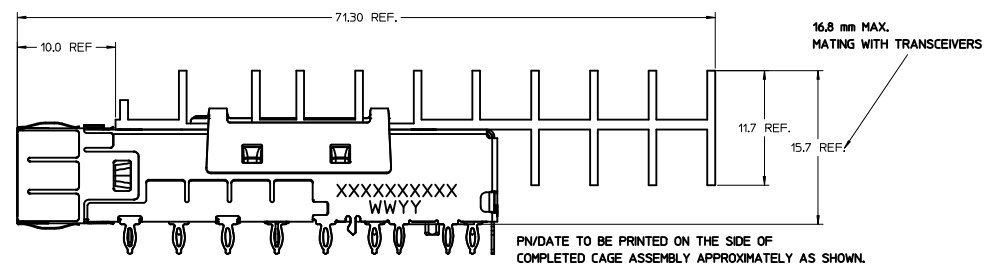
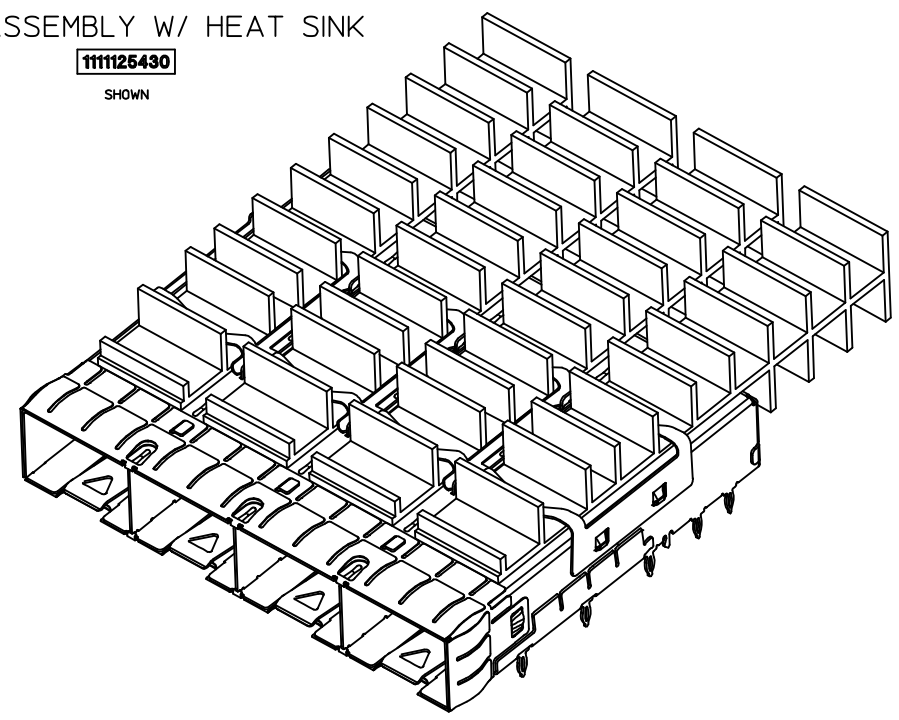
SEE REVISION TABLE EC NO: CPG2016-0646 DRAWN BY: RCHEN08 CHYD: APPR: RCHEN08 2015/08/11 2015/08/24	QUALITY SYMBOLS ∇=0 ∇=0 ∇=0	GENERAL TOLERANCES (UNLESS SPECIFIED) mm INCH 4 PLACES ± --- ± --- 3 PLACES ± --- ± --- 2 PLACES ± 0.15 ± --- 1 PLACE ± 0.25 ± --- 0 PLACE ± ±	DIMENSION STYLE MM ONLY DRAWN BY: DSUN15 DATE: 2015/02/25 CHECKED BY: RCHEN08 DATE: 2015/02/26 APPROVED BY: RCHEN08 DATE: 2015/04/30	SCALE: 4:1 DESIGN UNITS: METRIC THIRD ANGLE PROJECTION	TITLE: SFP+ 1X4 CAGE, .120 INCH PRESS FIT, HEAT SINKS, WITH EMI SPRING FINGERS molex
	ANGULAR ± 1 ° DRAFT WHERE APPLICABLE MUST REMAIN WITHIN DIMENSIONS	MATERIAL NO.: 111124430 SIZE: D	DOCUMENT NO.: SD-11112-4430	SHEET NO.: 2 OF 8	
	THIS DRAWING CONTAINS INFORMATION THAT IS PROPRIETARY TO MOLEX INCORPORATED AND SHOULD NOT BE USED WITHOUT WRITTEN PERMISSION				



CAGE ASSEMBLY W/ HEAT SINK

111125430

SHOWN



PN/DATE TO BE PRINTED ON THE SIDE OF COMPLETED CAGE ASSEMBLY APPROXIMATELY AS SHOWN.

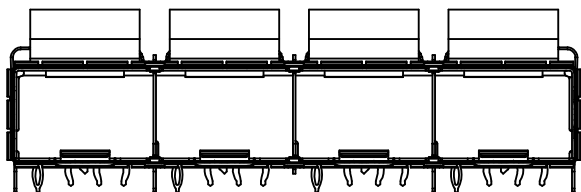
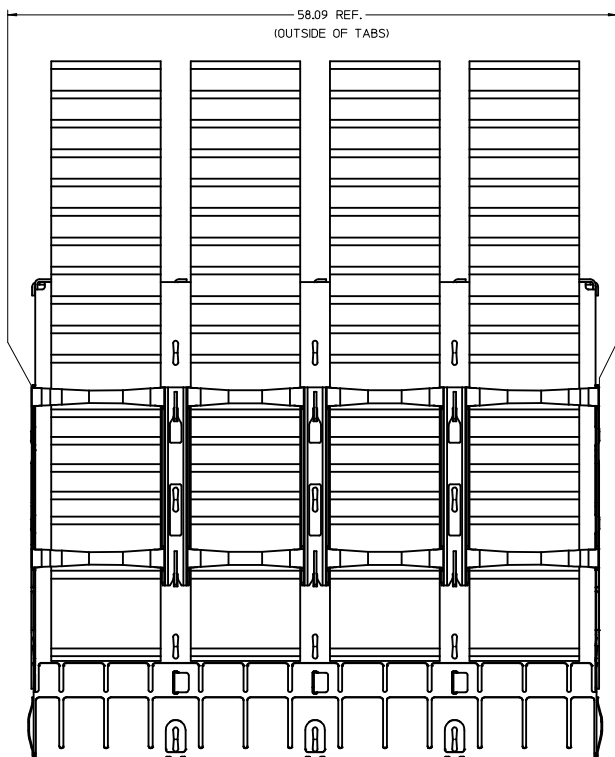
WEEK/YEAR DATE CODE TABLE	
WW	01 THRU 52 OR 53 EXAMPLE: 01 = FIRST WEEK OF YEAR 52 = LAST WEEK OF YEAR
YY	11, 12, 13 ETC. EXAMPLE: YEAR 2013 = 13

SEE REVISION TABLE IEC NO: CPG2016-0646 DRAWN BY: PCHEN CHKD: PCHEN APPR: RCHEN08 2015/08/11 2015/08/24	QUALITY SYMBOLS	GENERAL TOLERANCES (UNLESS SPECIFIED)	DIMENSION STYLE	SCALE	DESIGN UNITS	THIRD ANGLE PROJECTION
	▽=0	4 PLACES ± .05	mm INCH	4:1	METRIC	☉
	▽=0	3 PLACES ± .02				
	▽=0	2 PLACES ± 0.15				
	1 PLACE ± 0.25					
	0 PLACE ±					
	ANGULAR ± 1°					
	DRAFT WHERE APPLICABLE MUST REMAIN WITHIN DIMENSIONS					
			MATERIAL NO.	DOCUMENT NO.		
			111125430	SD-11112-4430		
			SIZE D	THIS DRAWING CONTAINS INFORMATION THAT IS PROPRIETARY TO MOLEX INCORPORATED AND SHOULD NOT BE USED WITHOUT WRITTEN PERMISSION		

SFP+ 1X4 CAGE, .120 INCH PRESS FIT, HEAT SINKS, WITH EMI SPRING FINGERS

molex

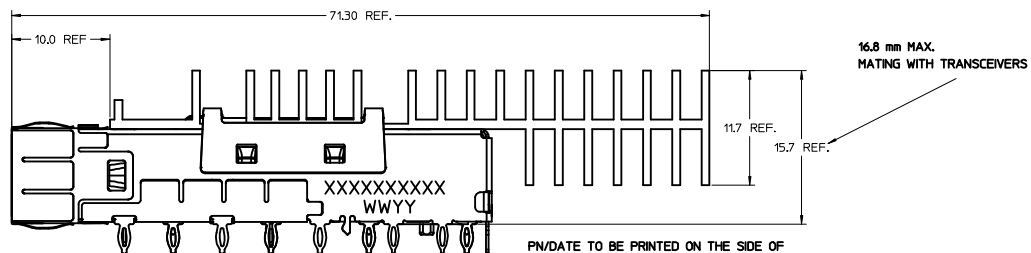
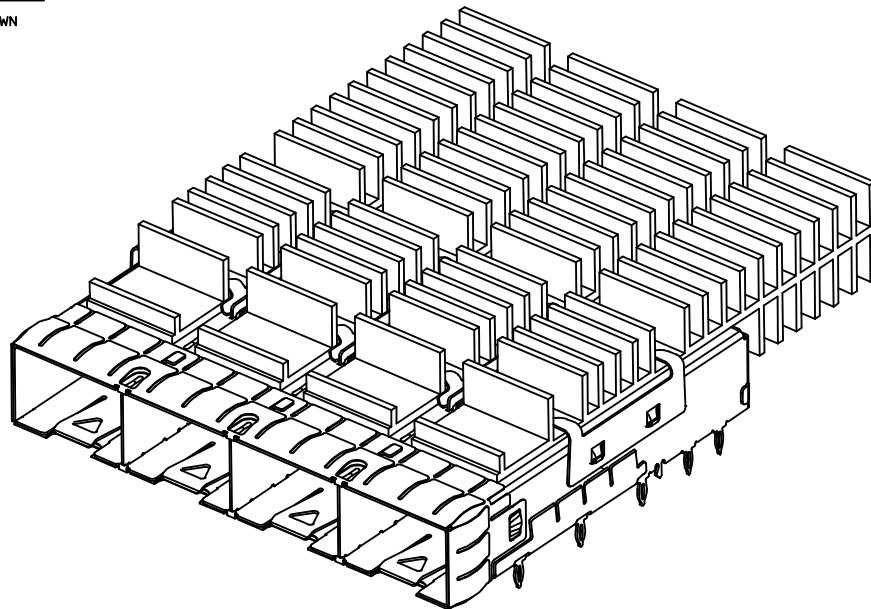
SHEET NO. 3 OF 8



CAGE ASSEMBLY W/ HEAT SINK

111126430

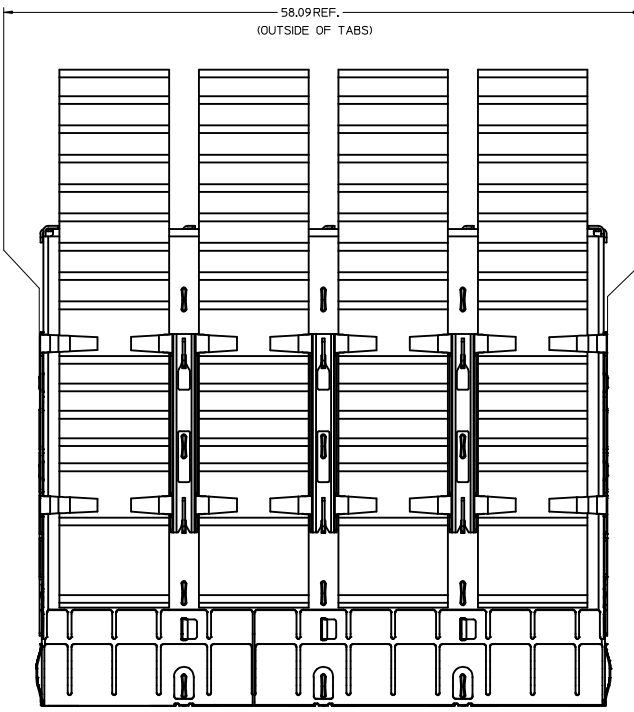
SHOWN



PN/DATE TO BE PRINTED ON THE SIDE OF COMPLETED CAGE ASSEMBLY APPROXIMATELY AS SHOWN.

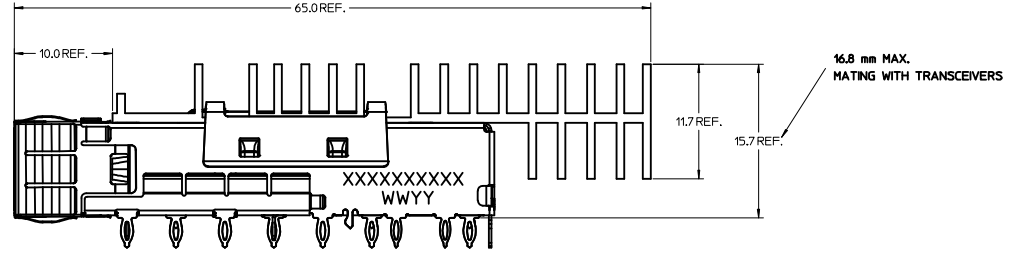
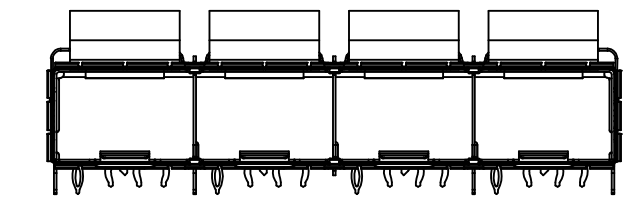
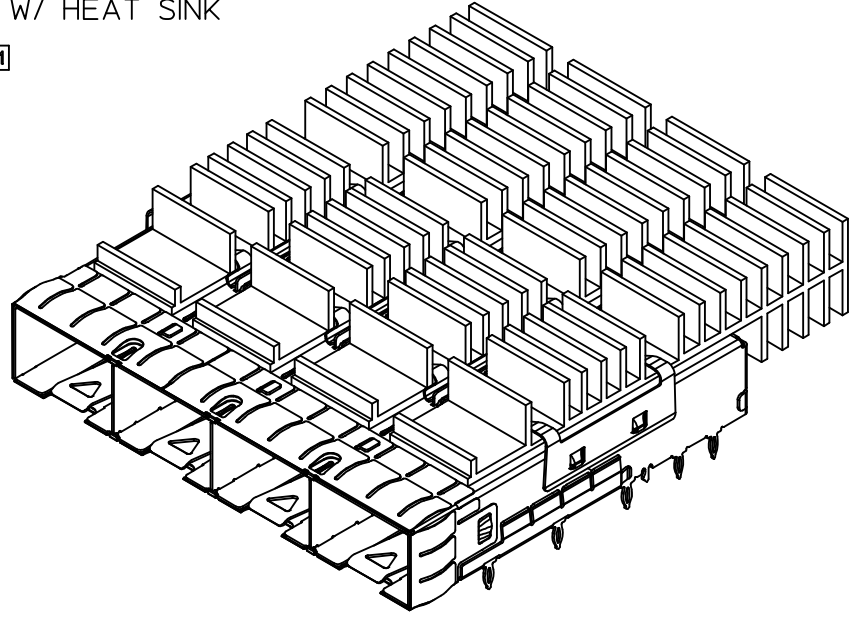
WEEK/YEAR DATE CODE TABLE	
WW	01 THRU 52 OR 53 EXAMPLE: 01 = FIRST WEEK OF YEAR 52 = LAST WEEK OF YEAR
YY	11, 12, 13 ETC. EXAMPLE: YEAR 2015 = 15

SEE REVISION TABLE IEC NO: CPG2016-0646 DRAWN BY: CHYD APPR: RCHEN08 2015/08/11 2015/08/24	QUALITY SYMBOLS	GENERAL TOLERANCES (UNLESS SPECIFIED)	DIMENSION STYLE	SCALE	DESIGN UNITS	THIRD ANGLE PROJECTION
	▽=0	mm INCH	MM ONLY	4:1	METRIC	☉
	▽=0	4 PLACES ± --- ± ---	DRAWN BY DATE	TITLE		
	▽=0	3 PLACES ± --- ± ---	DSUN15 2015/02/25	SFP+ 1X4 CAGE, .120 INCH PRESS FIT, HEAT SINKS, WITH EMI SPRING FINGERS		
	2 PLACES ± 0.15 ± ---	CHECKED BY DATE	MATERIAL NO.			SHEET NO.
	1 PLACE ± 0.25 ± ---	RCHEN08 2015/02/26	111126430			4 OF 8
	0 PLACE ± ±	APPROVED BY DATE	DOCUMENT NO.			
		RCHEN08 2015/04/30	SD-11112-4430			
		ANGULAR ± 1 °	THIS DRAWING CONTAINS INFORMATION THAT IS PROPRIETARY TO MOLEX INCORPORATED AND SHOULD NOT BE USED WITHOUT WRITTEN PERMISSION			
		DRAFT WHERE APPLICABLE MUST REMAIN WITHIN DIMENSIONS				



CAGE ASSEMBLY W/ HEAT SINK

111126431
SHOWN

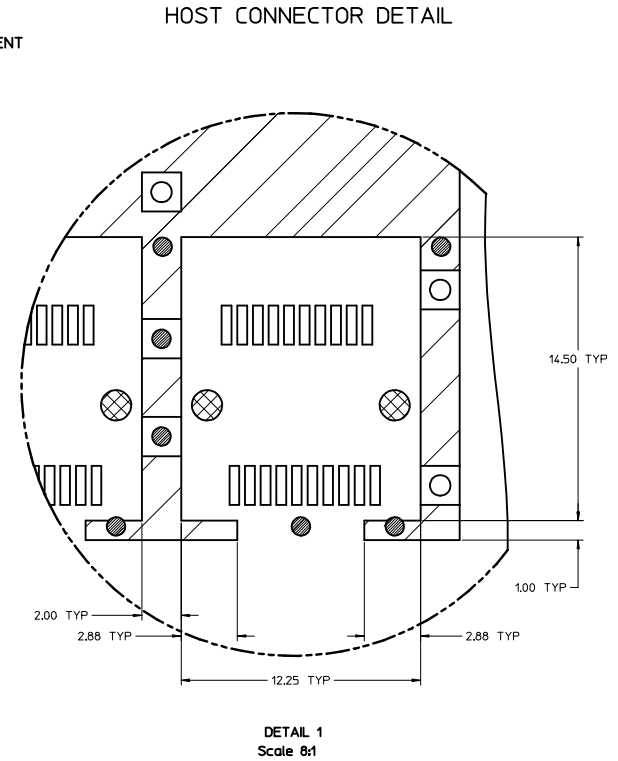
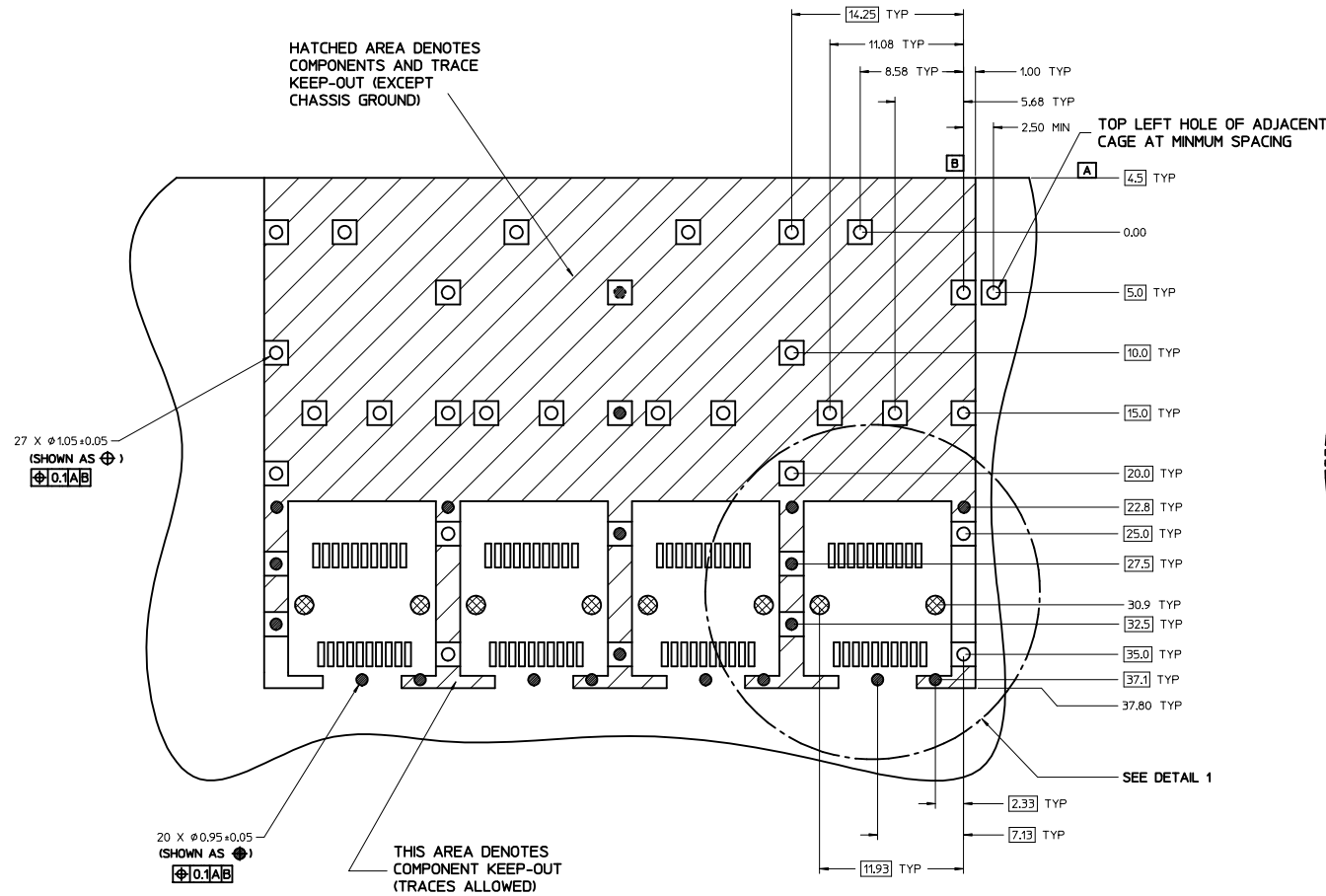


PN/DATE TO BE PRINTED ON THE SIDE OF COMPLETED CAGE ASSEMBLY APPROXIMATELY AS SHOWN.

WEEK/YEAR DATE CODE TABLE	
WW	01 THRU 52 OR 53 EXAMPLE: 01 = FIRST WEEK OF YEAR 52 = LAST WEEK OF YEAR
YY	15, 16, 17 ETC. EXAMPLE: YEAR 2015 = 15

SEE REVISION TABLE IEC NO: CPG2016-0646 DRAWN BY: CHYKD APPR: RCHEN08 2015/08/24	QUALITY SYMBOLS ∇=0 ∇=0 ∇=0	GENERAL TOLERANCES (UNLESS SPECIFIED) mm INCH 4 PLACES ± --- ± --- 3 PLACES ± --- ± --- 2 PLACES ± 0.15 ± --- 1 PLACE ± 0.25 ± --- 0 PLACE ± ±	DIMENSION STYLE MM ONLY DRAWN BY: DSUN15 DATE: 2015/02/25 CHECKED BY: RCHEN08 DATE: 2015/02/26 APPROVED BY: RCHEN08 DATE: 2015/04/30	SCALE: 4:1 DESIGN UNITS: METRIC THIRD ANGLE PROJECTION	TITLE: SFP+ 1X4 CAGE, .120 INCH PRESS FIT, HEAT SINKS, WITH EMI SPRING FINGERS molex
	ANGLULAR ± 1 ° DRAFT WHERE APPLICABLE MUST REMAIN WITHIN DIMENSIONS	MATERIAL NO: 4111126431 DOCUMENT NO: SD-11112-4430	SHEET NO: 5 OF 8		
	THIS DRAWING CONTAINS INFORMATION THAT IS PROPRIETARY TO MOLEX INCORPORATED AND SHOULD NOT BE USED WITHOUT WRITTEN PERMISSION				
	SIZE D				

PCB LAYOUT FOR SINGLE SIDE MOUNT



27 X $\phi 1.05 \pm 0.05$
(SHOWN AS \oplus)
 $\phi 0.1A/B$

20 X $\phi 0.95 \pm 0.05$
(SHOWN AS \bullet)
 $\phi 0.1A/B$

THIS AREA DENOTES
COMPONENT KEEP-OUT
(TRACES ALLOWED)

- NOTES:**
1. PADS AND VIAS CONNECT TO CHASSIS GROUND (RECOMMEND PADS TO BE 2.00mm SQUARE)
 2. RECOMMENDED THRU HOLE PLATING INCLUDES HASL, OSP, OR IMMERSION (GOLD, SILVER, OR TIN).
 3. CONNECTOR PAD LAYOUT PER SFP+ MSA WILL ACCOMMODATE MOLEX CONNECTOR SERIES 74441 OR EQUIVALENT.
 4. HOLE PATTERN REPEATS FOR EACH PORT. SPACING BETWEEN PORTS IS 14.25mm.
 5. MIN PCB THICKNESS FOR SINGLE SIDED USE: 1.57mm.

SEE REVISION TABLE		QUALITY SYMBOLS		GENERAL TOLERANCES (UNLESS SPECIFIED)		DIMENSION STYLE		SCALE	DESIGN UNITS	THIRD ANGLE PROJECTION
REV	DESCRIPTION	mm	INCH	UNLESS SPECIFIED		MM ONLY	DATE	4:1	METRIC	\circlearrowleft
1	DRW:RCHEN08 2015/08/24	±0.15	±0.005	4 PLACES	±0.15	DSUN15	2015/02/25			
2	CHKD:RCHEN08 2015/08/24	±0.25	±0.010	3 PLACES	±0.25	RCHEN08	2015/02/26			
3	APPR:RCHEN08 2015/08/24	±0.30	±0.012	2 PLACES	±0.30	RCHEN08	2015/04/30			
4		±0.35	±0.015	1 PLACE	±0.35	RCHEN08				
5		±0.40	±0.015	0 PLACE	±0.40	RCHEN08				
		ANGULAR ± 1°		DRAFT WHERE APPLICABLE MUST REMAIN WITHIN DIMENSIONS		SEE TABLE		MATERIAL NO. DOCUMENT NO.		SHEET NO.
						SD-11112-4430		SD-11112-4430		6 OF 8
<p>THIS DRAWING CONTAINS INFORMATION THAT IS PROPRIETARY TO MOLEX INCORPORATED AND SHOULD NOT BE USED WITHOUT WRITTEN PERMISSION</p>										

