

# MICRO SWITCH

A DIVISION OF MINNEAPOLIS-MONKEYWELL REGULATOR COMPANY  
FREEDPORT, ILLINOIS

# SWITCH - ENCLOSED

2ML1-E1

5

THIS DRAWING COVERS A PROPRIETARY ITEM AND IS THE PROPERTY OF MICRO SWITCH, A DIVISION OF MONKEYWELL. THIS DRAWING IS NOT TO BE COPIED OR USED WITHOUT THE APPROVAL OF MICRO SWITCH.

(M) 2ML1-E1  
ISSUE 3

REPLACES

RELEASE NO.

NUMBER

12

IONS

8520

L. Z. CT. 56

11247

L. B. FEB. 58

112789

B. F. MAY 58

113022

H. F. AUG. 58

24575

B. S. SEP. 68

58367

A. S. NOV. 85

55051-C

A. D. JAN. 86

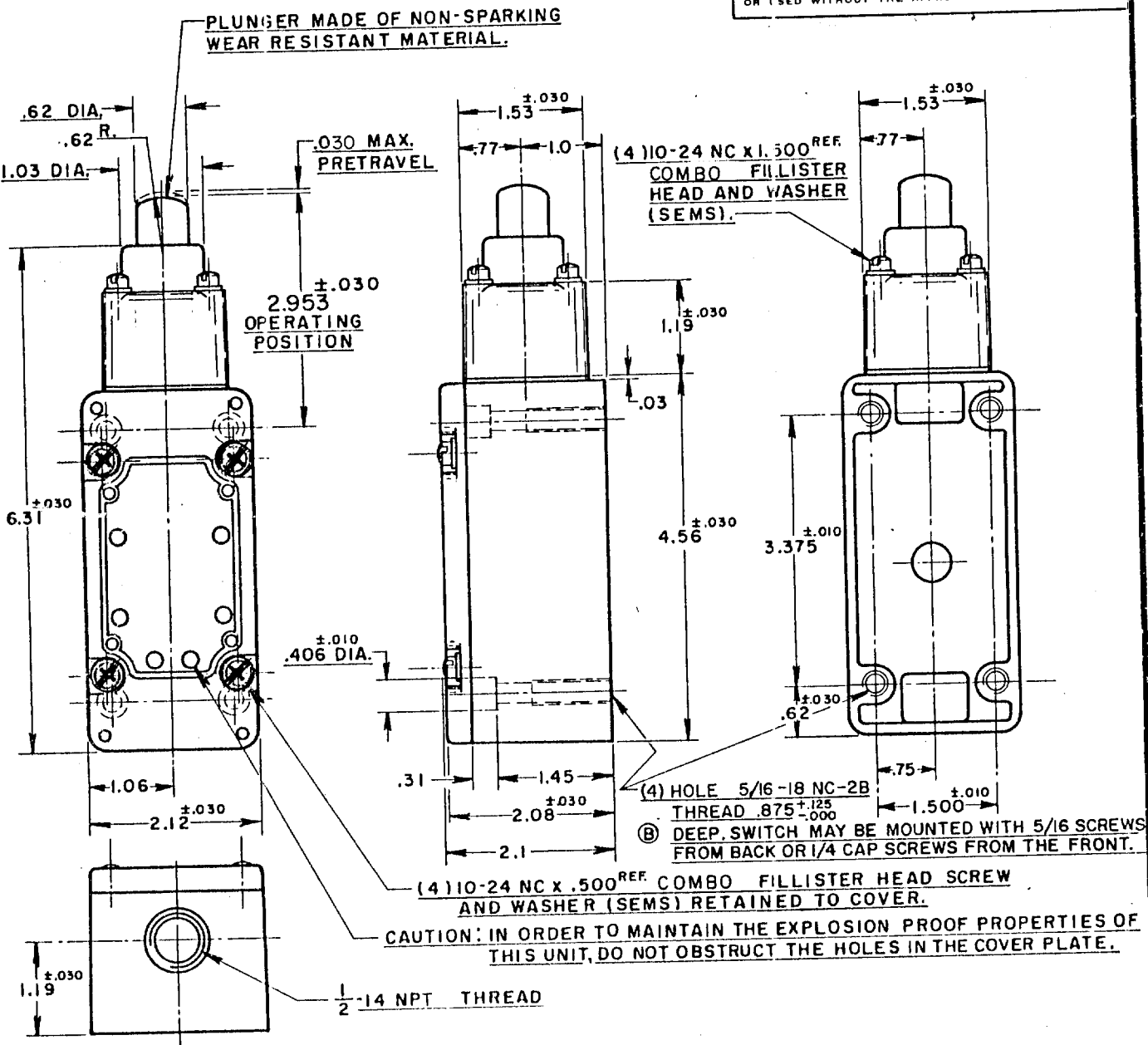
63739

J. S. JUN. 88

74287

J. W. PR. 93

FO-50378



CAUTION: IN ORDER TO MAINTAIN THE EXPLOSION PROOF PROPERTIES OF THIS UNIT, DO NOT OBSTRUCT THE HOLES IN THE COVER PLATE.

**NOTE -**

- IT IS ESSENTIAL THAT THE CONDUIT OPENING BE PROPERLY SEALED IN ORDER TO MAINTAIN THE EXPLOSION PROOF PROPERTIES.
- LISTED BY UNDERWRITERS LABORATORY INC. FOR USE IN CLASS I GROUPS C AND D VAPOR-AIR ATMOSPHERES, AND CLASS 2 GROUPS E, F AND G DUST-AIR ATMOSPHERES.

<b>CHARACTERISTICS (TENTATIVE)</b> OPERATING FORCE — 6 LBS. APPROX.  RELEASE FORCE — 4 LBS. APPROX.  DIFFERENTIAL TRAVEL — .005 MAX. OVERTRAVEL — .500 MIN.  SWITCH-BASIC REPLACEMENT — 1MK1	<b>ELECTRICAL DATA</b> CONTACT ARRANGEMENT S. P. D. T.		SCALE 1/2 TO 1 DO NOT SCALE PRINT
	20A-120, 240 OR 480 VAC; 3/4 H.P.-120 VAC 1 1/2 H.P.-240 VAC; 1/2 A-115 VDC; 1/4 A-230 VDC PILOT DUTY 720VA - HEAVY DUTY 600 VAC MAX		<b>UNLESS OTHERWISE SPECIFIED DIMENSIONS ARE IN INCHES TOLERANCES ARE:</b> ONE PLACE (.0) ±.030 TWO PLACE (.00) ±.015 THREE PLACE (.000) ±.005 ANGLES ±
	(C) (D)		WEIGHT