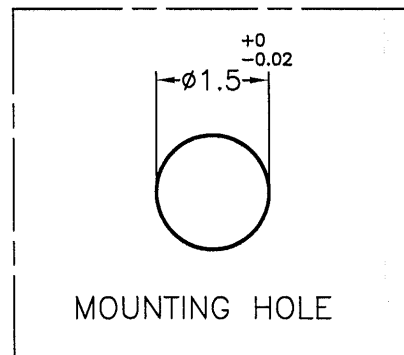


PART NO.	MATERIAL
LEM-133	PC UL94V-2
LEM-133V0	PC UL94V-0

NOTE: MADE OF EQUIVALENT MATERIAL.
均可使用同等材質。



KY 康揚企業股份有限公司
KANG YANG HARDWARE ENTERPRISE CO., LTD.
康揚塑膠(東莞)有限公司
KANG YANG PLASTIC(DONG GUAN)CO.,LTD.
康哲電腦配件(吳江)有限公司
KANG CHE COMPUTER COMPONENTS(WUJIANG)CO.,LTD.

ISO 9001
ISO 14001
QC 080000
IATF 16949

PROPRIETARY AND CONFIDENTIAL THE INFORMATION CONTAINED IN THIS DRAWING IS THE SOLE PROPERTY OF KANG YANG HARDWARE ENTERPRISE CO. ANY REPRODUCTION IN PART OR AS A WHOLE WITHOUT THE WRITTEN PERMISSION OF KANG YANG HARDWARE ENTERPRISE CO. IS PROHIBITED. DO NOT SCALE DRAWING	DATE	2012.04.26	TITLE	LIGHT PIPE	DWG. NO.	LEM-133	PART NO.	SEE ABOVE
	DRAWN	ROBERT	MATERIAL	SEE ABOVE	SIZE	A4	SPEC. DWG	REV
	CHECKED		COLOR	TRANSPARENT	FINISH			B
	APPROVED		UNLESS OTHERWISE SPECIFIED TOLERANCE:	SEE ABOVE	SCALE:	10:1	UNIT	mm