

4

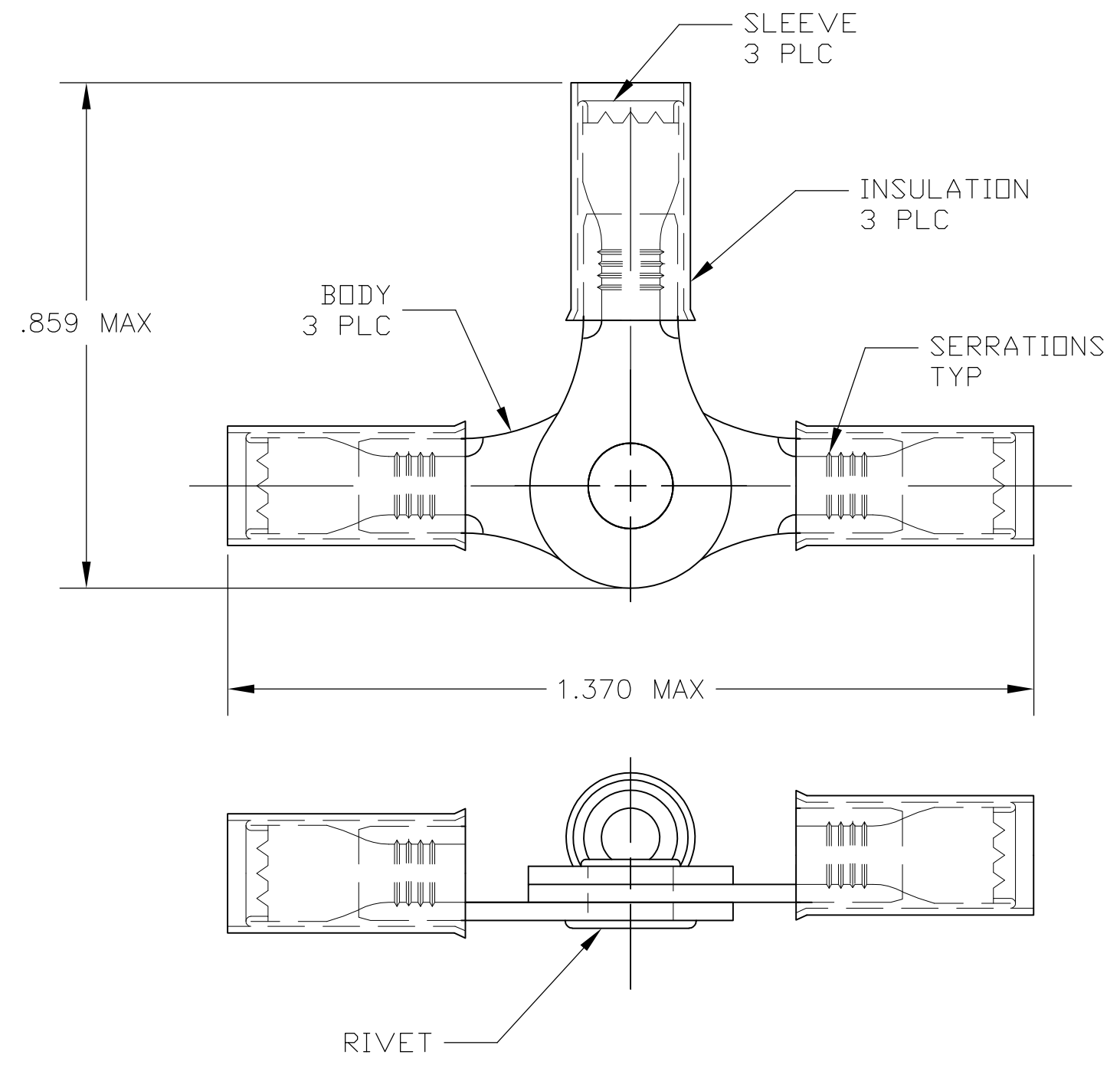
3

2

1

THIS DRAWING IS UNPUBLISHED. RELEASED FOR PUBLICATION
 © COPYRIGHT - BY TYCO ELECTRONICS CORPORATION. ALL INTERNATIONAL RIGHTS RESERVED.

LOC	DIST	REVISIONS					
		P	LTR	DESCRIPTION	DATE	DWN	APVD
G	02		E	REDRAWN PER ECR 09-024066	04FEB10	JR	TM



- 1 TONGUE MATERIAL THK IS .031±.002
- 2 FOR .115-.170 WIRE INSULATION DIA
- △3 BODY & SLEEVE: COPPER PER ASTM B152
TIN PLATE PER ASTM B545, ANNEALED
- INSULATION: NYLON, COLOR - BLUE
- RIVET: BRASS PER ASTM B36
TIN PLATE PER ASTM B545
- △4 SUPERSEDED BY 53222-1

50	LOOSE PIECE, BOX SPECIAL	△4	8-53222-5
10	LOOSE PIECE, BAG	△4	8-53222-4
25	LOOSE PIECE, BOX	△4	8-53222-3
1000	LOOSE PIECE		53222-1
QTY	PACKAGING TYPE		PART NUMBER

THIS DRAWING IS A CONTROLLED DOCUMENT.		DWN jr_ruth 04FEB10	Tyco Electronics Corporation Harrisburg, PA 17105-3608													
DIMENSIONS: INCHES		CHK TOM MICHIELUTTI 04FEB10	NAME TERMINAL, PIDG, NYLON, RING TONGUE, 3 WAY CONNECTOR													
TOLERANCES UNLESS OTHERWISE SPECIFIED:		APVD TOM MICHIELUTTI 04FEB10	PRODUCT SPEC -													
<table border="0"> <tr><td>0 PLC</td><td>± -</td></tr> <tr><td>1 PLC</td><td>± -</td></tr> <tr><td>2 PLC</td><td>± -</td></tr> <tr><td>3 PLC</td><td>± .008</td></tr> <tr><td>4 PLC</td><td>± -</td></tr> <tr><td>ANGLES</td><td>± 5°</td></tr> </table>		0 PLC	± -	1 PLC	± -	2 PLC	± -	3 PLC	± .008	4 PLC	± -	ANGLES	± 5°	APPLICATION SPEC -		SIZE A3
0 PLC	± -															
1 PLC	± -															
2 PLC	± -															
3 PLC	± .008															
4 PLC	± -															
ANGLES	± 5°															
MATERIAL - 3		FINISH - 3		CAGE CODE 00779												
		DRAWING NO G-53222		RESTRICTED TO -												
CUSTOMER DRAWING			SCALE 8:1	SHEET 1 OF 1												
			REV E													