

# Type ANM58 Automotive Blade Fuse Miniature



www.optifuse.com (619) 593-5050

## Specifications:

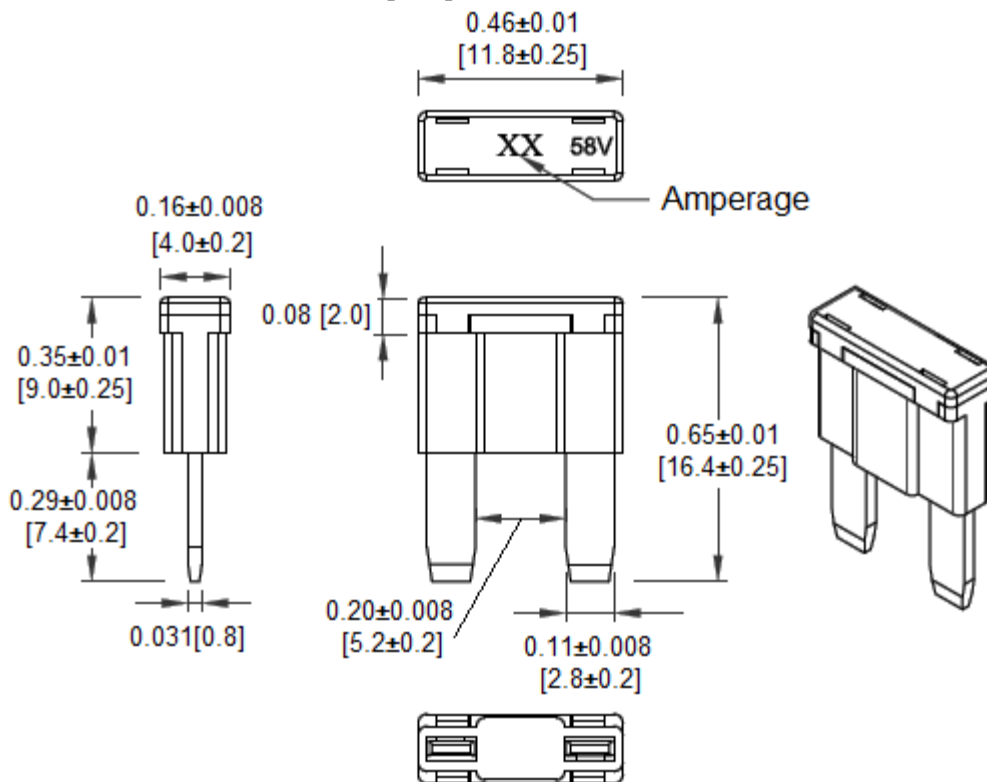
- Voltage: 58VDC
- Amperage: 500mA, 1A, 2A, 3A, 4A, 5A, 7.5A, 10A, 15A, 20A, 25A, 30A
- Body: Nylon with 25% Fiberglass
- Cover: Nylon with 25% Fiberglass, Blue
- Terminals: Copper alloy, Tin plated
- Interrupt Rating – 1000A @ 58 VDC

Part Number	Amperage	Body Color
ANM58-500mA	500mA	Dark Blue
ANM58-1A	1A	Black
ANM58-2A	2A	Gray
ANM58-3A	3A	Violet
ANM58-4A	4A	Pink
ANM58-5A	5A	Tan
ANM58-7.5A	7.5A	Brown
ANM58-10A	10A	Red
ANM58-15A	15A	Blue
ANM58-20A	20A	Yellow
ANM58-25A	25A	Clear
ANM58-30A	30A	Green

## Time Characteristics:

% of Rated Current	Min Hold Time	Max Hold Time
110%	100h	~
135%	750ms	1800s
200%	150ms	30s
350%	40ms	500ms
600%	20ms	100ms

## Mechanical Dimensions: Inches [mm]



## Warning:



-Operation beyond the specified maximum ratings or improper use may result in damage and possible electrical arcing and/or flame.

-Avoid contact of device with chemical solvent. Prolonged contact will damage the device performance.