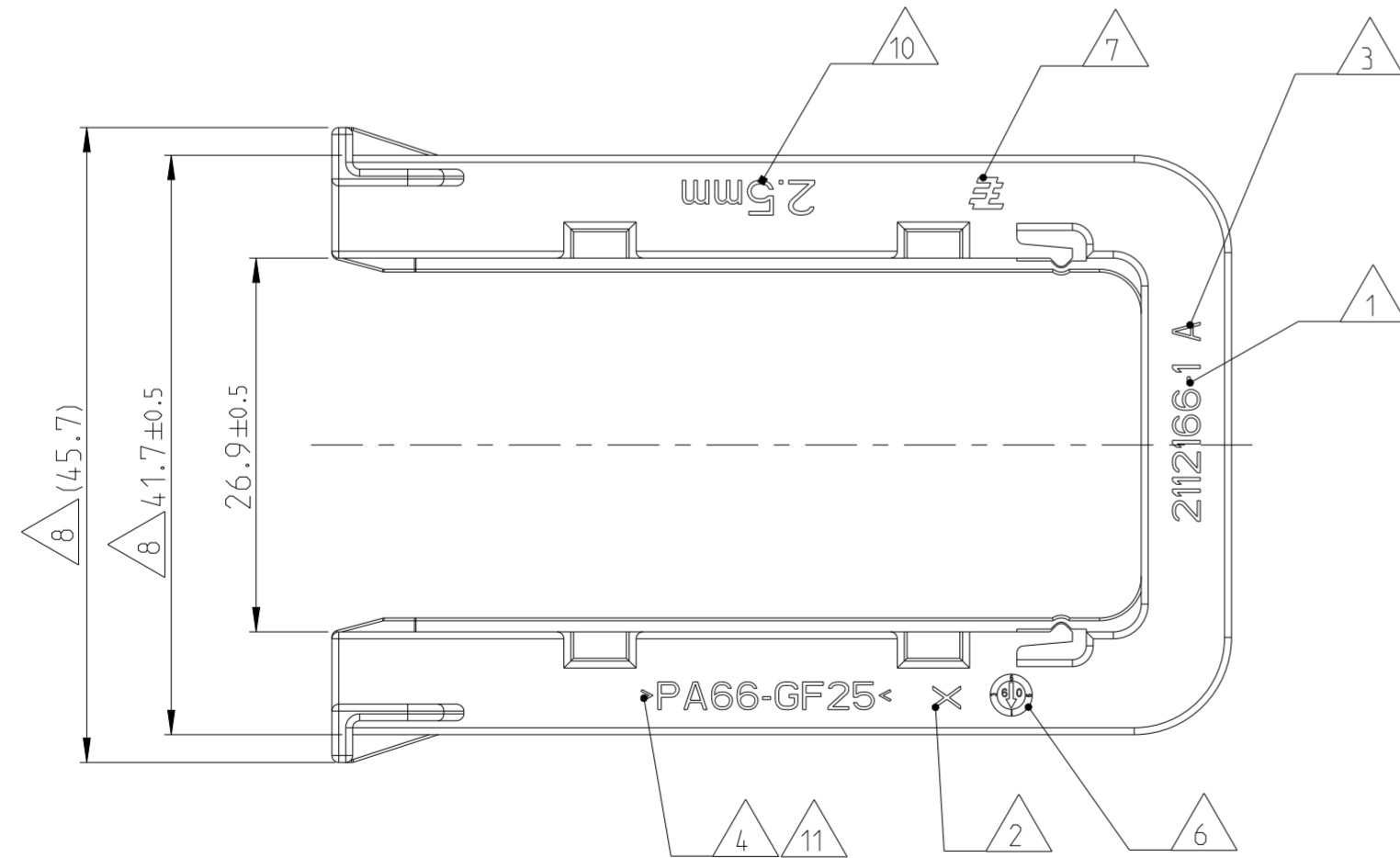
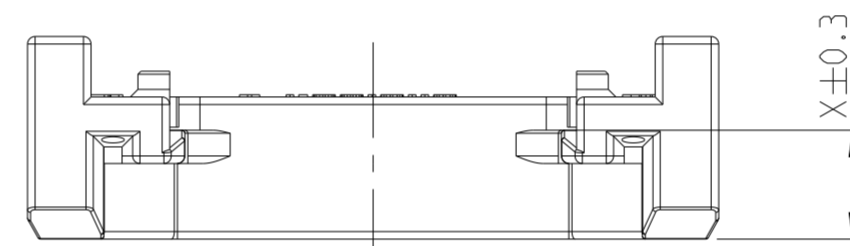
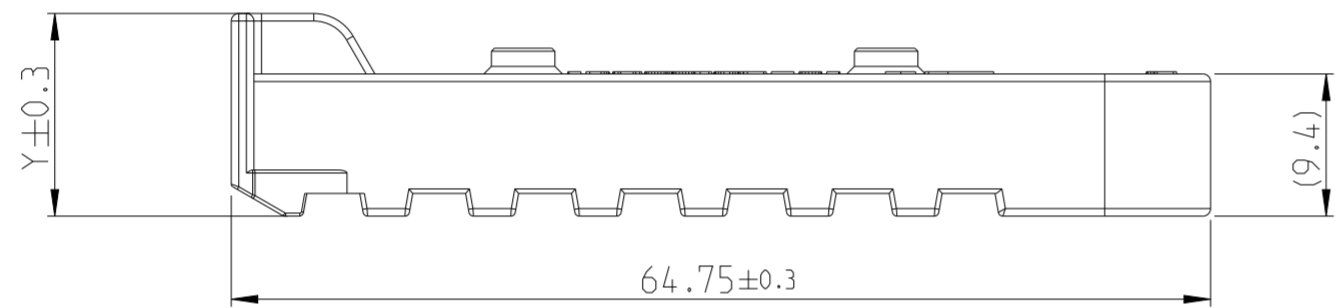
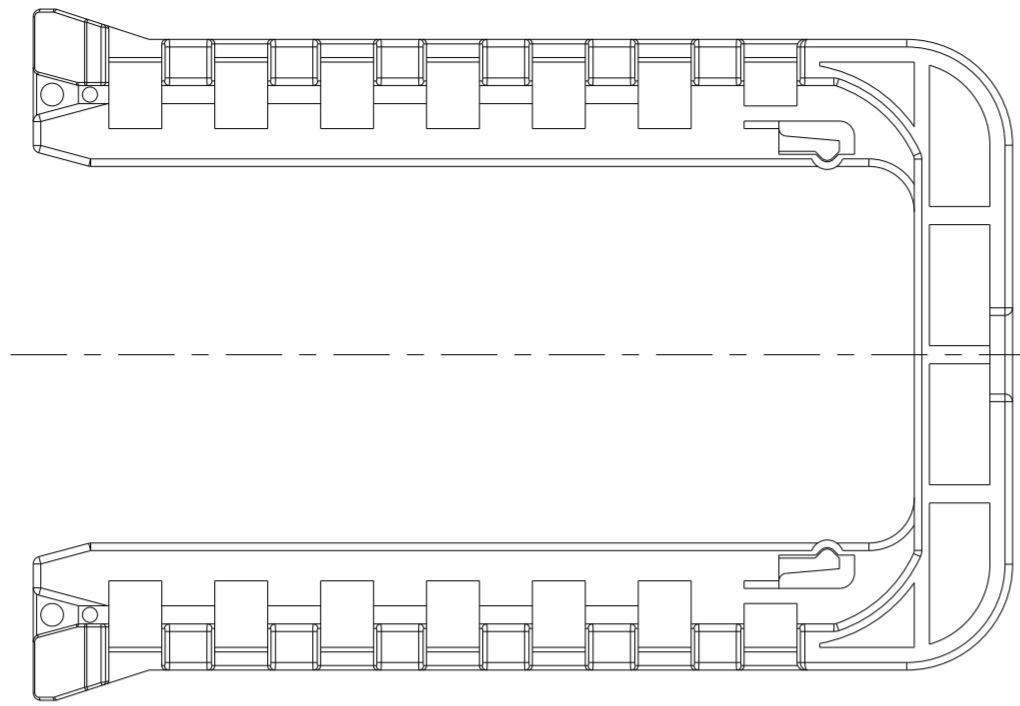


| REVISIONS | | | | | |
|-----------|-----|---|-----------|-----|------|
| P | LTR | DESCRIPTION | DATE | DWN | APVD |
| A | | NEW DRAWING CREATED | 17SEP2009 | NP | Ch E |
| A1 | | NEW VARIANTS ADDED SEE PCN: E-10-020858 | 08OCT2010 | NP | Ch E |
| A2 | | PCN-21-121785 | 29NOV2021 | DRK | AW |
| A3 | | PCN-22-135845 | 12APR2022 | OB | AW |

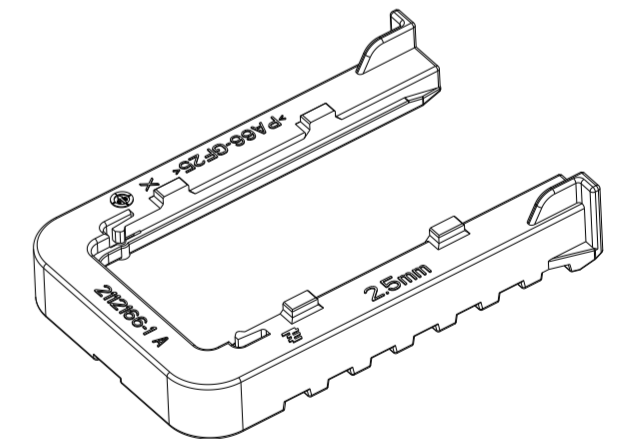
0-2112166-1 AS SHOWN
1-2112166-1 wie gezeigt



NOTES

Bemerkungen

- 1 TE ORDER-NO.
TE Bestell-Nr.
- 2 PRODUCTION DATE
Produktionsdatum
- 3 LETTER-INSERT FOR THE REVISION STATUS OF THE MOULD
Schriftsatz fuer Aenderungszustand des Werkzeuges
- 4 MATERIAL MARKING ACCORDING TO VDA 260
Werkstoffkennzeichnung nach VDA 260
- 5 BULK PACKAGING IN CORRUGATED BOX
Schuettgut im Versandkarton
- 6 MOULD CAVITY MARKING
Nestmarkierung
- 7 TE LOGO
TE Logo
- 8 WARPAGE PERMITTED UP TO -2mm FROM NOMINAL SIZE
Verzug zulaessig bis -2mm vom Nennmass
- 9 SUITABLE FOR TAB HOUSING WITH FLANGE
Passend zu Flachsteckergehaeusen mit Flansch
siehe 2112162
- 10 MARKING FOR SUITABLE SHEET METAL THICKNESS (NOMINAL SIZE)
Kennzeichnung fuer passende Blechstaecke (Nennmass)



1:1

| TE ORDER-NO. TE Bestell-Nr. | REV. | SHEET METAL THICKNESS Blechdicke | DIM X | DIM Y | MAT. | COLOUR Farbe | DESCRIPTION Beschreibung | ITEM |
|--------------------------------|------|-------------------------------------|----------|----------|------------------|-----------------|--|------|
| - | - | - | - | - | - | - | SLIDE, FOR 1.5mm SHEET METAL Schieber, fuer Blech 1.5mm Dicke | 5 |
| - | - | - | - | - | - | - | SLIDE, FOR 1mm SHEET METAL Schieber, fuer Blech 1mm Dicke | 4 |
| 2112166-3 | A | 3.5 ± 0.1mm | 6.2 | 12.4 | 11 PA66-GF25/V-0 | GREY grau | SLIDE, FOR 3.5mm SHEET METAL Schieber, fuer Blech 3.5mm Dicke | 3 |
| 2112166-2 | A | 3 ± 0.1mm | 6.7 | 12.9 | 11 PA66-GF25/V-0 | YELLOW gelb | SLIDE, FOR 3mm SHEET METAL Schieber, fuer Blech 3mm Dicke | 2 |
| 2112166-1 | A | 2.5 ± 0.1mm | 7.2 | 13.4 | 11 PA66-GF25/V-0 | RED rot | SLIDE, FOR 2.5mm SHEET METAL Schieber, fuer Blech 2.5mm Dicke | 1 |

THIS DRAWING IS A CONTROLLED DOCUMENT.

| | |
|-------------------------------------|--|
| DIMENSIONS: mm | TOLERANCES UNLESS OTHERWISE SPECIFIED: ACC. TO DIN ISO 8015 ACC. TO DIN 16901-140 |
| MATERIAL SEE TABLE material_2 | FINISH SEE TABLE finish_spec_2 |

| | | |
|----------------------------------|-------------------------------|-----------------------------------|
| DWN N. Pfaffmann 17SEP2009 | CHK F. Eltrop 18SEP2009 | APVD Ch. Eberwein 19SEP2009 |
| APPLICATION SPEC 114-18376 | | |
| WEIGHT 7.9g | | |
| CUSTOMER DRAWING | | |

| | | | |
|---|--------------------|-------------------------|--------------------|
| | | | |
| NAME SLIDE, FOR 21POS. Schieber, fuer 21pol. Flachsteckergehaeuse | | | |
| SIZE A2 | CAGE CODE 00779 | DRAWING NO C-2112166 | RESTRICTED TO - |
| SCALE 2:1 | | SHEET 1 OF 1 | REV A3 |