

DC Voltage Transducer

DIN RAIL / PANEL MOUNT, RMS



Single Element
0.1 - 600 VDC Input Range

If you need a relay output, use a **CR3395**.
See Section for Details.

The **CR5300** Series, DC Voltage Transducers and Transmitters, are designed to provide an output DC signal that is proportional to the input DC voltage. These devices are especially suited for applications with a current shunt to monitor DC current.

Applications

Power Supply over/under sensing
Battery chargers and systems
Mobile applications
Power sensing

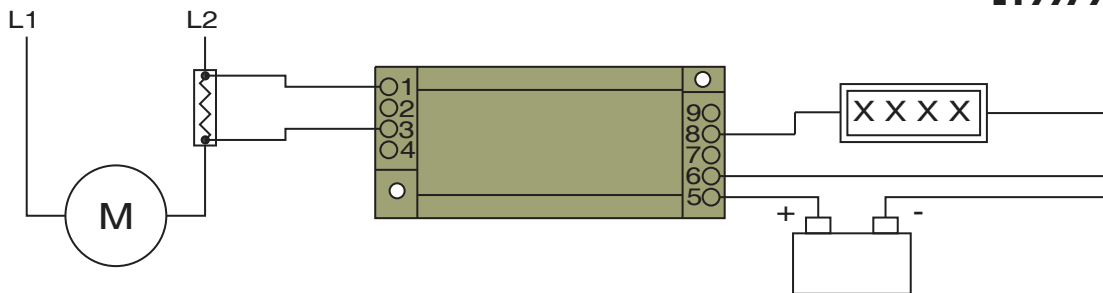
Features

Output isolated from input
Available with 0-5 VDC, 0-10 VDC or 4 - 20 mADC outputs
35mm DIN rail or panel mount
Connection diagram printed on case

Regulatory Agencies

Recognized to meet UL 61010B-1
Constructed to meet CAN/CSA-C22.2, No. 61010-1-2004
Meets requirement of IEC 61010-1 and BS EN 61010-1

CR5310 with Resistor Application is shown below (optional).



PART NUMBERS

CR5310	-		Single Element with ± 5 VDC output
CR5311	-		Single Element with ± 10 VDC output
CR5320	-		Single Element with 4 - 20 mADC output

NOTE: CR5300 Series is available with 12V Power Supply. Use same application as 24V Power Supply.
Example Part Number: CR5310-300-12V

Add suffix for input range

- 1** - 0-1 VDC
- 5** - 0-5 VDC
- 10** - 0-10 VDC
- 50** - 0-50 VDC
- 150** - 0-150 VDC
- 200** - 0-200 VDC

Ranges available up to and including 1,000 VDC

* **UL Recognized up to 300 Vdc**

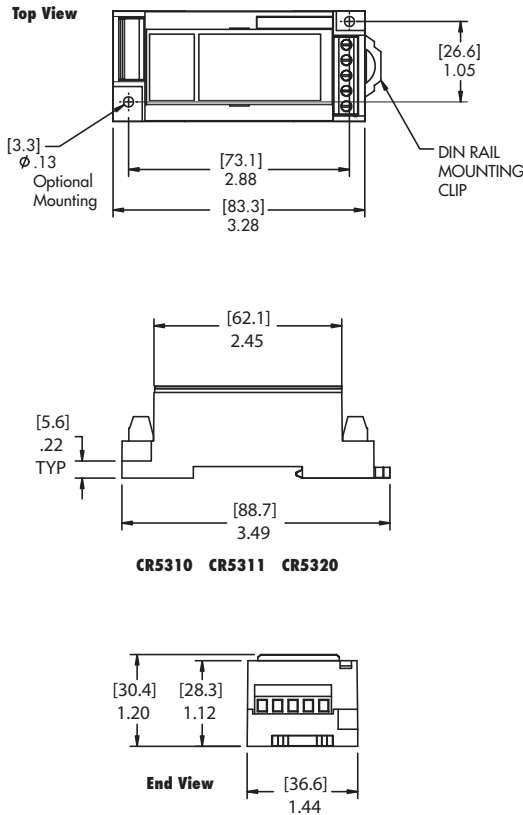
Transducers

DC Voltage Transducer

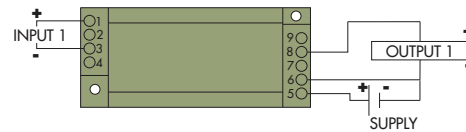
DIN RAIL / PANEL MOUNT, RMS

SPECIFICATIONS

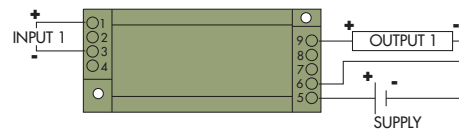
Basic Accuracy:.....	1.0 %	Supply Voltage:.....	24 VDC ±10%
Linearity:.....	10% to 100% FS	Frequency Range:.....	DC only
Thermal Drift:.....	500 PPM/°C	Output Load:.....	4-20 mADC - 0 to 300 Ω
Operating Temperature:.....	0°C to +50°C		0-5 VDC - 2K Ω or Greater
Installation Category:.....	CAT II	Relative Humidity:.....	5% to 95%, Non-Condensing
Isolation Voltage:.....	2500KVRMS/1mA/1Sec	Supply Current:	
Vibration Tested To:.....	IEC 60068-2-6,1995	CR5310:.....	Typical 35mA Max 40mA
Pollution Degree:.....	2	CR5320:.....	Typical 35mA Max 40mA
Altitude:.....	2000 meter max.	Torque Specs.:.....	3.0 inch lbs. (0.4Nm)
Response Time:	250 ms. max.	Weight:.....	0.5 lbs.
Insulation Voltage:.....	2500 VDC		
Cleaning:.....	Water-dampened cloth		



OUTLINE DRAWING



CR5310 5 VDC Output
CR5311 10 VDC Output



CR5320 4 - 20 mADC Output

CONNECTION DIAGRAM

NOTE: The building installation must have a switch or circuit-breaker that is in close proximity and within easy reach of the operator. The switch or circuit breaker shall be marked as the disconnecting device for the equipment.