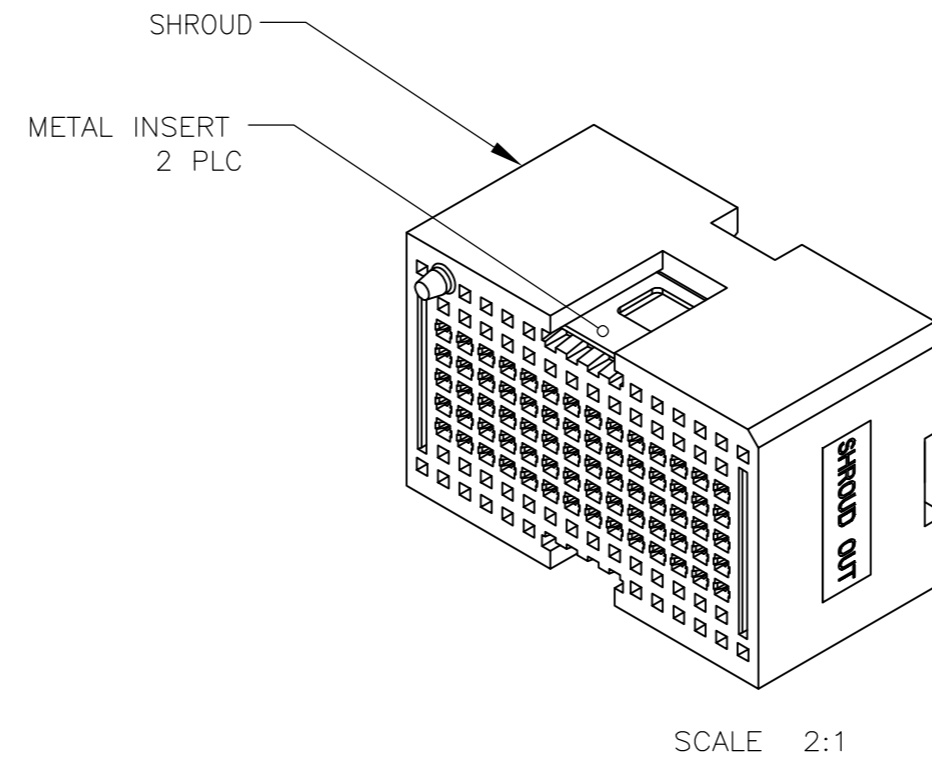
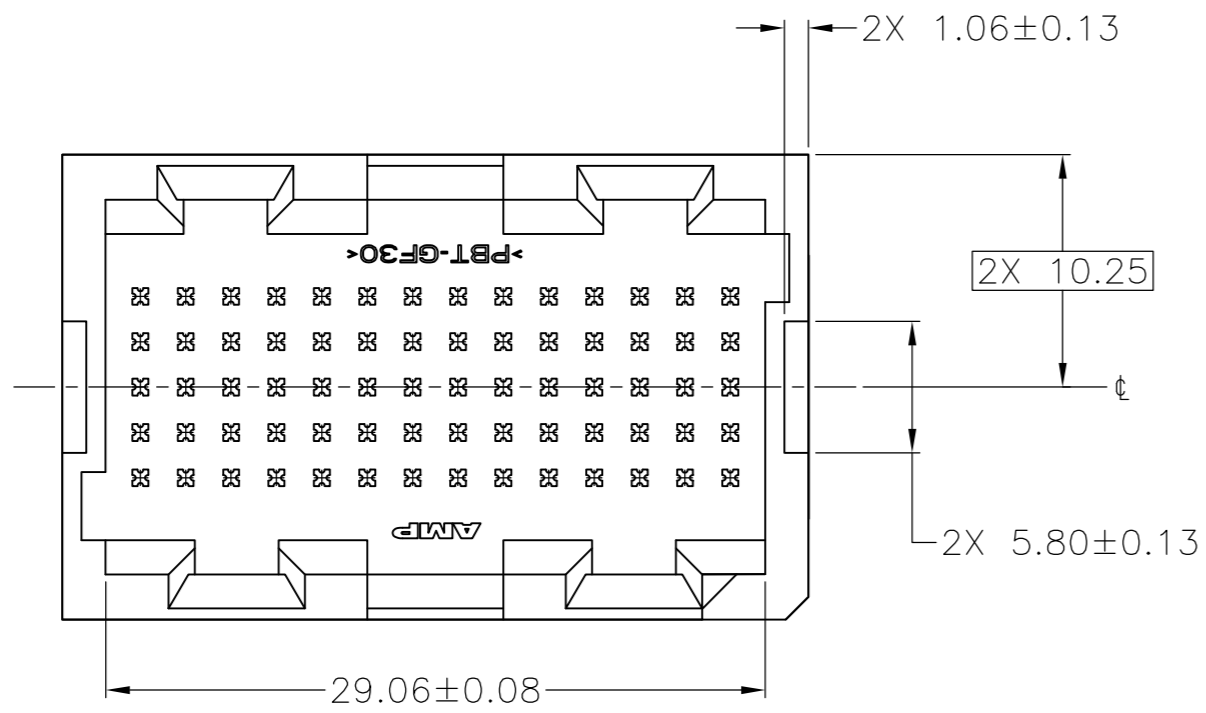
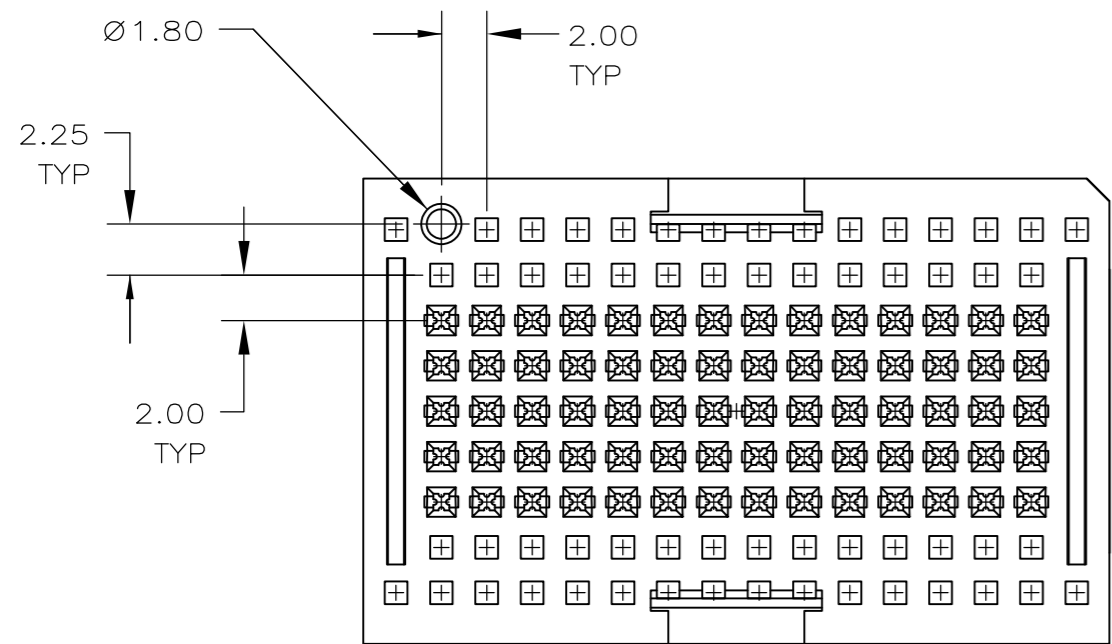
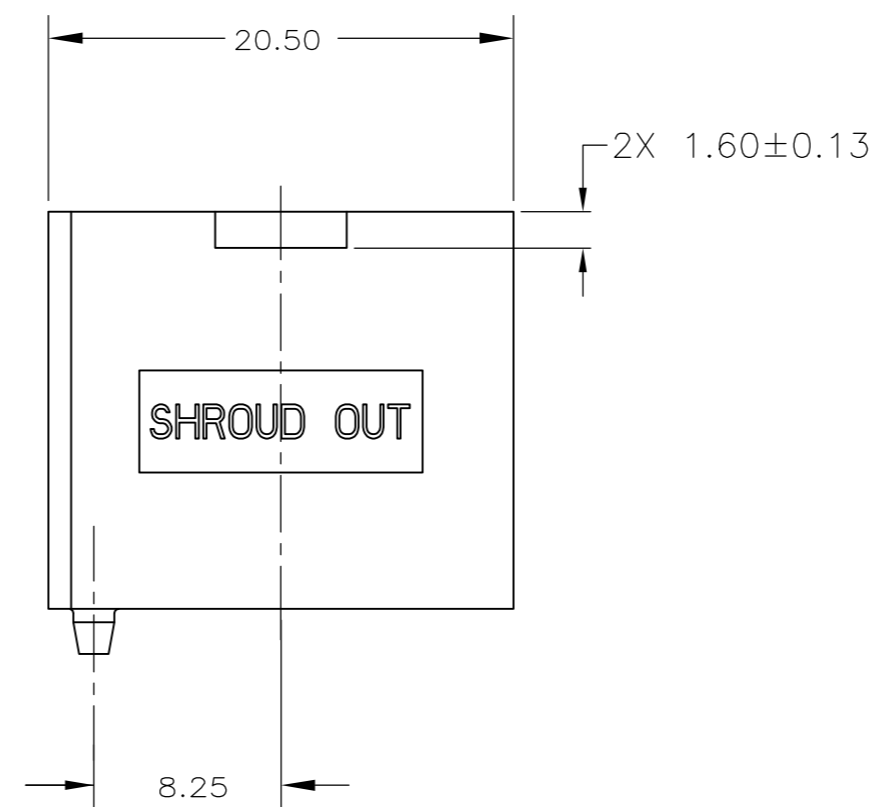
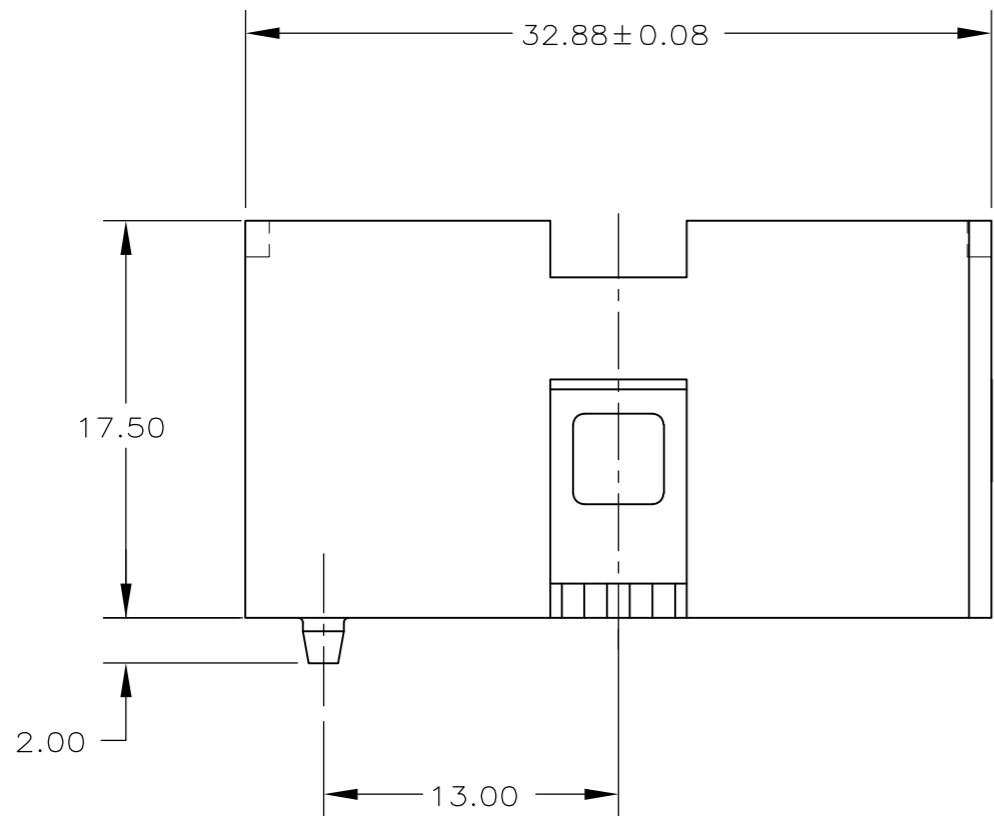


THIS DRAWING IS UNPUBLISHED. RELEASED FOR PUBLICATION
 © COPYRIGHT 19 BY TYCO ELECTRONICS CORPORATION. ALL RIGHTS RESERVED.

LOC	DIST	REVISIONS					
		P	LTR	DESCRIPTION	DATE	DWN	APVD
AD	00		A	REV PER ECO-07-002644	05FEB2007	BC	GG
			B	ECR-10-019054	15SEP10	DP	MQW



- 1 SHROUD: POLYESTER, BLACK.
METAL INSERTS: STAINLESS STEEL.
- 2 RECOMENDED INSERTION TOOL P/N 91330-1,
I.S. SHEET 408-4578.



1645283-1
PART NUMBER

THIS DRAWING IS A CONTROLLED DOCUMENT.		DWN B. MCMASTER 09NOV04	Tyco Electronics Corporation Harrisburg, Pa 17105-3608	
DIMENSIONS: mm		CHK G. SKIPPER 09NOV04		
TOLERANCES UNLESS OTHERWISE SPECIFIED:		APVD G. SKIPPER 09NOV04	NAME SHROUD ASSEMBLY, OUT, 70 POSITION, 5 ROW, Z-PACK, 2mm HM MLCC	
0-PLC ± 1-PLC ± 2-PLC ± 0.13 ±0.2 3-PLC ± 4-PLC ± ANGLES ±		PRODUCT SPEC -	SIZE A2	
MATERIAL		APPLICATION SPEC -	CAGE CODE 00779	DRAWING NO C=1645283
FINISH -		WEIGHT -	RESTRICTED TO -	SCALE 3:1
CUSTOMER DRAWING			SHEET 1 OF 1	REV B