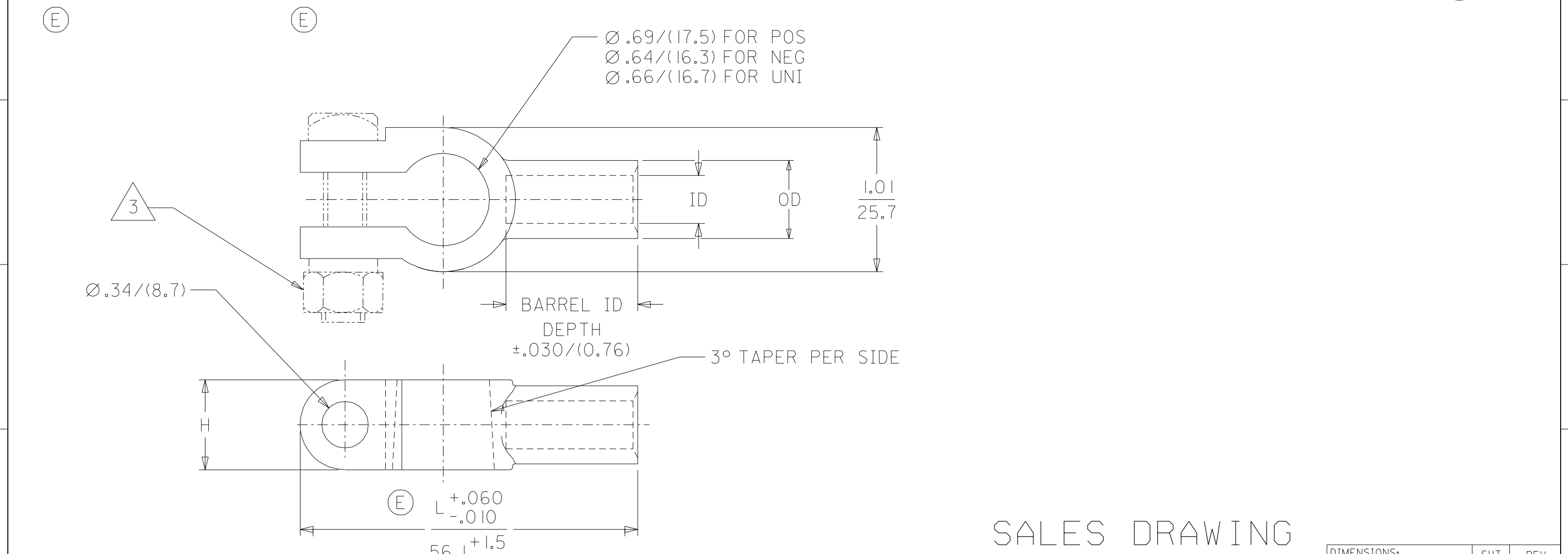


10	9	8	7	6	5	4	3	2	1			
MATERIAL NUMBER NEGATIVE	ENGINEERING NUMBER NEGATIVE	MATERIAL NUMBER POSITIVE	ENGINEERING NUMBER POSITIVE	MATERIAL NUMBER UNIVERSAL	ENGINEERING NUMBER UNIVERSAL	WIRE GAUGE	COLOR CRIMP	BARREL ID	BARREL OD	BARREL ID DEPTH	H	L
---	---	---	---	192180108	SBT6U	6	GRY	.22/(5.6)	.45/(11.4)	.97/(24.6)	.53/(13.5)	2.38/(60.5)
192180102	SBT4N	192180104	SBT4P	192180106	SBT4U	4	GRY	.26/(6.6)	.45/(11.4)	.97/(24.6)	.53/(13.5)	2.38/(60.5)
192180096	SBT1N	192180098	SBT1P	192180100	19218-0100	2	GRN	.34/(8.6)	.55/(14.0)	.94/(23.9)	.65/(16.5)	2.37/(60.2)
192180231	3001-055N	192180232	3001-055P	192180233	SBT40NMI	1	PINK	.39/(9.9)	.55/(14.0)	.94/(23.9)	.65/(16.5)	2.37/(60.2)
192180110	SBT10N	192180112	SBT10P	---	---	1/0	BLK	.47/(11.9)	.65/(16.5)	.94/(23.9)	.65/(16.5)	2.40/(61.0)
192180114	SBT20N	192180116	SBT20P	---	---	2/0	ORG	.50/(12.8)	.65/(16.5)	.94/(23.9)	.65/(16.5)	2.40/(61.0)
192180118	SBT30N	192180120	SBT30P	---	---	3/0	PUR	.53/(13.5)	.65/(16.5)	.94/(23.9)	.65/(16.5)	2.40/(61.0)
192180122	SBT40N	192180124	SBT40P	---	---	4/0	YEL	.62/(17.7)	.83/(21.1)	.94/(23.9)	.71/(18.0)	2.38/(60.5)



# SALES DRAWING

- NOTES:
1. MATERIAL: I31 COPPER.
  2. FINISH: TIN PLATED.
  3. INCLUDES 5/16 BOLT & SHOULDER NUT.

DIM CHG/VENDOR EC NO. ETC2003-0166 DRWN: BRE 03/01/03 CHK: HEB 03/01/03 APPR: RWD 03/01/03	QUALITY SYMBOLS MAJOR $\blacktriangledown = 0$ CRITICAL $\blacktriangle = 0$	GENERAL TOLERANCES: (UNLESS SPECIFIED)	SCALE NO: NE DESIGN UNITS <input type="checkbox"/> mm <input checked="" type="checkbox"/> INCH	THIRD ANGLE PROJECTION	DIMENSIONS: <input type="checkbox"/> mm <input checked="" type="checkbox"/> INCH <input type="checkbox"/> mm ONLY	SHT REV
	DRAWN BY & DATE DAY 98/12/14	CHECKED BY & DATE RWD 98/12/14	APPROVED BY & DATE RWD 98/12/14	TITLE: STANDARD BATTERY TERMINAL TOP POST	MOLEX INCORPORATED	SHEET NO. 1 OF 1
	ANGULAR: $\pm 1/2^\circ$	CAD FILENAME SD-19218-001.DGN	MATERIAL NO. SEE CHART	DRAWING NO. SD-19218-001	THIS DRAWING CONTAINS INFORMATION THAT IS PROPRIETARY TO MOLEX INCORPORATED AND SHOULD NOT BE USED WITHOUT WRITTEN PERMISSION.	SIZE B
	DRAFT WHERE APPLICABLE MUST REMAIN WITHIN DIMENSIONS	THIS DRAWING CONTAINS INFORMATION THAT IS PROPRIETARY TO MOLEX INCORPORATED AND SHOULD NOT BE USED WITHOUT WRITTEN PERMISSION.				