

368388-1 ✓ ACTIVE

MQS

TE Internal #: 368388-1

Automotive Connector Locks & Position Assurance, TPA (Terminal Position Assurance), Yellow, PBT GF, -40 – 140 °C [-40 – 284 °F],

MQS

[View on TE.com >](#)



Connectors > Automotive Connectors > Automotive Connector Accessories > Automotive Connector Locks & Position Assurance



Connector & Contact Retention Accessory Type: **TPA (Terminal Position Assurance)**

Primary Product Color: **Yellow**

Primary Product Material: **PBT GF**

Operating Temperature Range: **-40 – 140 °C [-40 – 284 °F]**

Features

Product Type Features

| | |
|--|-----------------------------------|
| Connector & Contact Retention Accessory Type | TPA (Terminal Position Assurance) |
|--|-----------------------------------|

Body Features

| | |
|--------------------------|--------|
| Primary Product Color | Yellow |
| Primary Product Material | PBT GF |

Usage Conditions

| | |
|-----------------------------|----------------------------|
| Operating Temperature Range | -40 – 140 °C[-40 – 284 °F] |
|-----------------------------|----------------------------|

Industry Standards

| | |
|------------------------|---------|
| UL Flammability Rating | UL 94HB |
|------------------------|---------|

Packaging Features

| | |
|------------------|-----|
| Packaging Method | Bag |
|------------------|-----|

Other

| | |
|-------------|-----|
| Serviceable | Yes |
|-------------|-----|

Product Compliance

[For compliance documentation, visit the product page on TE.com>](#)

| | |
|---|---|
| EU RoHS Directive 2011/65/EU | Compliant |
| EU ELV Directive 2000/53/EC | Compliant |
| China RoHS 2 Directive MIIT Order No 32, 2016 | No Restricted Materials Above Threshold |

EU REACH Regulation (EC) No. 1907/2006

Current ECHA Candidate List: JUNE 2023 (235)

Candidate List Declared Against: JAN 2023 (233)

Does not contain REACH SVHC

Halogen Content

Low Halogen - Br, Cl, F, I < 900 ppm per homogenous material. Also BFR/CFR/PVC Free

Solder Process Capability

Not applicable for solder process capability

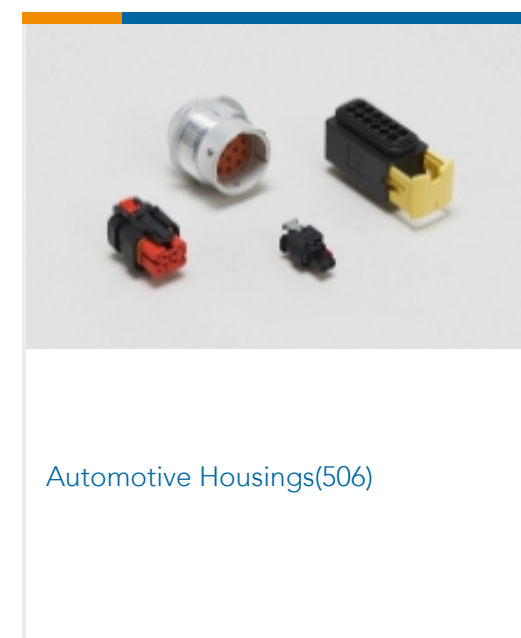
Product Compliance Disclaimer

This information is provided based on reasonable inquiry of our suppliers and represents our current actual knowledge based on the information they provided. This information is subject to change. The part numbers that TE has identified as EU RoHS compliant have a maximum concentration of 0.1% by weight in homogenous materials for lead, hexavalent chromium, mercury, PBB, PBDE, DBP, BBP, DEHP, DIBP, and 0.01% for cadmium, or qualify for an exemption to these limits as defined in the Annexes of Directive 2011/65/EU (RoHS2). Finished electrical and electronic equipment products will be CE marked as required by Directive 2011/65/EU. Components may not be CE marked. Additionally, the part numbers that TE has identified as EU ELV compliant have a maximum concentration of 0.1% by weight in homogenous materials for lead, hexavalent chromium, and mercury, and 0.01% for cadmium, or qualify for an exemption to these limits as defined in the Annexes of Directive 2000/53/EC (ELV). Regarding the REACH Regulation, the information TE provides on SVHC in articles for this part number is based on the latest European Chemicals Agency (ECHA) 'Guidance on requirements for substances in articles' posted at this URL: <https://echa.europa.eu/guidance-documents/guidance-on-reach>

Compatible Parts



Also in the Series | MQS





Automotive Seals & Cavity Plugs(27)



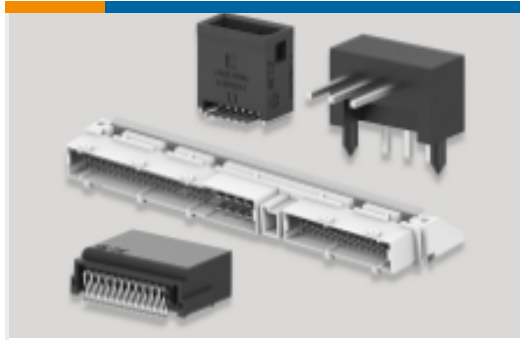
Automotive Terminals(104)



Insertion & Extraction Tools(42)



Other Automotive Connector Accessories(14)



PCB Headers & Receptacles(214)

Customers Also Bought



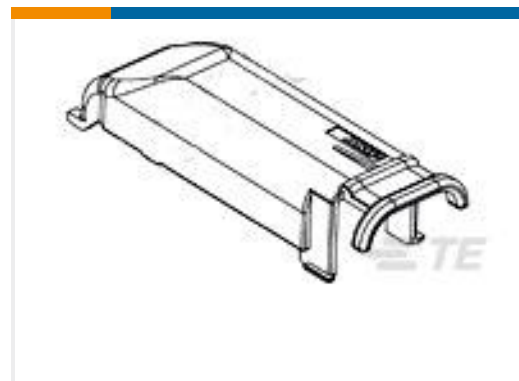
TE Part #368376-1
MQS, CONNECTOR HOUSING



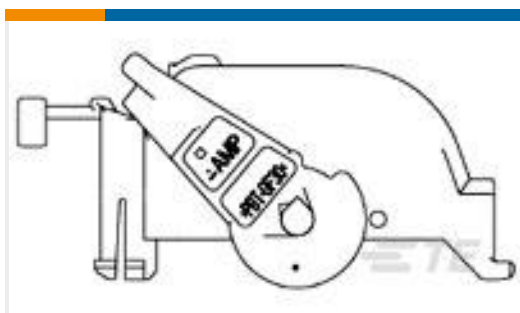
TE Part #964282-2
JPT A REC 2.8 Contact SWS Sn



TE Part #5-968221-1
MQS, RECEPTACLE AND TAB



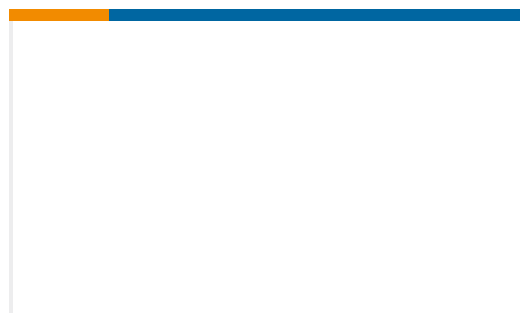
TE Part #368389-1
COVER HSG FOR 81P(SIEMENS)



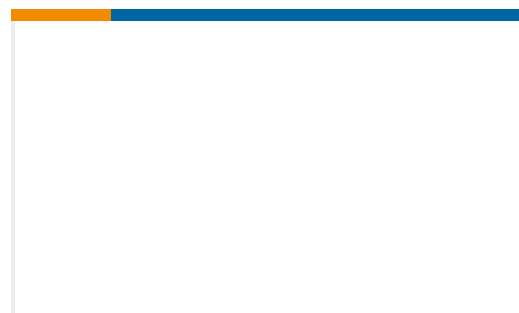
TE Part #1473255-2
LEVER ASSY TYPE-A NO SLIT TYPE
40POS



TE Part #CJ0772-000
PD-CAP-1/4-0-35MM



TE Part #368401-1
COVER HSG FOR 40P(SIEMENS)



TE Part #2-2361158-1
SDM,54P PLUG ASY,RHL,KEY B

Documents

Product Drawings

[MQS RETAINER HSG FOR 40P](#)

English

CAD Files

Customer View Model

[ENG_CVM_368388-1_O.3d_igs.zip](#)

English

Customer View Model



[ENG_CVM_368388-1_O.3d_stp.zip](#)

English

Customer View Model

[ENG_CVM_368388-1_O.2d_dxf.zip](#)

English

3D PDF

English

By downloading the CAD file I accept and agree to the [Terms and Conditions](#) of use.

Product Specifications

Product Specification

Japanese

MQS CLEAN BODY PLUG ASSY 81P & 40P

Japanese

MQS CLEAN BODY PLUG ASSY 81P & 40P

Japanese

Product Specification

English

Instruction Sheets

Instruction Sheet (non U.S.)

English

Instruction Sheet (non U.S.)

Japanese