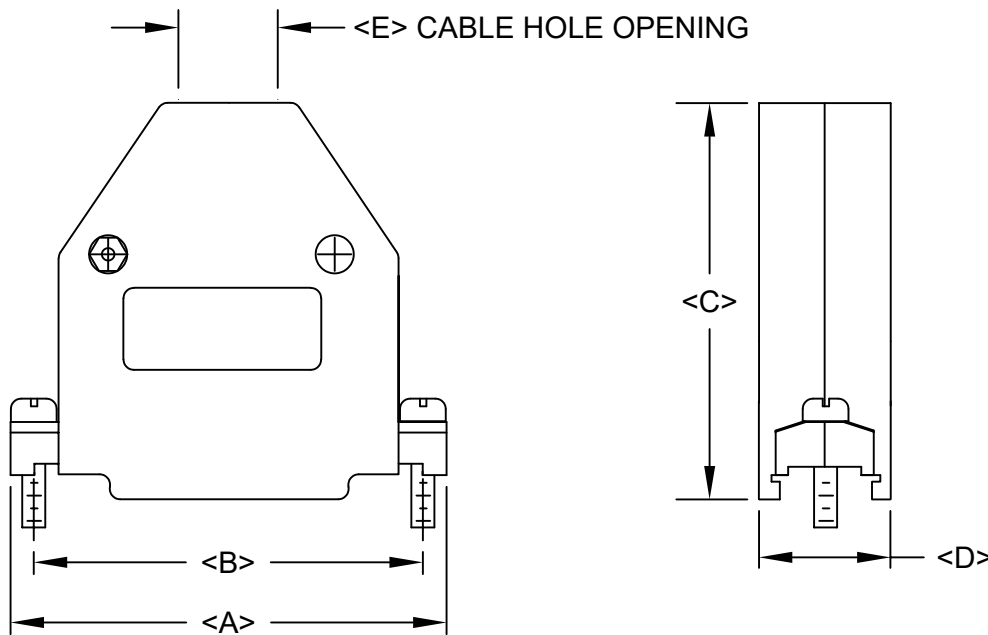


DESCRIPTION: 979 SERIES D-SUB BACKSHELL - METALIZED PLASTIC

DIMENSIONS (mm)

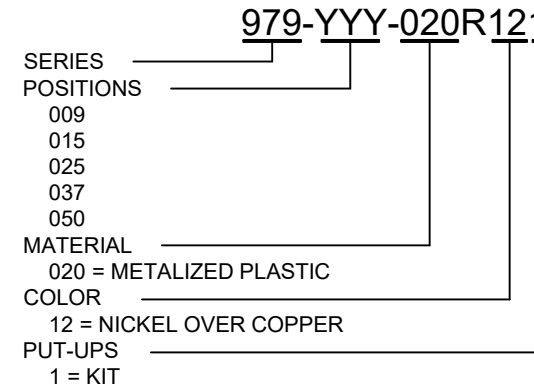
SIZE	A ^{±0.3}	B ^{±0.3}	C ^{±0.3}	D ^{±0.3}	E ^{±0.3}
9	31.20	24.99	47.90	16.60	10.20
15	39.30	33.30	48.20	16.60	10.20
25	53.50	47.10	44.80	17.30	13.00
37	69.80	63.49	48.50	16.60	13.00
50	67.60	61.00	48.50	19.30	13.00



BACK SHELL KIT INCLUDES:

- 2 - BACK SHELL HALVES
- 2 - MATING SCREWS (#4-40, RECOMMENDED TORQUE 60 in-oz)
- 2 - SADDLE WASHERS
- 2 - HOUSING SCREWS (#4-40, RECOMMENDED TORQUE 5.2 in-lbs)
- 2 - HOUSING NUTS (#4-40, RECOMMENDED TORQUE 5.2 in-lbs)
- 1 - GROMMET TREE - SEE PAGE 2 (NON-CONDUCTIVE GROMMETS)

BACKSHELL MATERIAL: NICKEL PLATED ABS PLASTIC, UL 94HB
 HARDWARE MATERIAL: NICKEL PLATED STEEL
 GROMMET MATERIAL: TPR
 OPERATING TEMPERATURE: 0°C TO +80°C



RoHS COMPLIANT

UNITS = mm

DO NOT SCALE FROM DRAWING



THESE DRAWINGS AND SPECIFICATIONS ARE THE PROPERTY OF NorComp AND SHALL NOT BE REPRODUCED, COPIED OR USED AS THE BASIS FOR THE MANUFACTURE OR SALE OF APPARATUS WITHOUT WRITTEN PERMISSION.

DRAWN:
P. JENKINS

DATE:
07/28/2005

NorComp

SCALE:
NTS

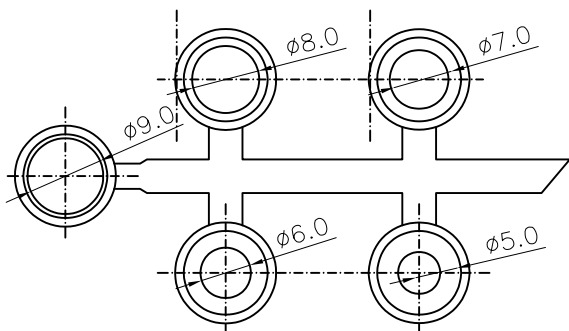
SHEET 1 OF 2

REV 8

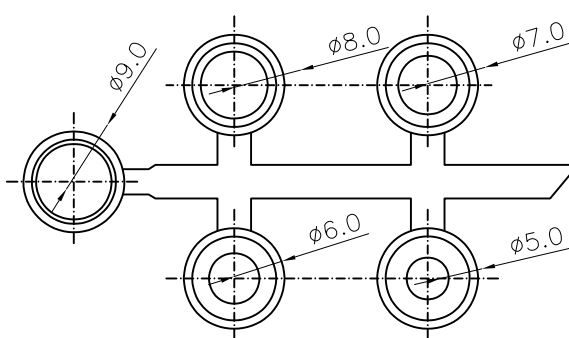
DWG NO.

979-YYY-020R121

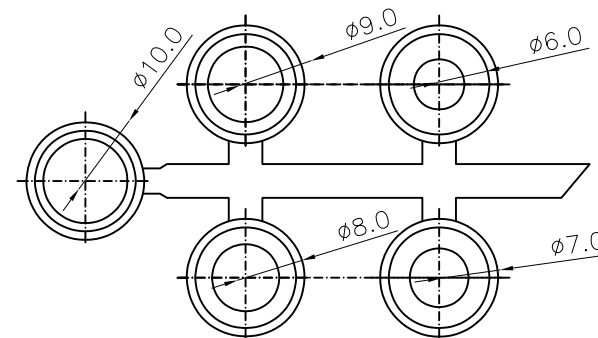
9P GROMMET TREE



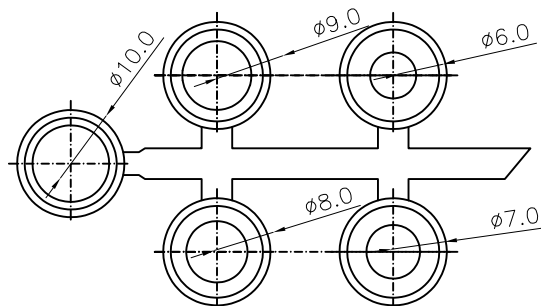
15P GROMMET TREE



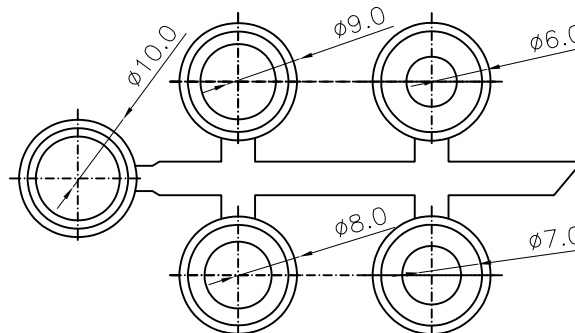
25P GROMMET TREE



37P GROMMET TREE



50P GROMMET TREE



RoHS COMPLIANT

UNITS = mm

DO NOT SCALE FROM DRAWING



THESE DRAWINGS AND SPECIFICATIONS ARE THE PROPERTY OF NorComp AND SHALL NOT BE REPRODUCED, COPIED OR USED AS THE BASIS FOR THE MANUFACTURE OR SALE OF APPARATUS WITHOUT WRITTEN PERMISSION.

DRAWN:
P. JENKINS

DATE:
07/28/2005

NorComp

SCALE:
NTS

SHEET OF
2 2

REV
8

DWG NO.

979-YYY-020R121